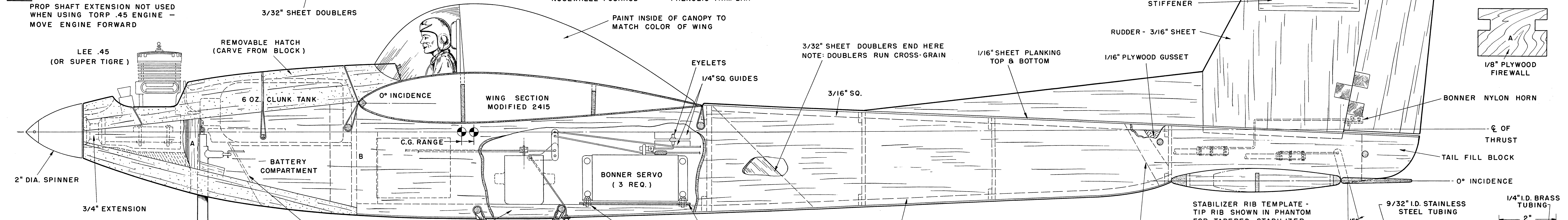
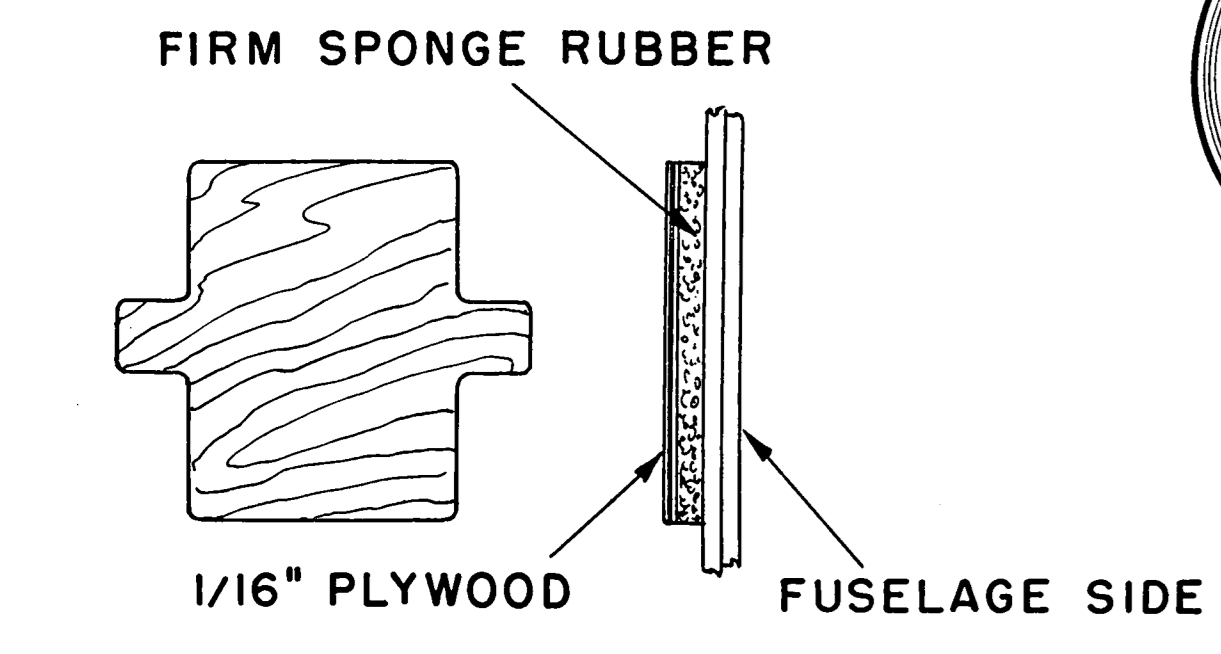


**NOTE:**  
 PROP SHAFT EXTENSION NOT USED WHEN USING TORP .45 ENGINE - MOVE ENGINE FORWARD

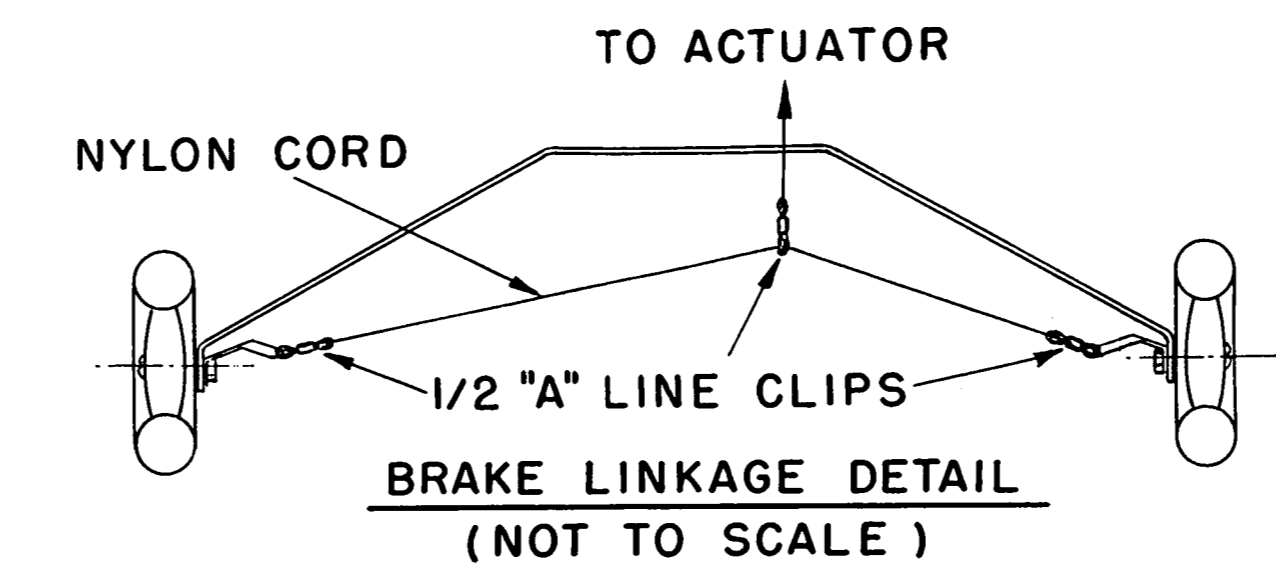
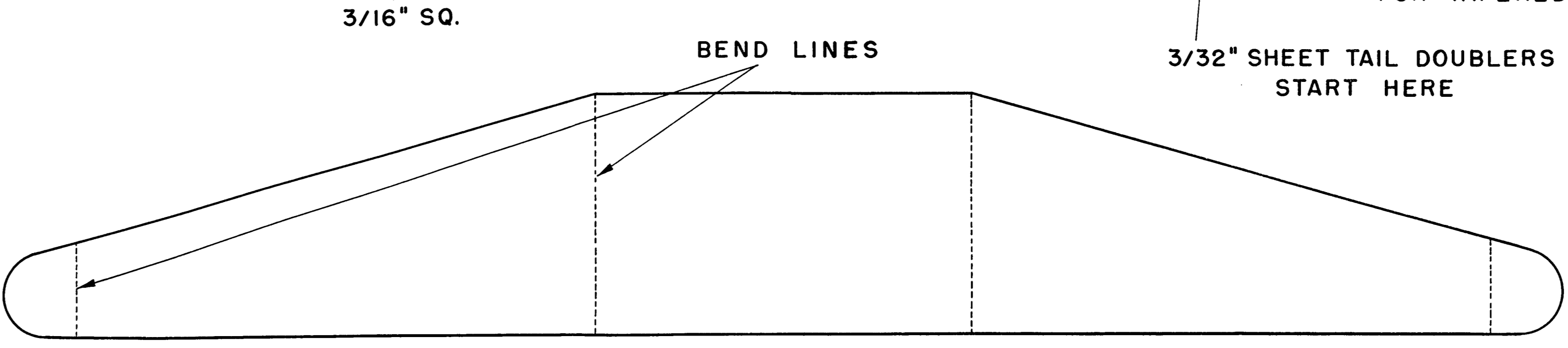
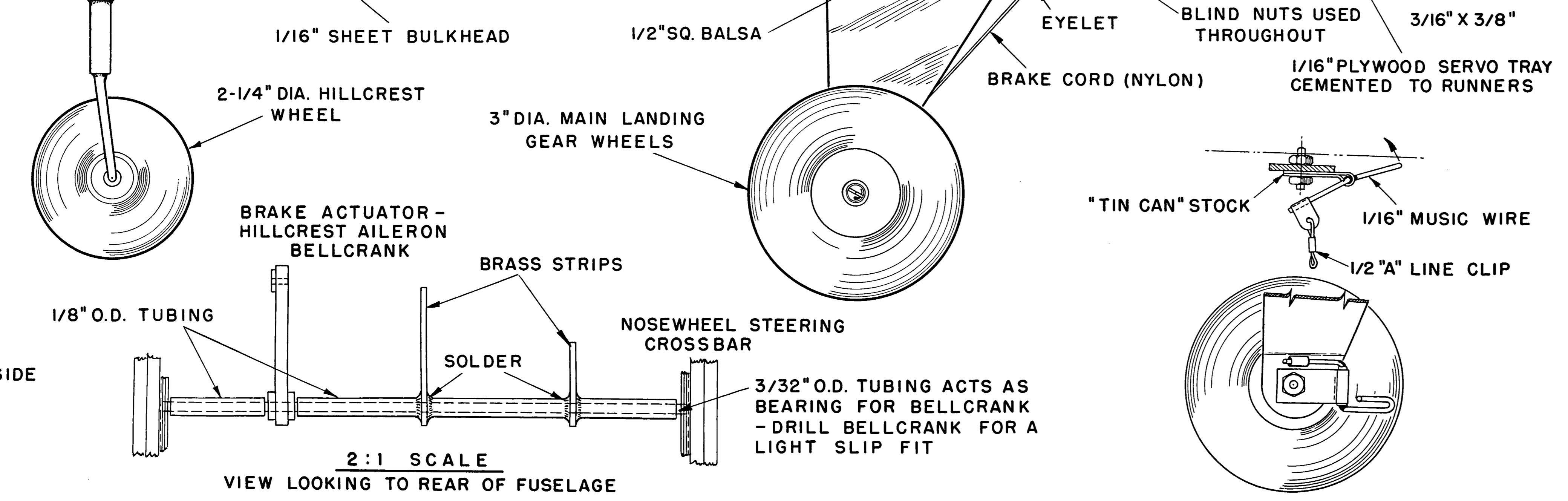


**NOTE:**  
 SEE TOP VIEW OF FUSELAGE FOR TOP VIEW OF NOSE GEAR

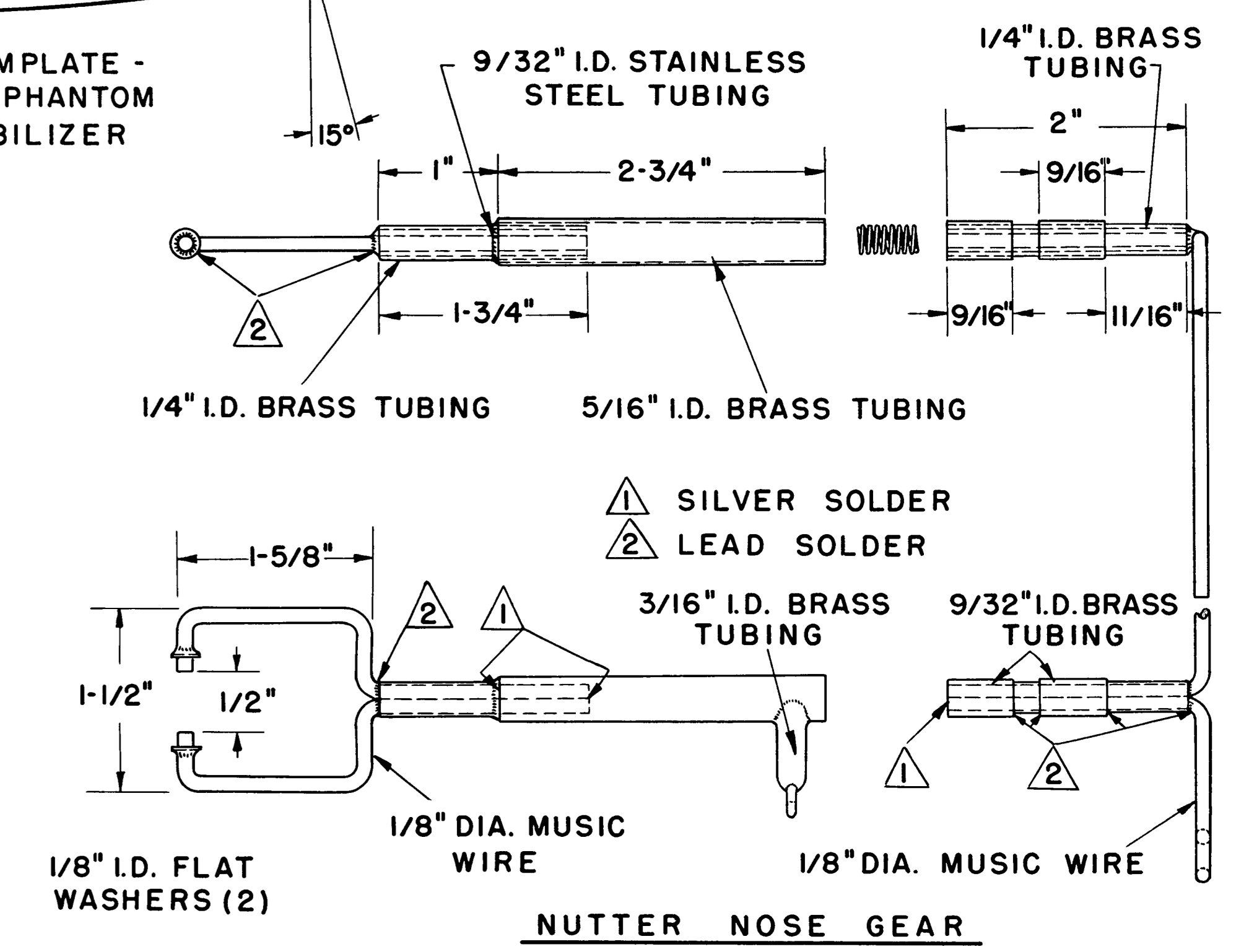
**HILLCREST ENGINE SERVO DETAIL**

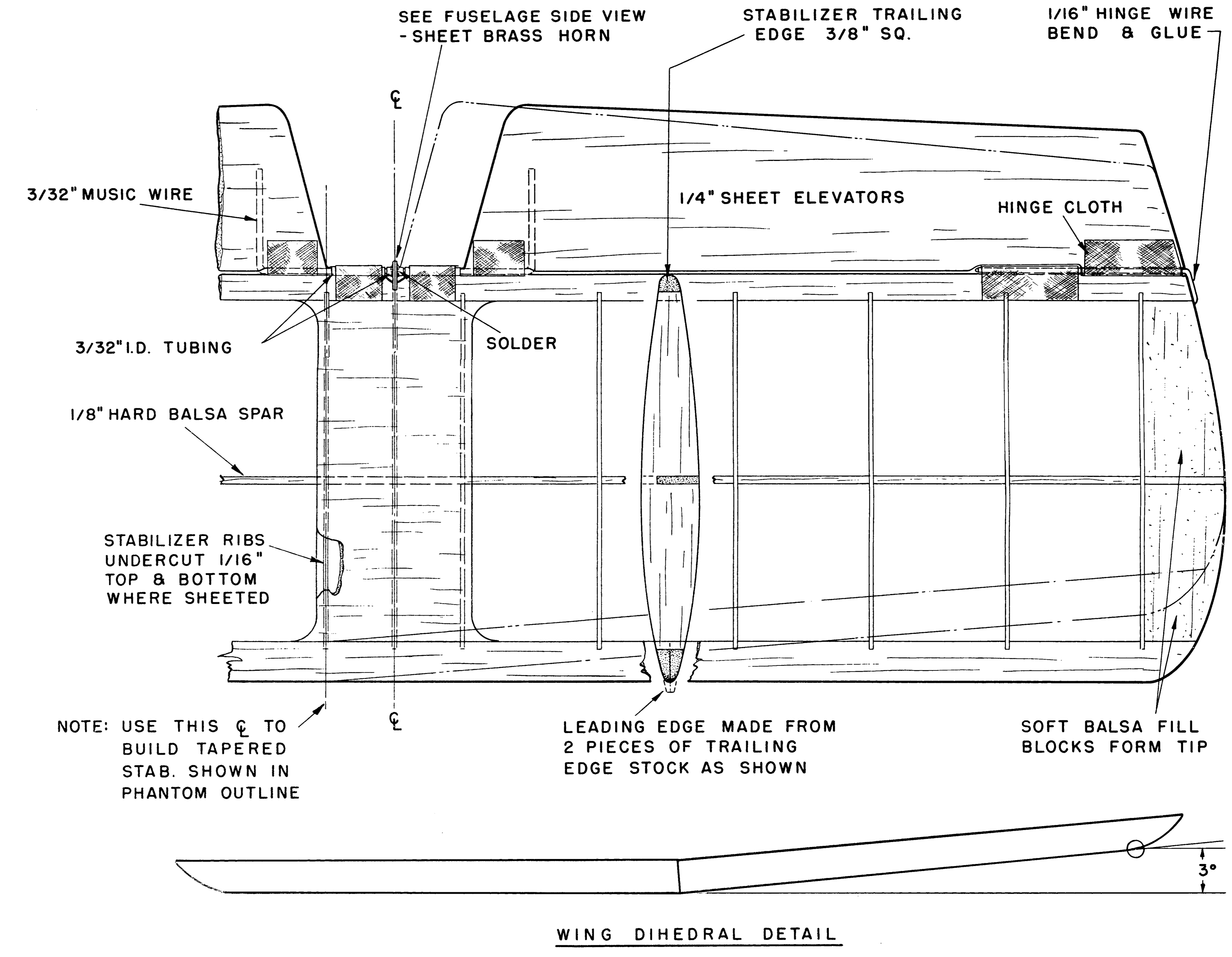
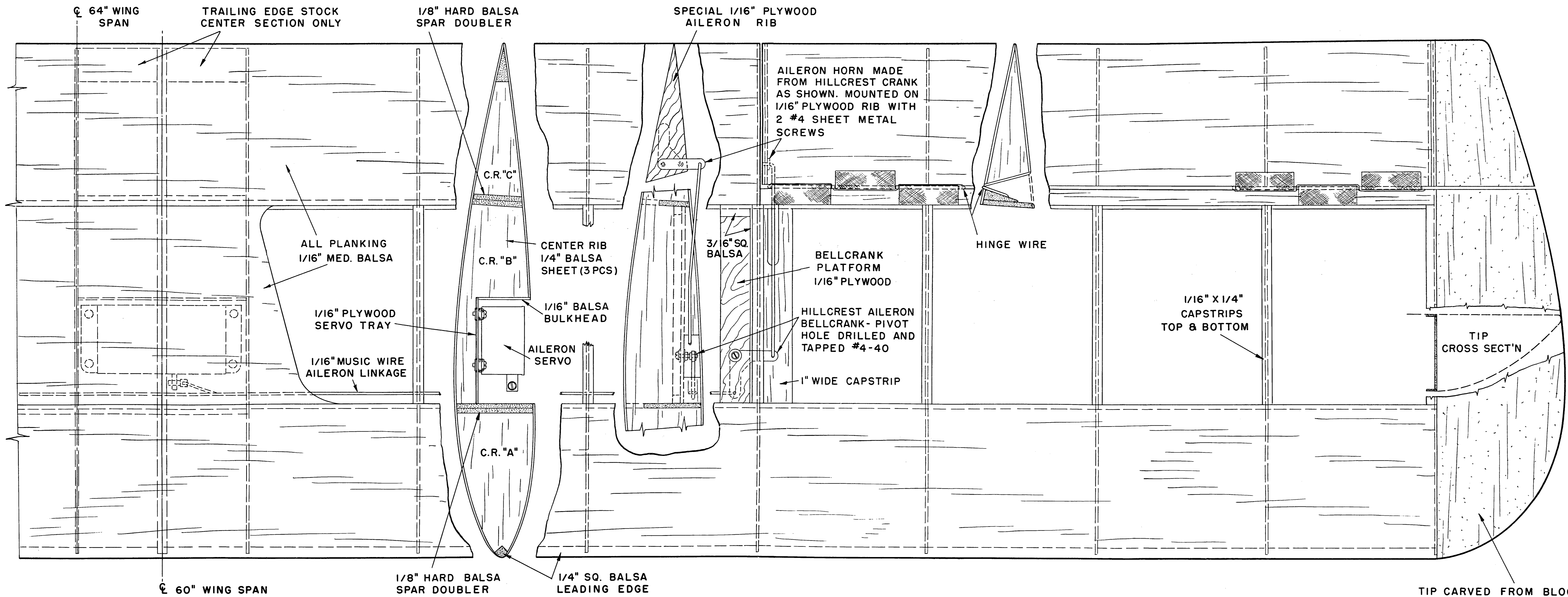


ASSEMBLY HELD TOGETHER WITH CONTACT CEMENT IN SANDWICH FASHION



**MAIN GEAR PATTERN**  
 2024-T3 ALUMINUM  
 .090 THICK





NOTE: USE THIS  $\phi$  TO BUILD TAPERED STAB. SHOWN IN PHANTOM OUTLINE