

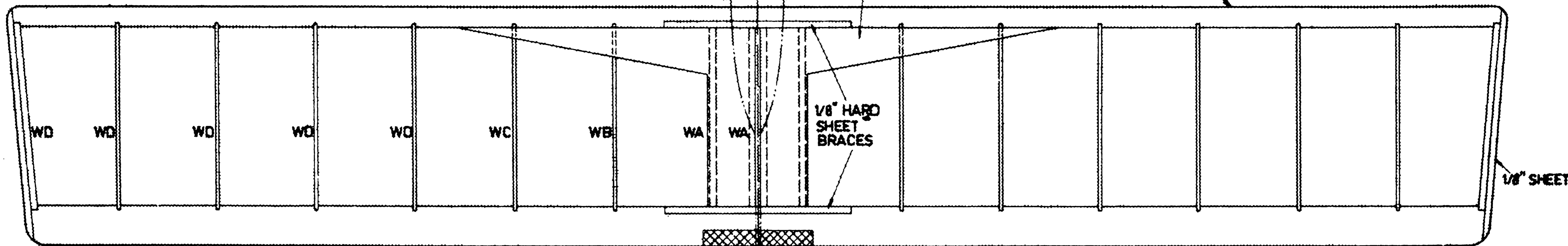
ALL WOOD IS BALSA EXCEPT WHERE NOTED

ENGINE NACELLE LOCATION  
TOP VIEW

1/32" SHEETING  
TOP & BOTTOM

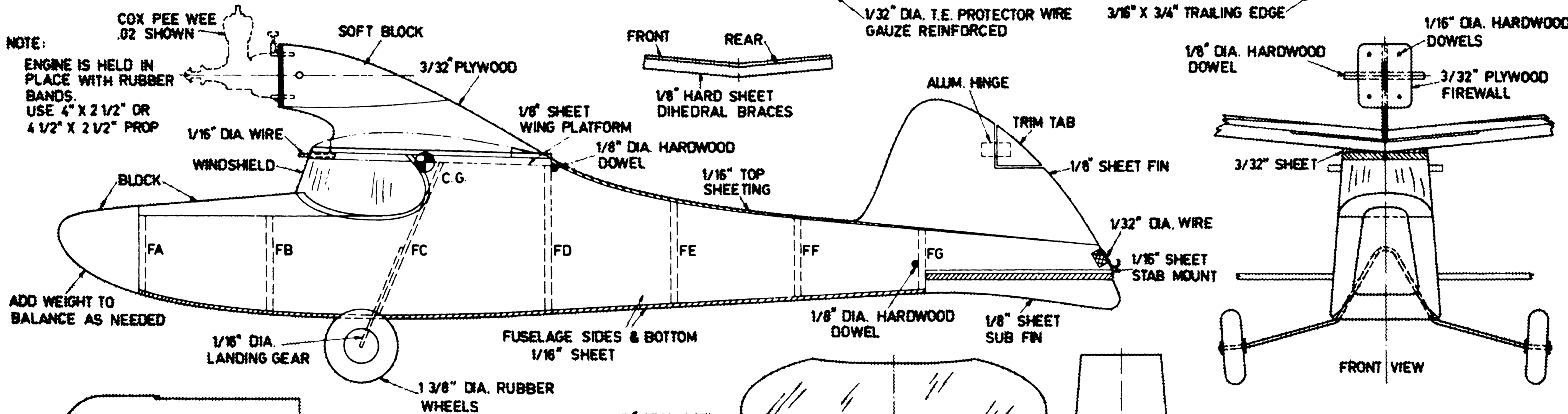
1/4" X 3/8" LEADING EDGE

1 3/8" DIHEDRAL  
UNDER EACH TIP

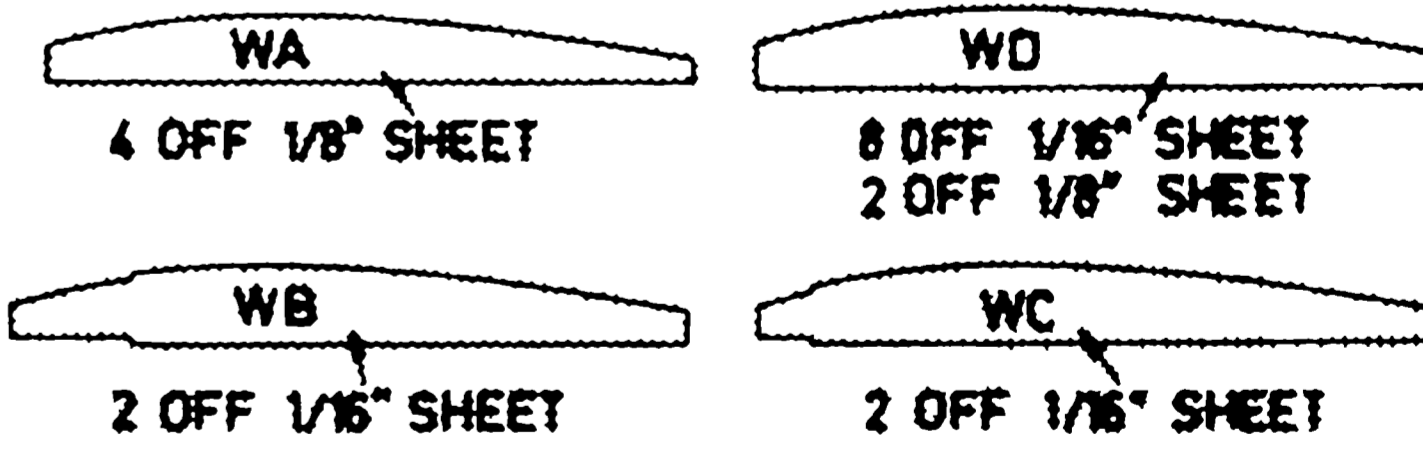
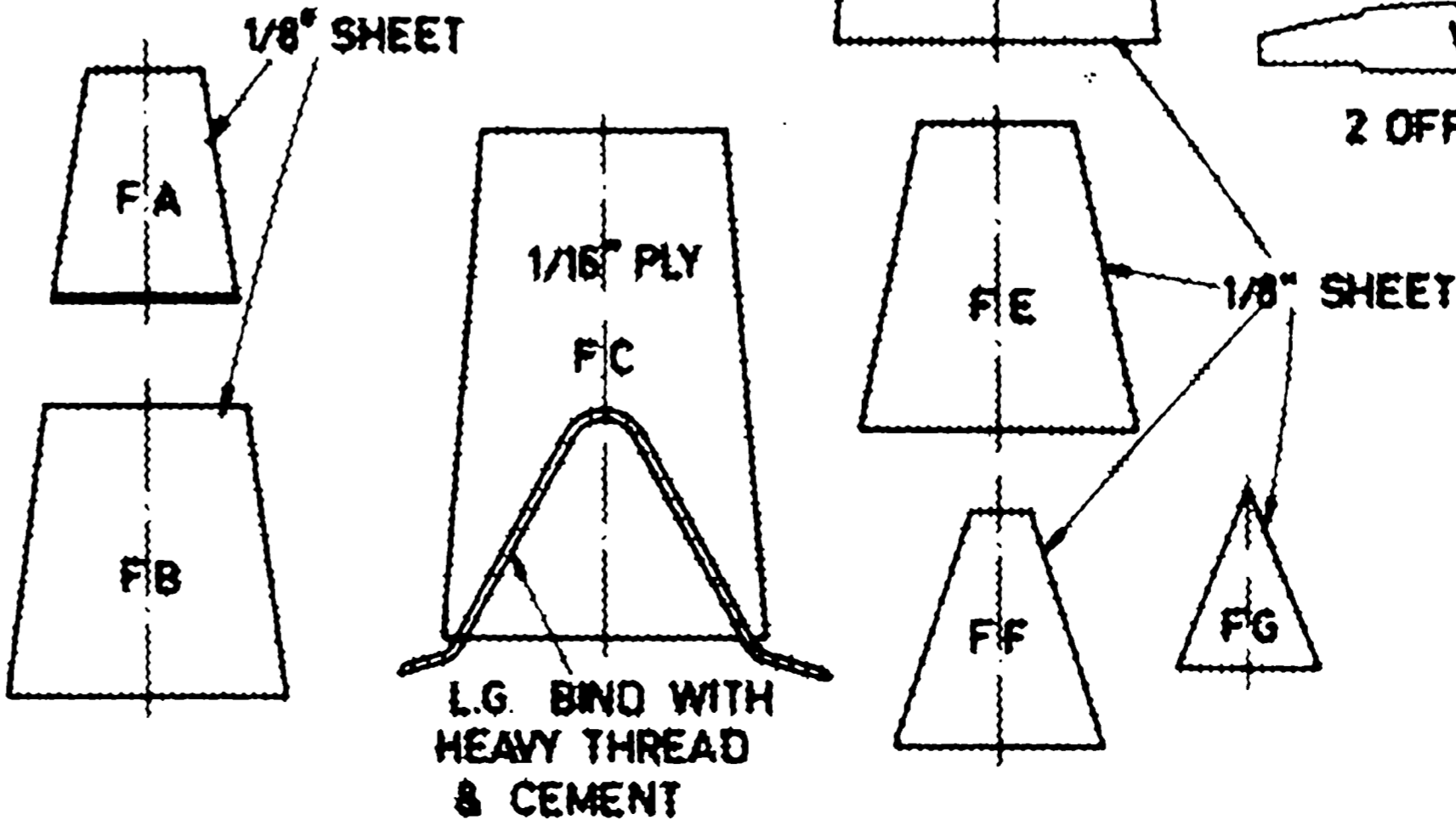
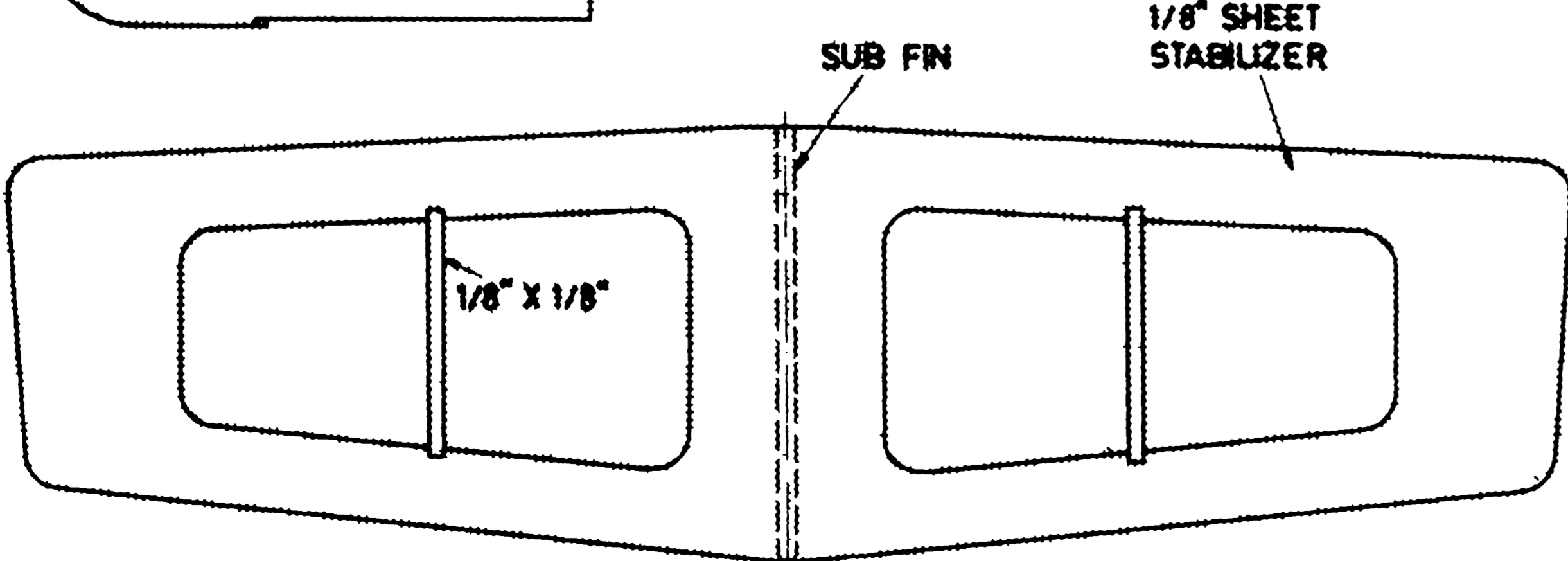
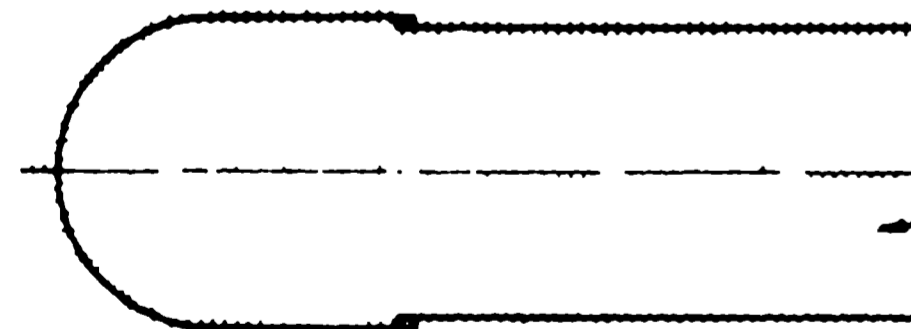


NOTE:

ENGINE IS HELD IN PLACE WITH RUBBER BANDS. USE 4" X 2 1/2" OR 4 1/2" X 2 1/2" PROP



ADD WEIGHT TO BALANCE AS NEEDED



DD  
虫  
CICADA  
DESIGNED & DRAWN BY  
HOH FANG-CHUN  
胡方俊