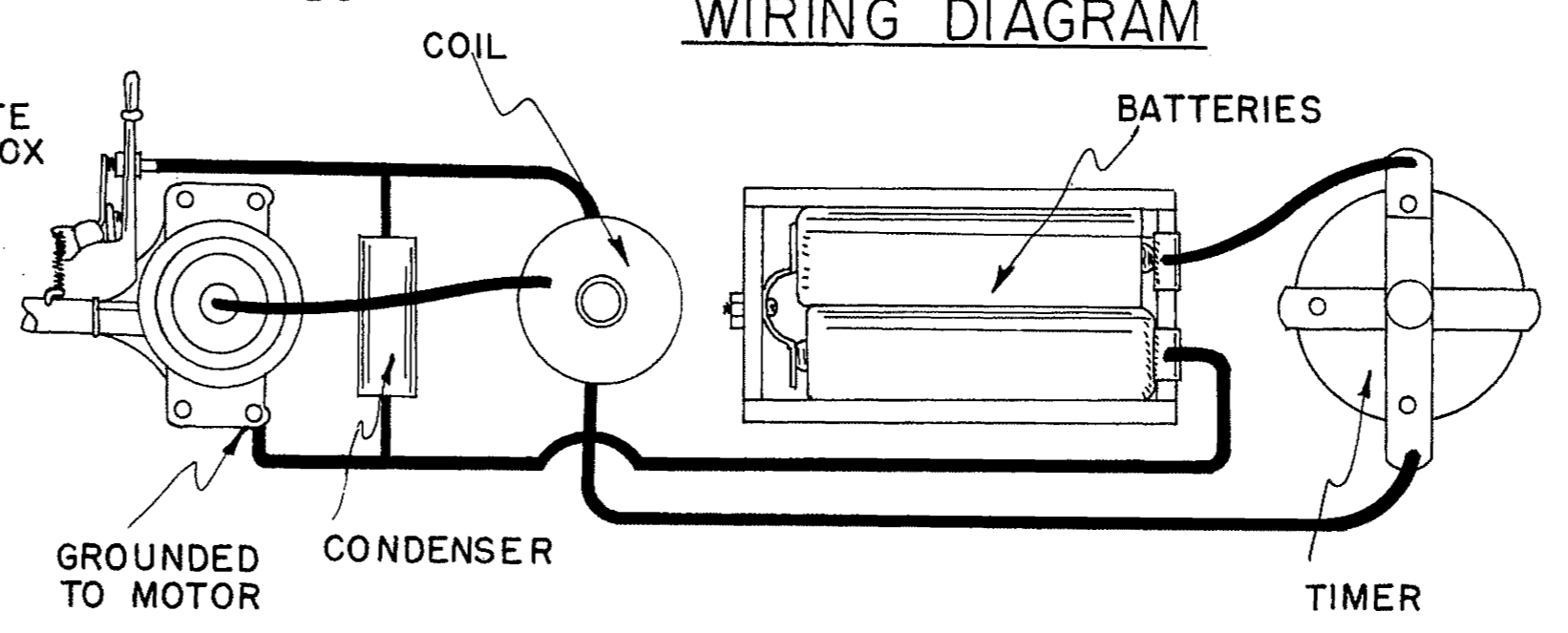
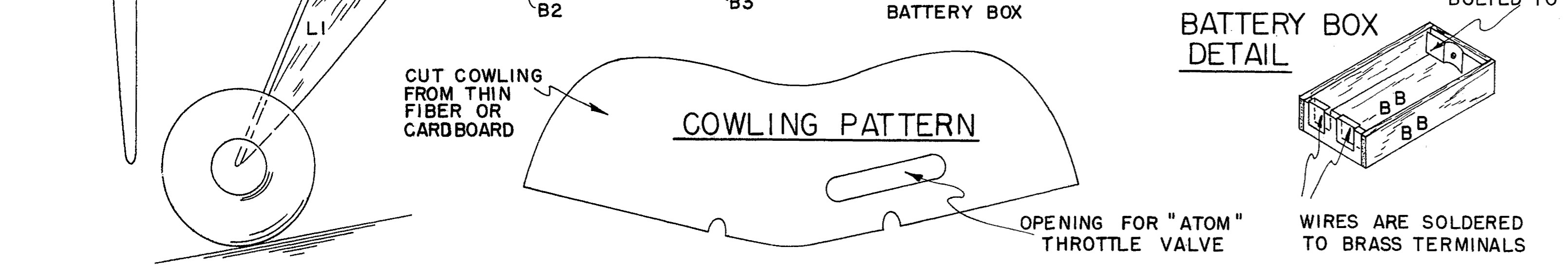
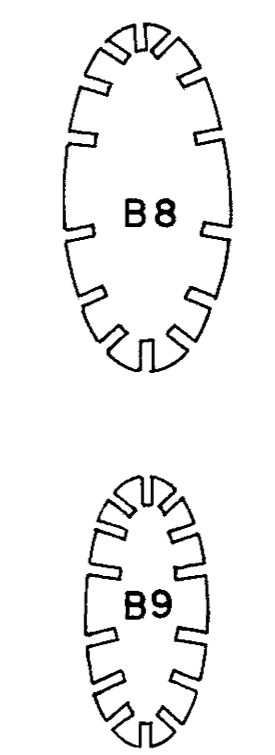
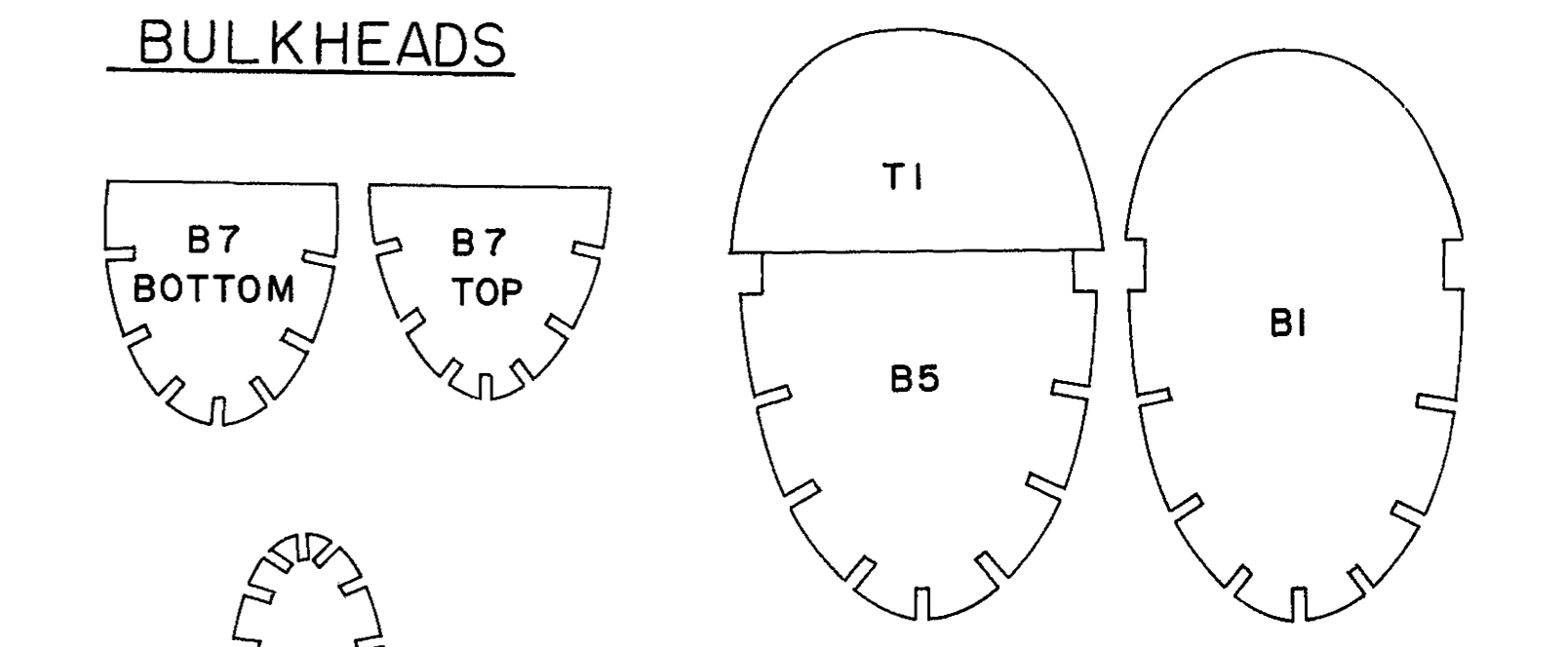
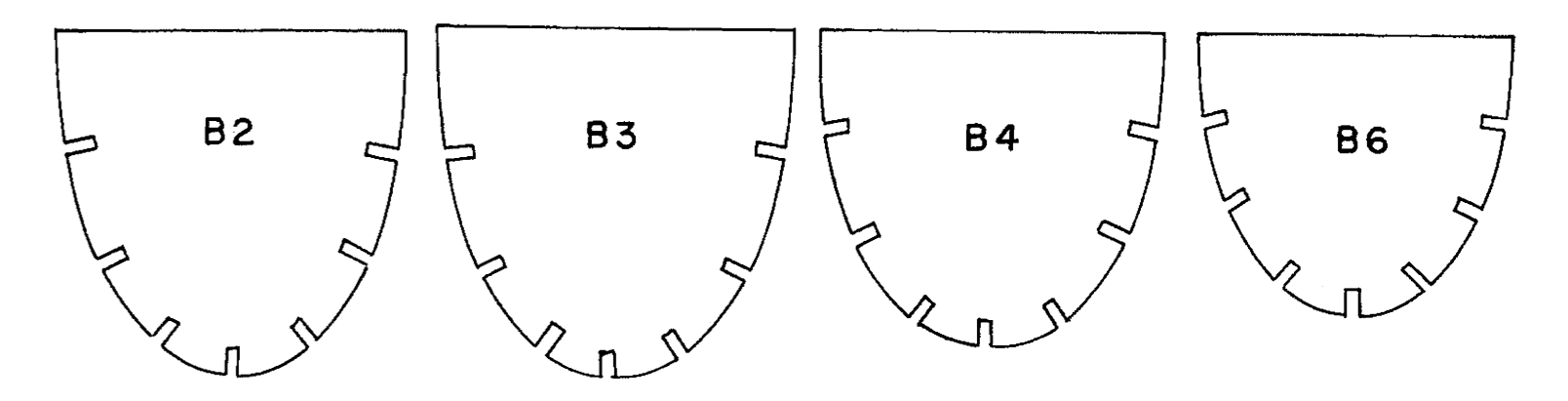
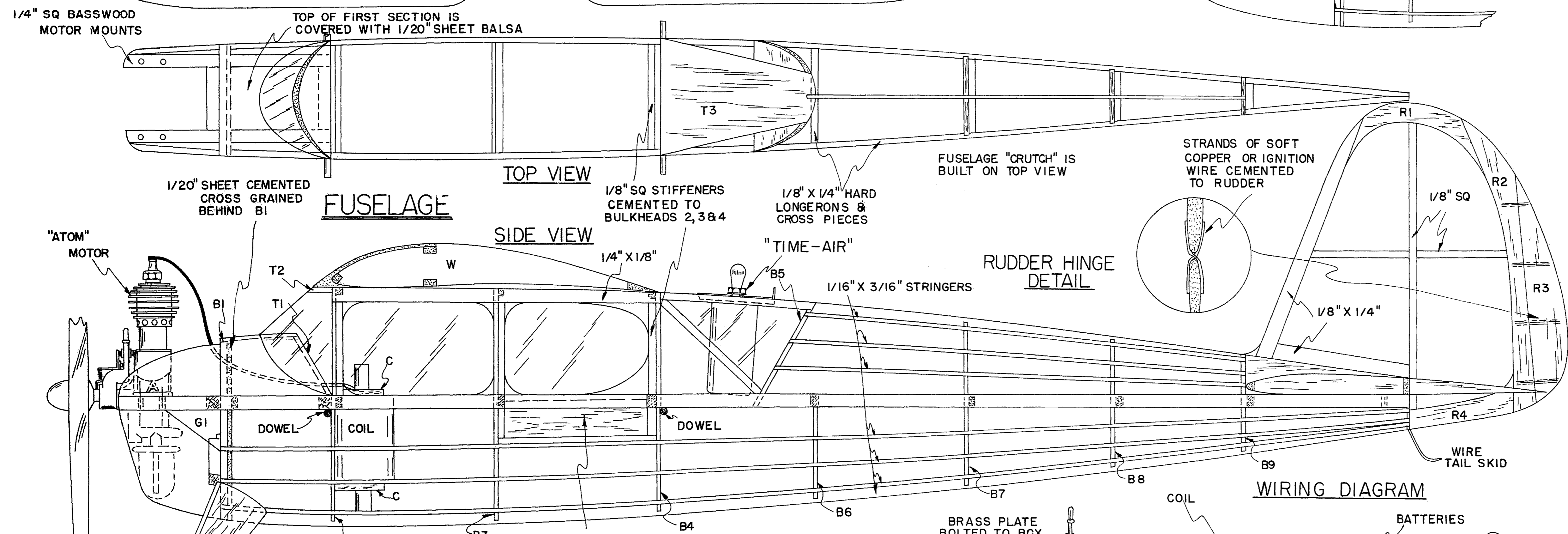
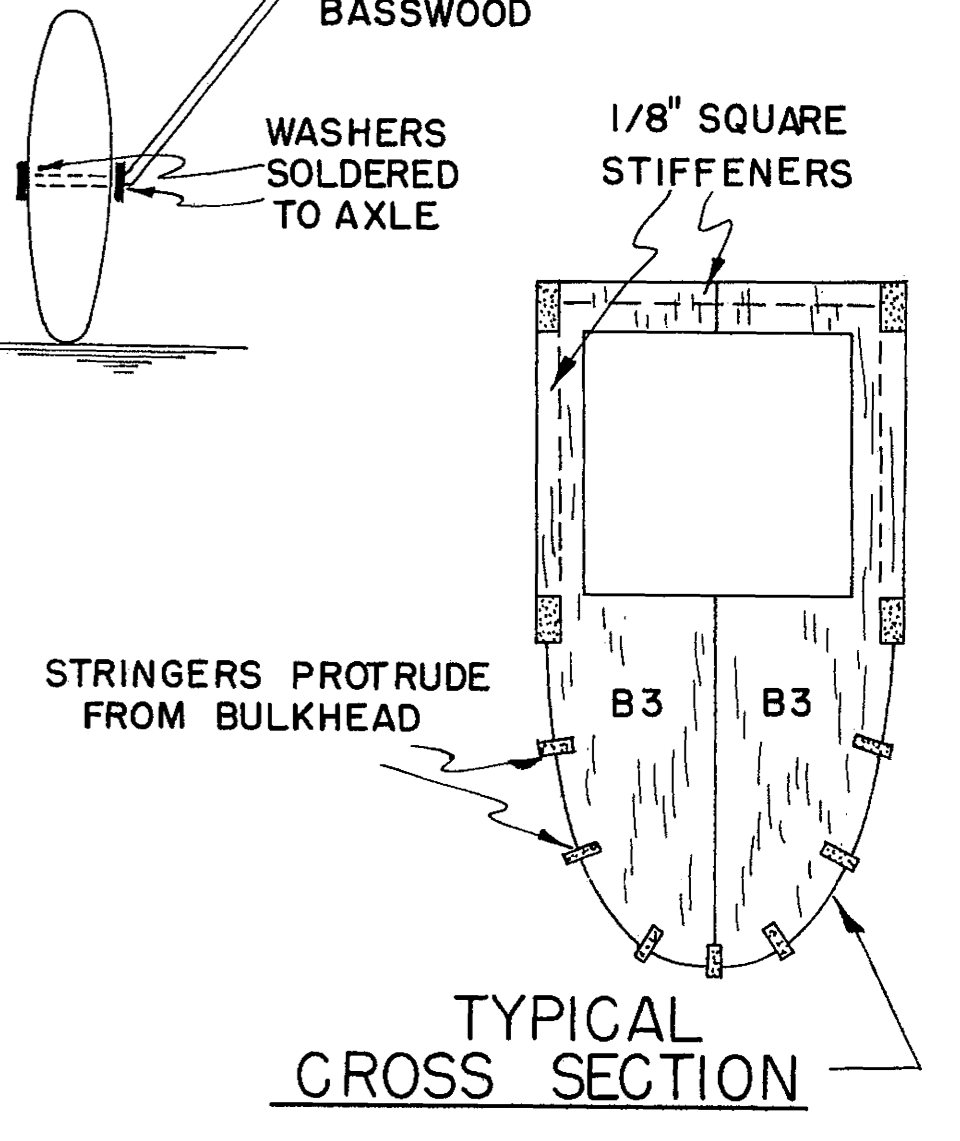


- TO INSTALL "MADEWELL"
1. BULKHEAD 1 IS MOVED BACK ONE INCH.
 2. THE MOTOR BEARERS ARE SPACED 1/4" WIDER.
 3. MOVE COIL & BATTERIES BACK FOR PROPER BALANCE (BALANCE MODEL AT SPAR)
 4. CUT HOLE IN B1 TO RELIEVE INTAKE AND FOR CHOKING MOTOR.



"BUCCANEER - 36"

WING SPAN ----- 36 INCHES

WING AREA ----- 180 SQ INCHES

MOTOR ----- ATOM OR MADEWELL

TOTAL WEIGHT ----- 10 OUNCES

BERKELEY MODELS, INC.

230 STEUBEN ST. BROOKLYN, N.Y.

COPYRIGHT 1940

INDICATES PRINTED PART OR SHEET COVERING

INDICATES END GRAIN