



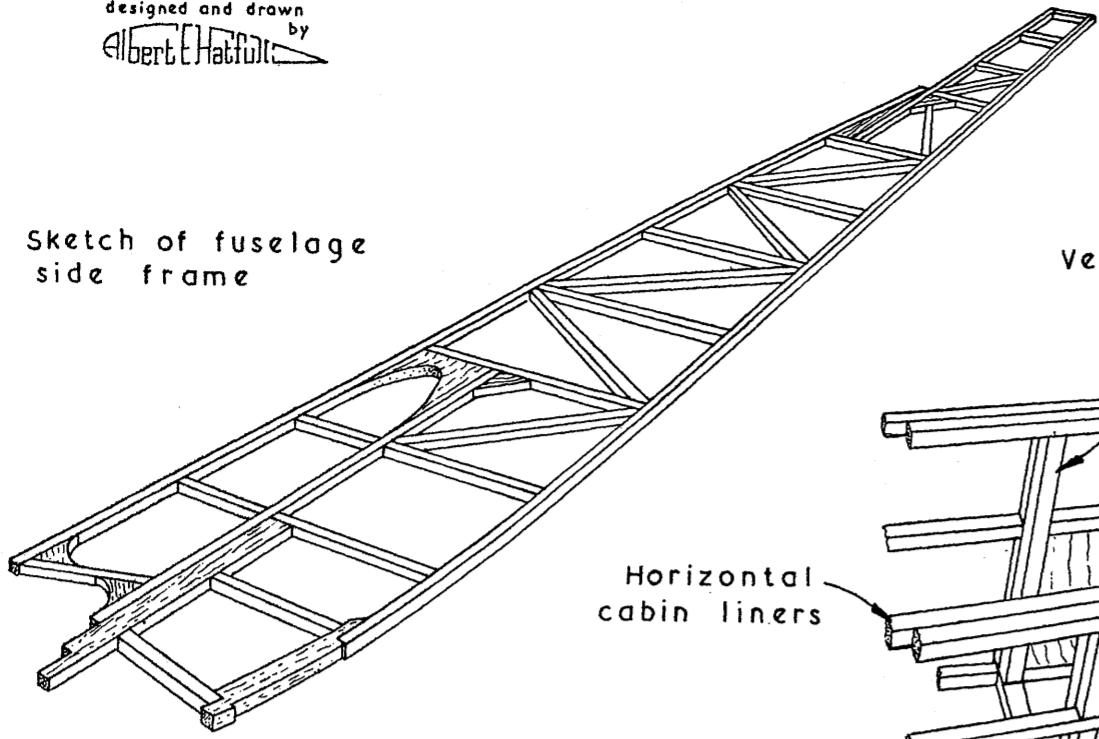
# JUNIOR 60

A 60" Wing span model  
for Radio control

designed and drawn  
by  
Albert E. Hatfull

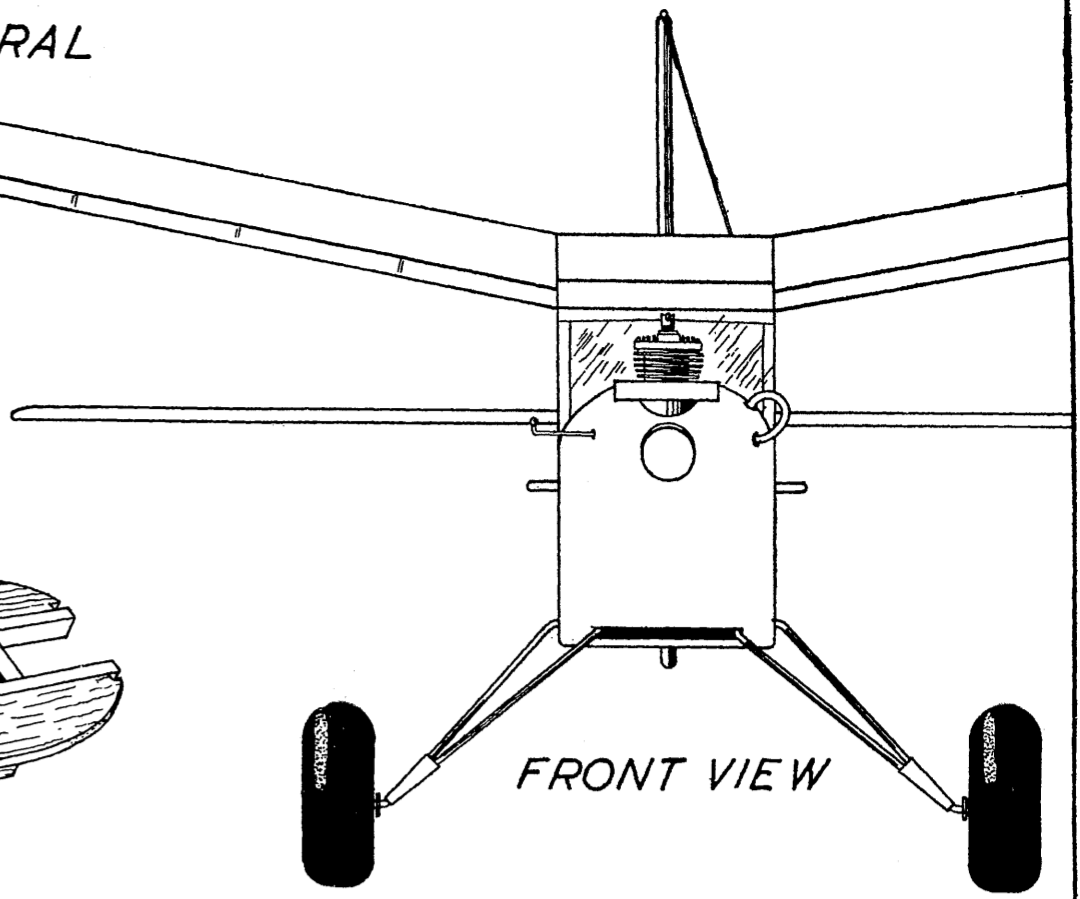
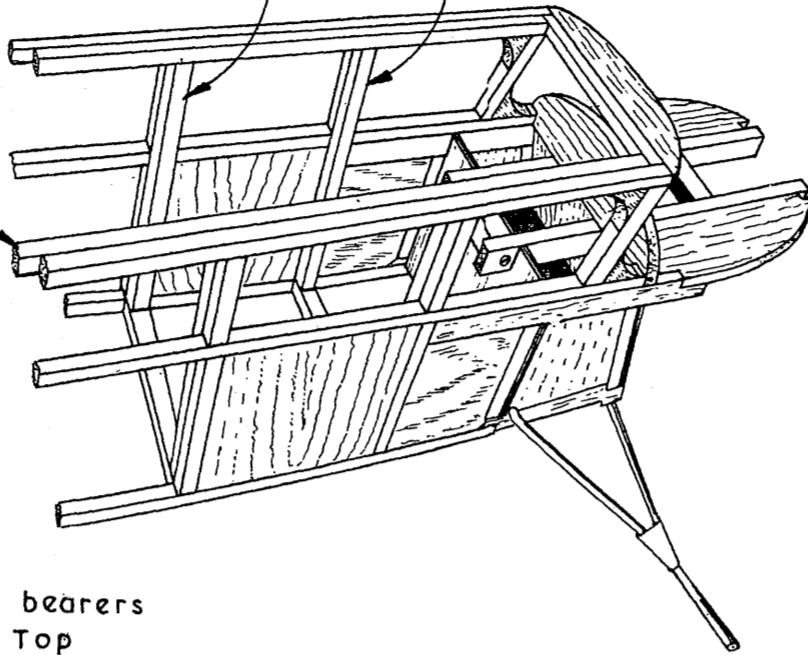
6" DIHEDRAL

Sketch of fuselage  
side frame

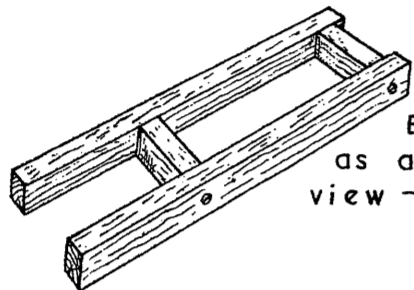


Vertical cabin liners

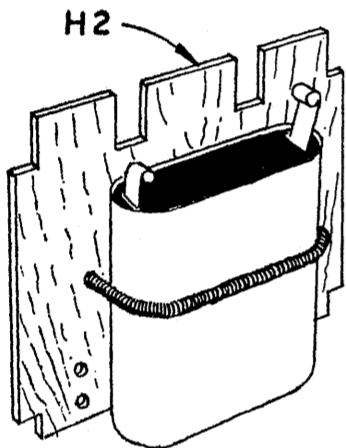
Horizontal  
cabin liners



FRONT VIEW



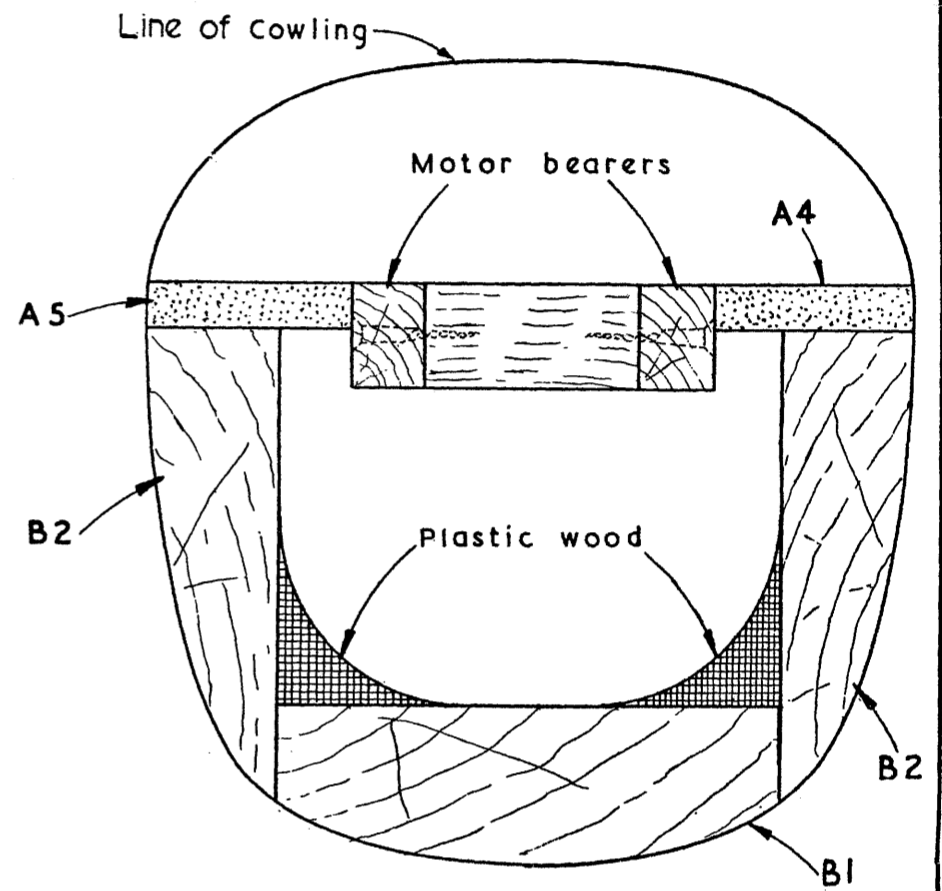
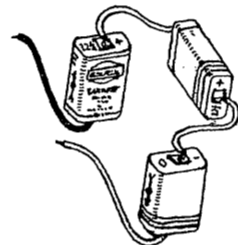
Build the motor bearers  
as a unit over the Top  
view - sheet 1



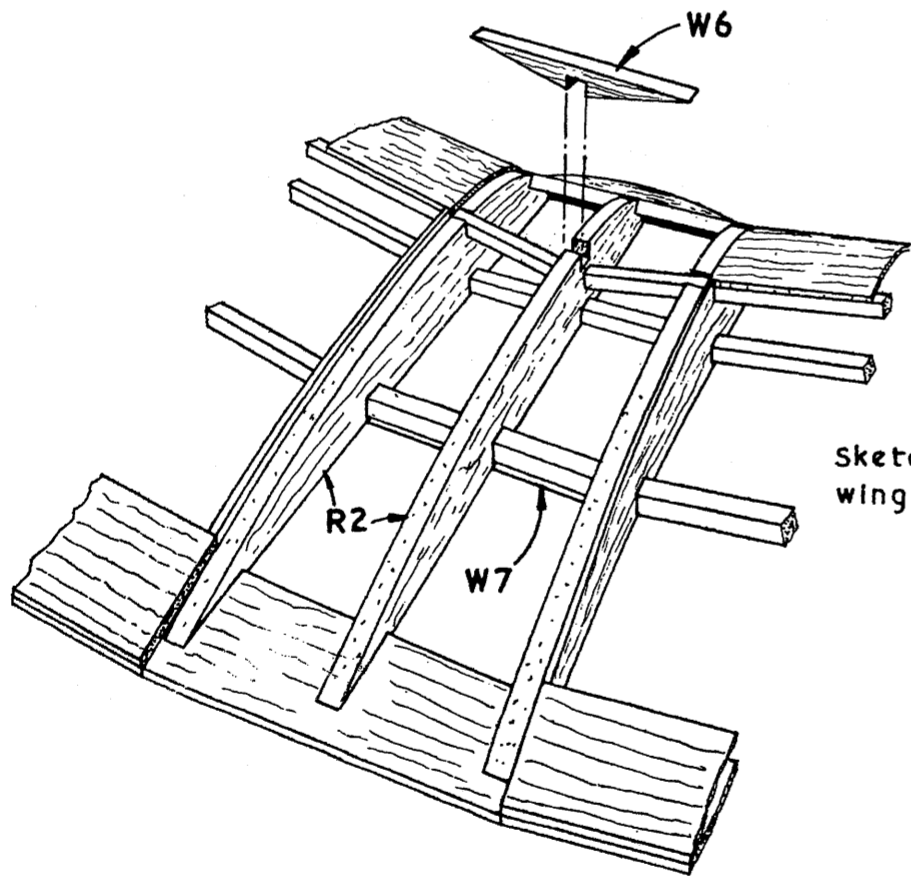
A piece of spring  
curtain rod or similar  
may be used to  
secure escapement  
battery to the rear  
face of H2



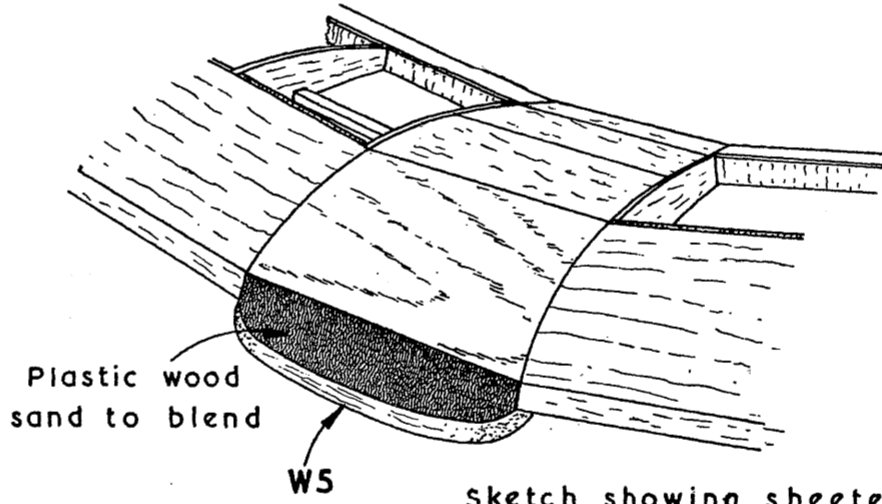
H.T. BATTERIES.  
Join two 30v. batteries for  
E.C.C. 951A. receiver.  
Three 22 1/2 v. batteries for  
951B. Mount centre one  
against rear of former A2.



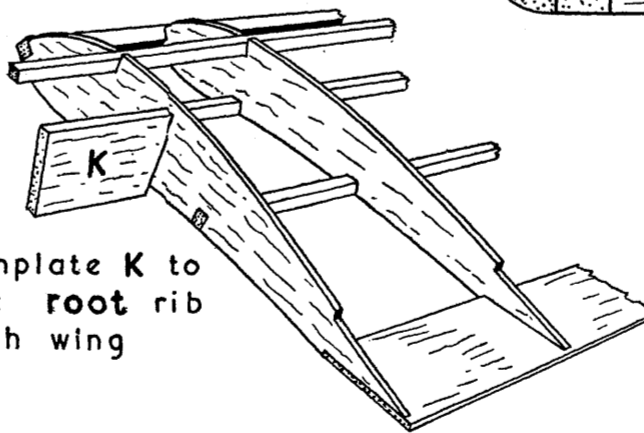
Section through nose  
on line V-V, sheet 1



Sketch showing join of  
wings to Centre section



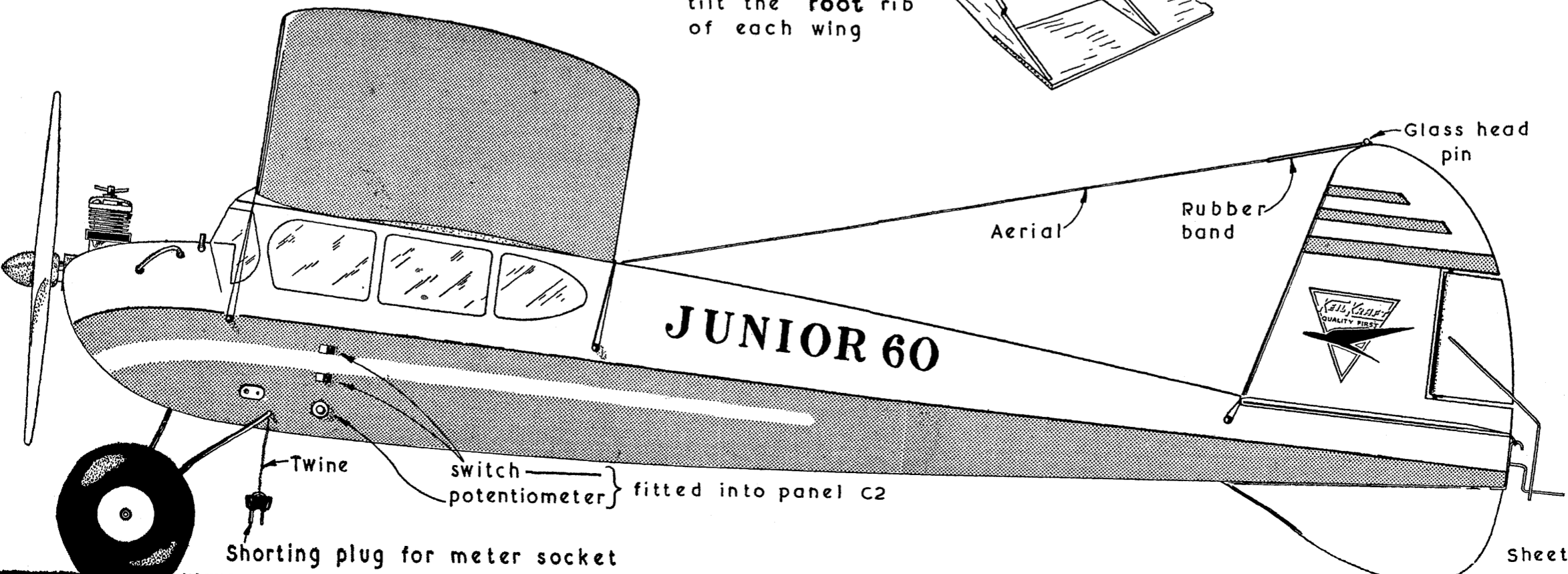
Sketch showing sheeted  
centre section and plastic  
wood fairing over W5.



Use template K to  
tilt the root rib  
of each wing



Typical fin section.



Shorting plug for meter socket