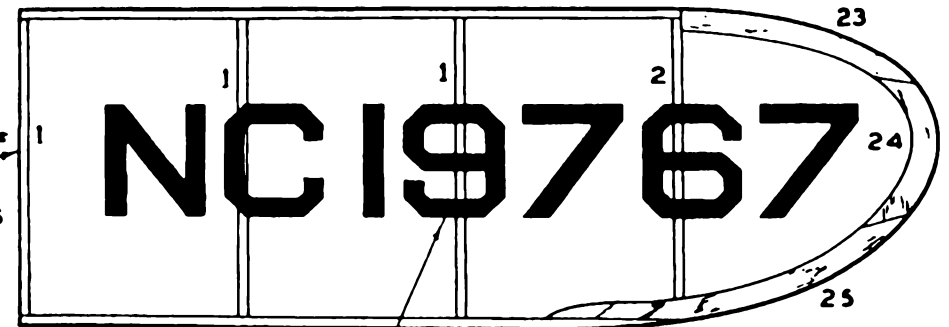
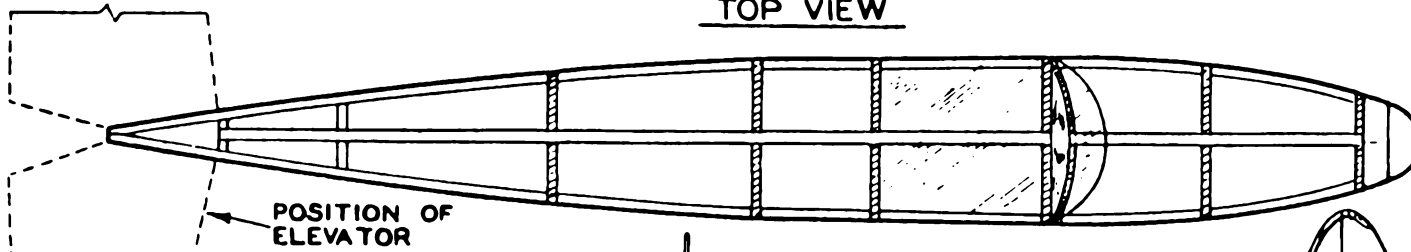


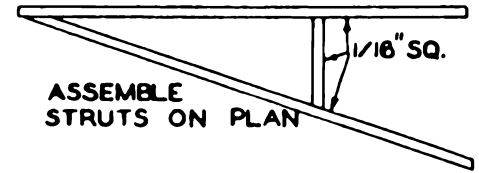
TOP VIEW



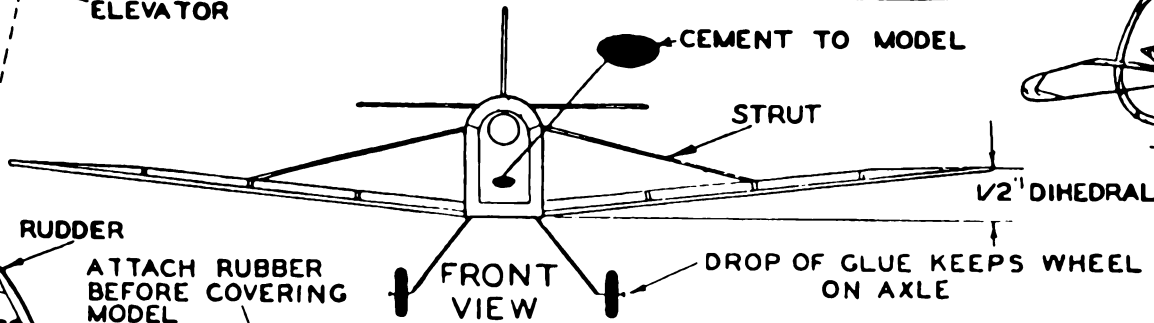
CUT LICENSE NUMBERS FROM PLAN



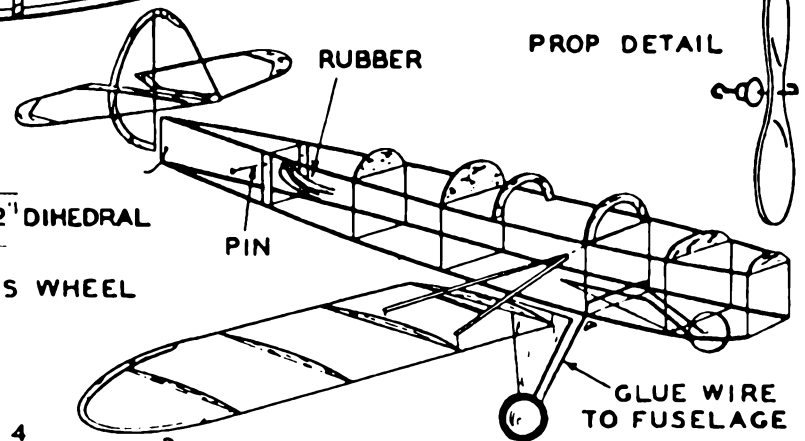
POSITION OF ELEVATOR



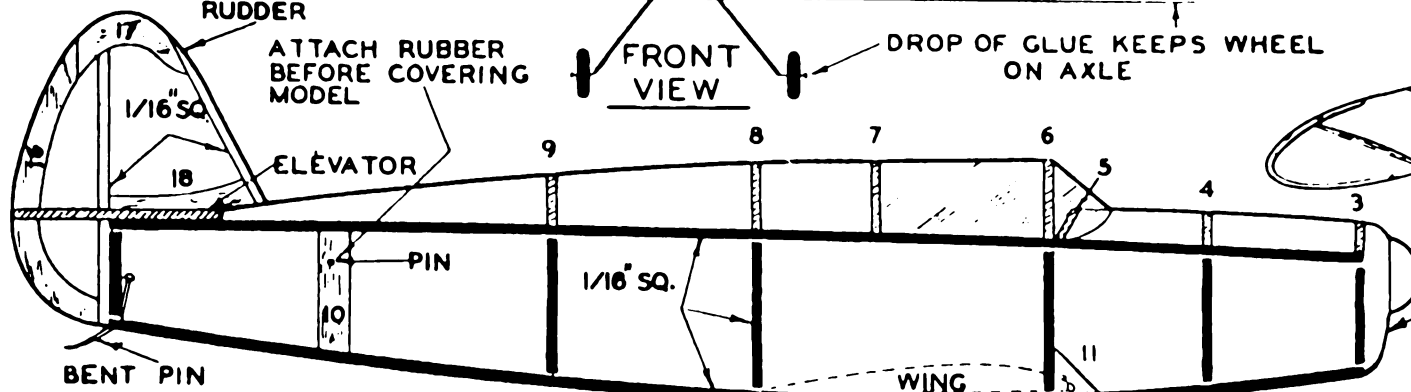
ASSEMBLE STRUTS ON PLAN



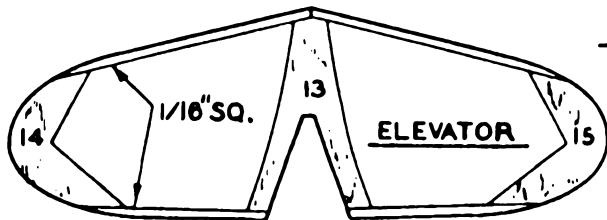
FRONT VIEW



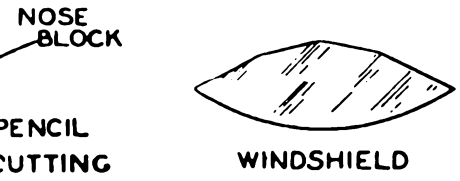
PROP DETAIL



SIDE VIEW



ELEVATOR



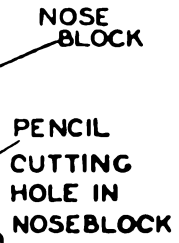
WINDSHIELD



WIRE LANDING GEAR



INSTRUMENT PANEL
GLUED TO NO. 5



NOSE BLOCK

PENCIL CUTTING HOLE IN NOSEBLOCK

MILLER RACER

WING SPAN 10" LENGTH 7-1/8"

DRAWN BY Edward Lidgard KIT NOW 7