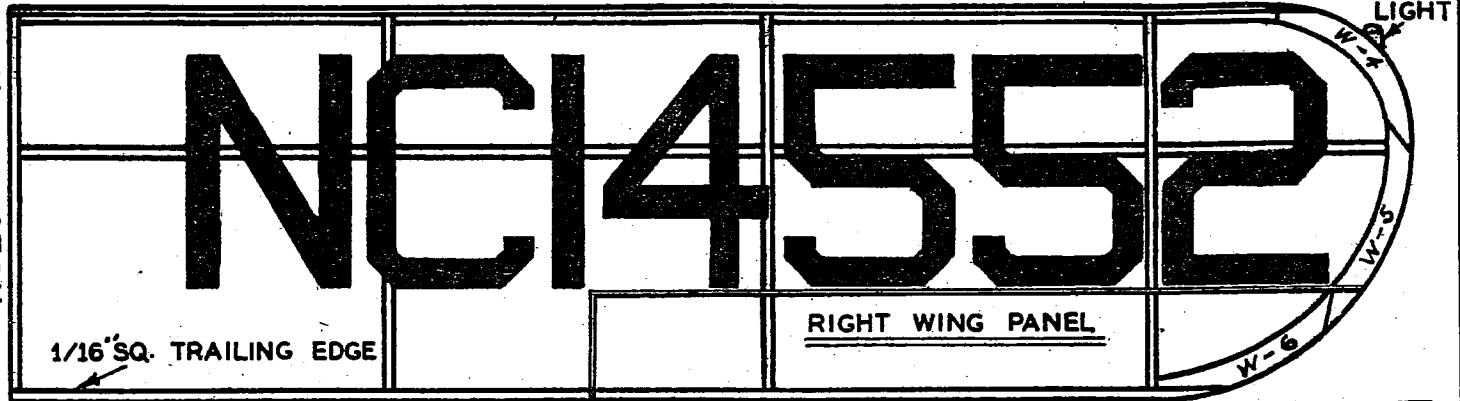
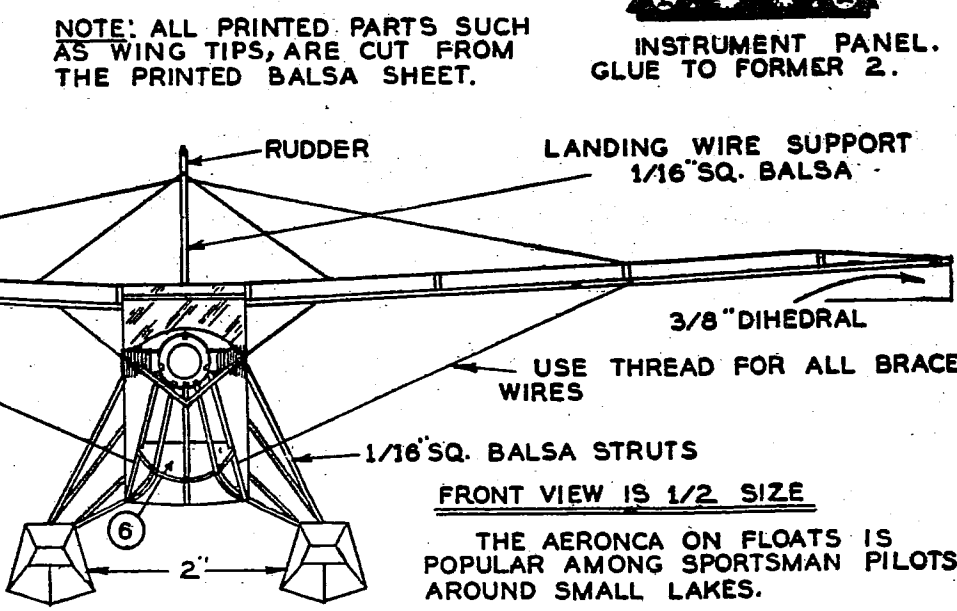
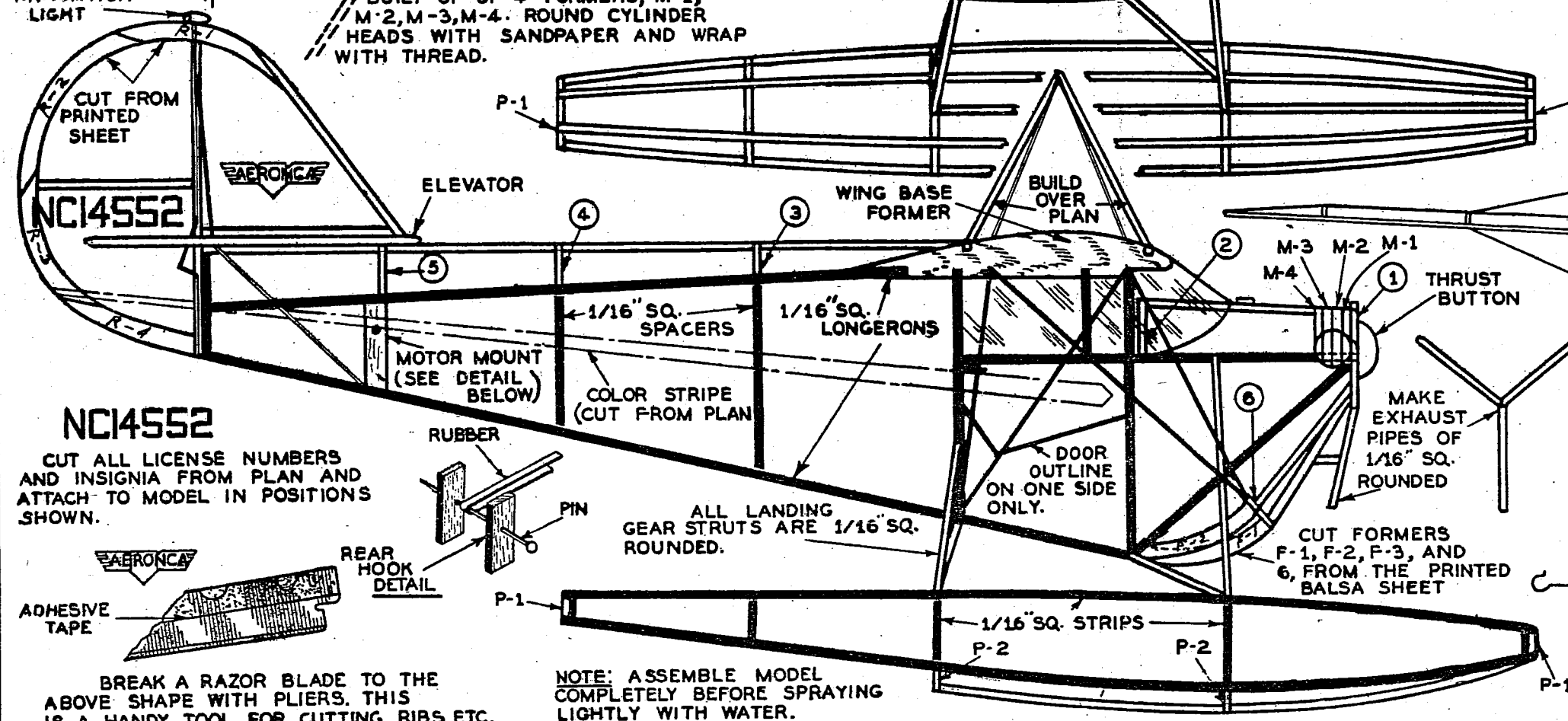
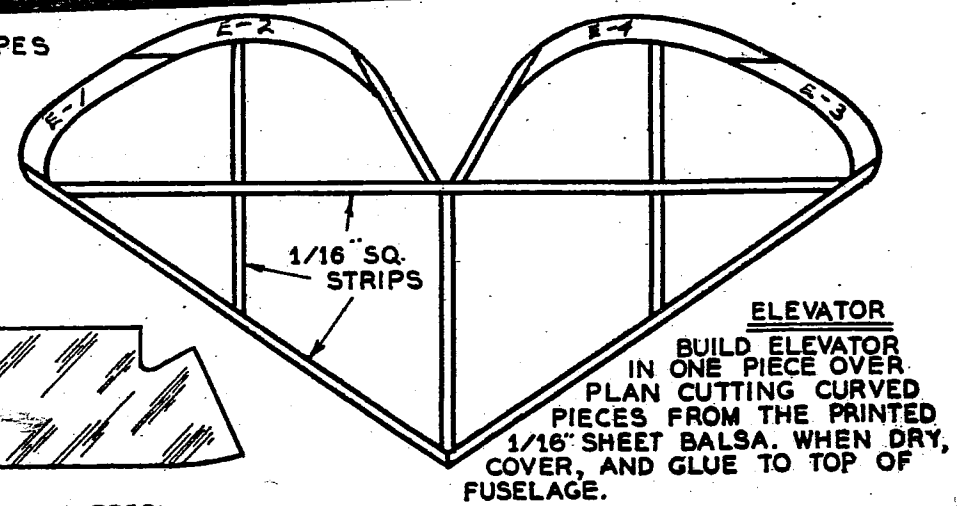
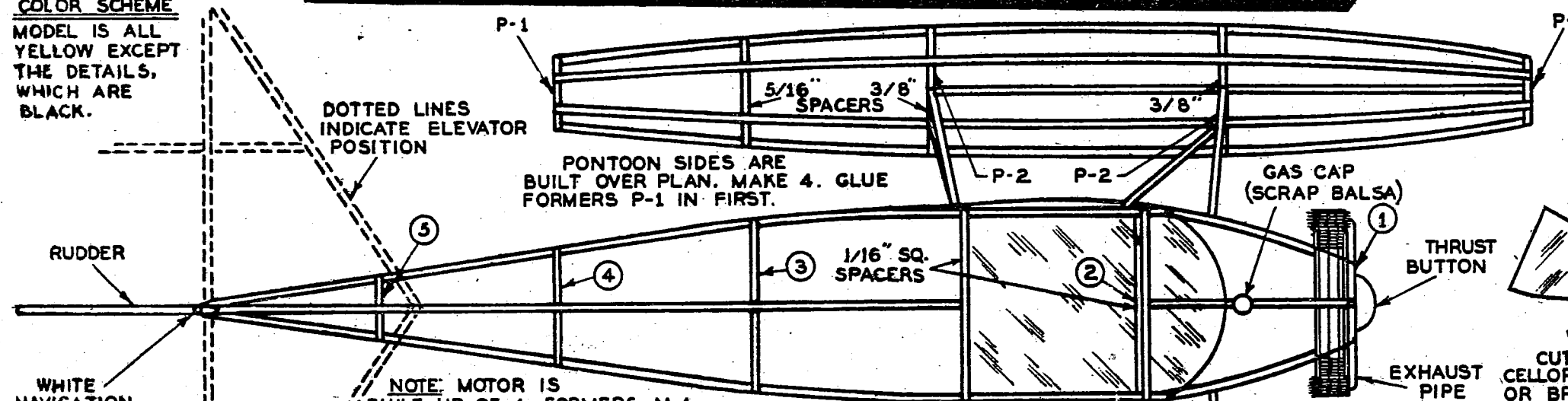


WINGS
 THE WINGS ARE CONSTRUCTED OVER PLAN. GLUE CENTER SPAR IN PLACE AFTER WING IS REMOVED FROM PLAN. GLUE TO THE WING BASE FORMER COVER WINGS ON TOP SIDE ONLY.



NOTE: ALL CONTROL SURFACES, DOOR OUTLINES, ETC. ARE REPRESENTED BY THE BORDERLINE CUT FROM THE PLAN OR THREAD GLUED IN PLACE.

COLOR SCHEME
 MODEL IS ALL YELLOW EXCEPT THE DETAILS, WHICH ARE BLACK.



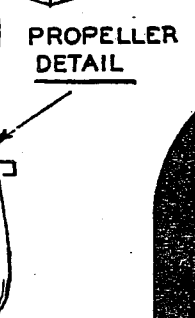
NCI4552

CUT ALL LICENSE NUMBERS AND INSIGNIA FROM PLAN AND ATTACH TO MODEL IN POSITIONS SHOWN.



BREAK A RAZOR BLADE TO THE ABOVE SHAPE WITH PLIERS. THIS IS A HANDY TOOL FOR CUTTING RIBS, ETC.

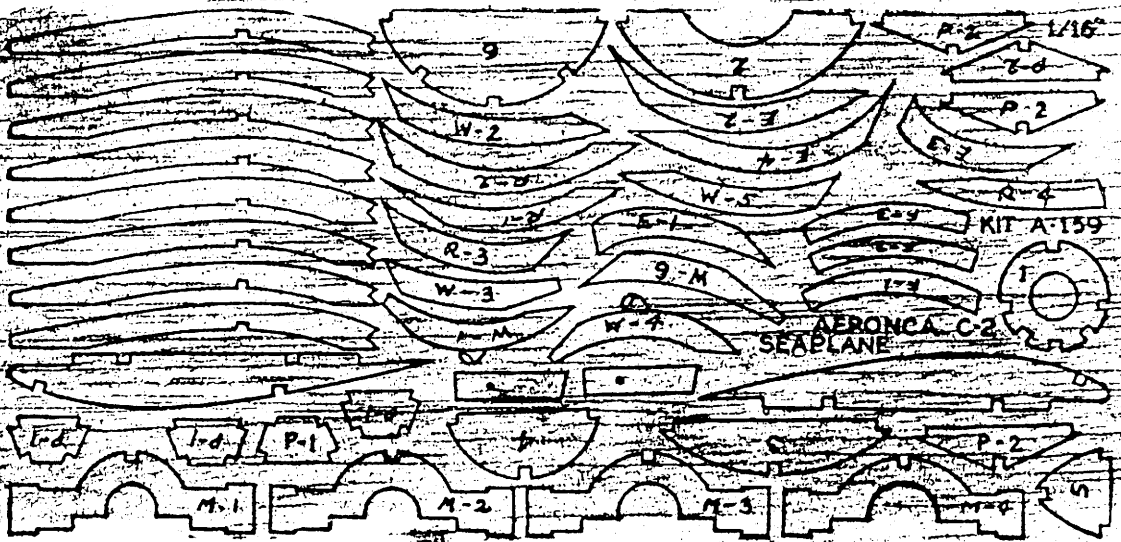
NOTE: ASSEMBLE MODEL COMPLETELY BEFORE SPRAYING LIGHTLY WITH WATER.



AERONCA SEAPLANE

WINGSPAN - 16" | **LENGTH - 9-3/8"**

DRAWN BY Joe Stanger | **LETTERED BY Joe Stanger**



KIT A-159

AERONCA C-2
SEAPLANE