

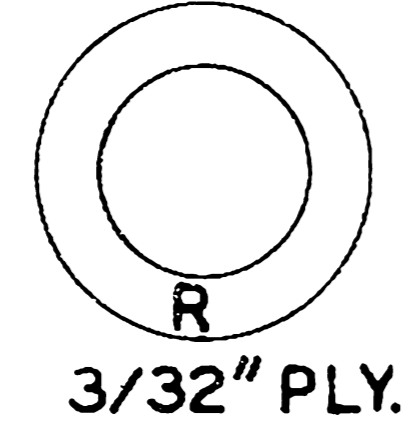
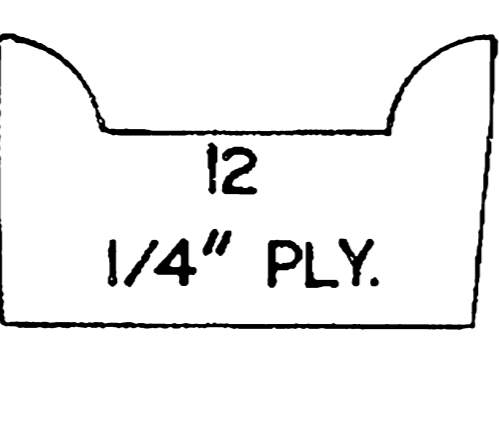
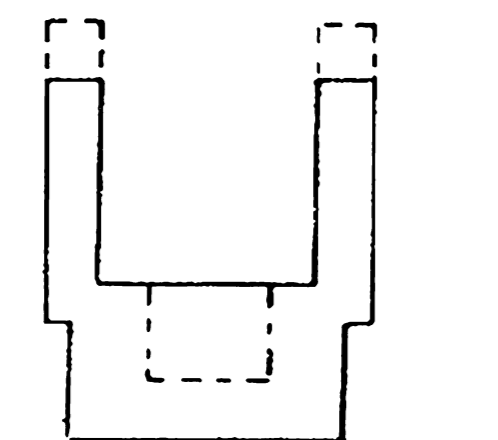
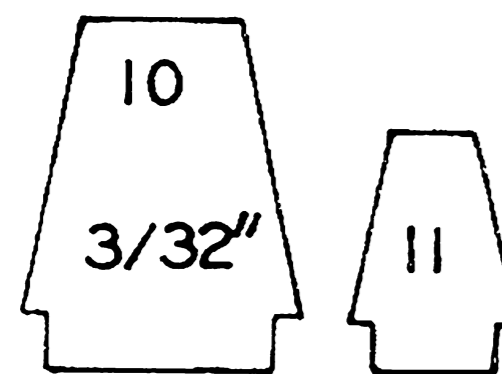
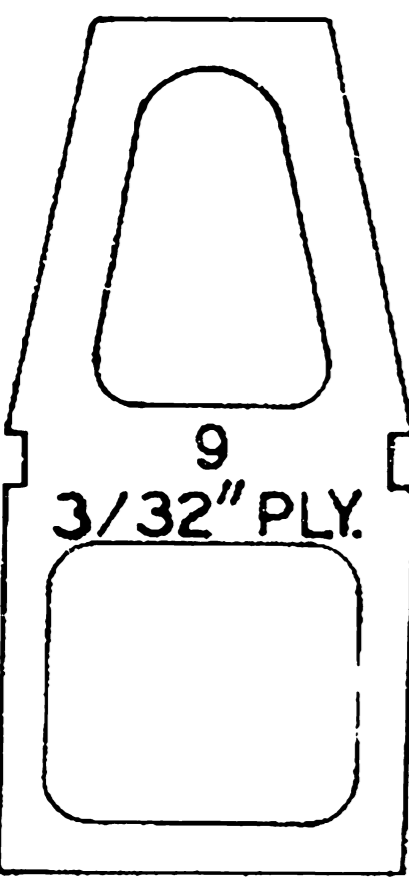
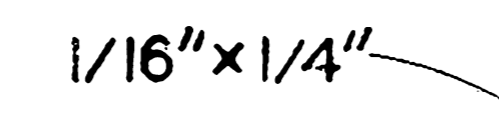
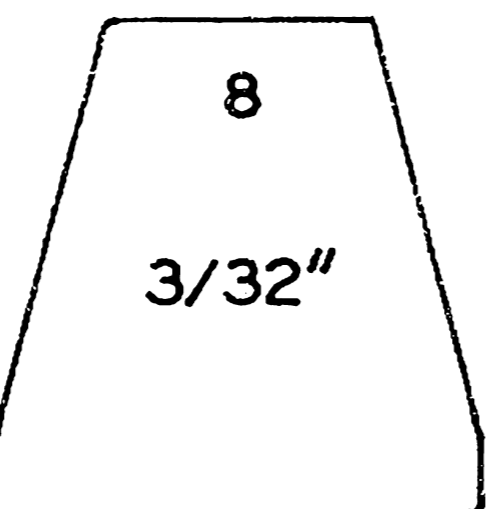
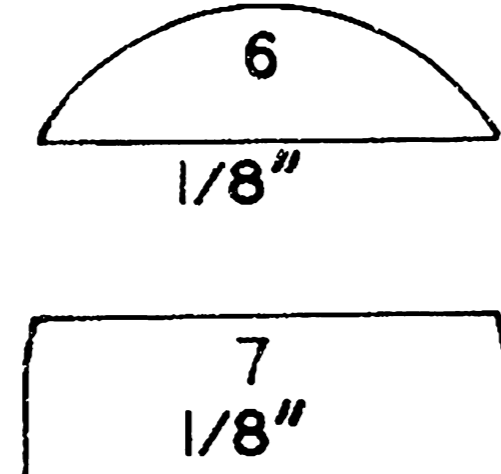
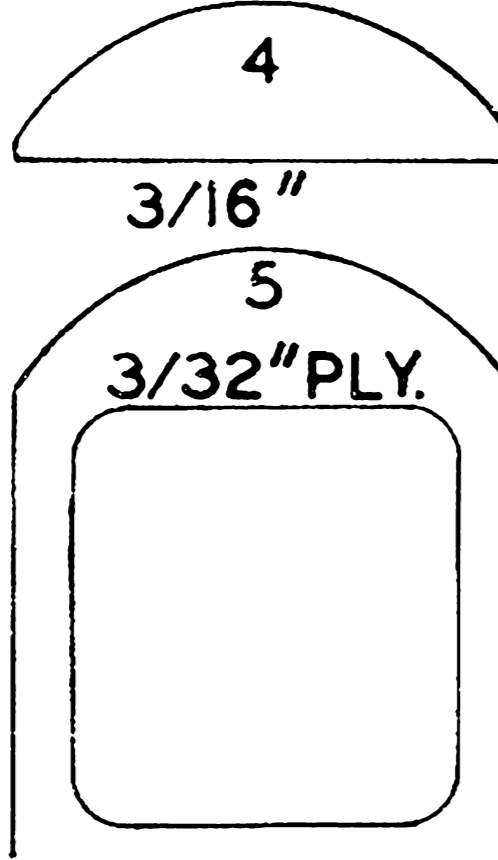
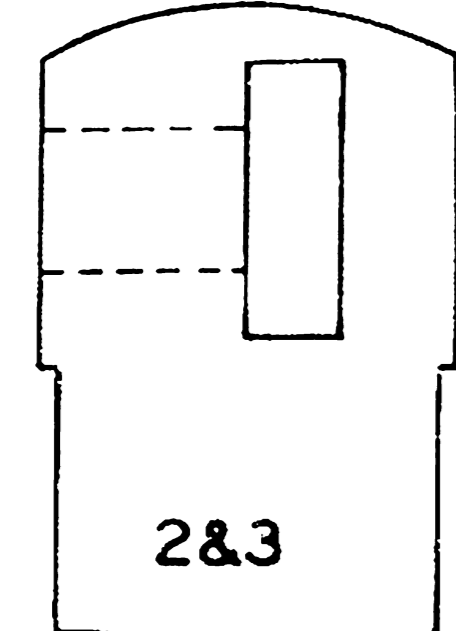
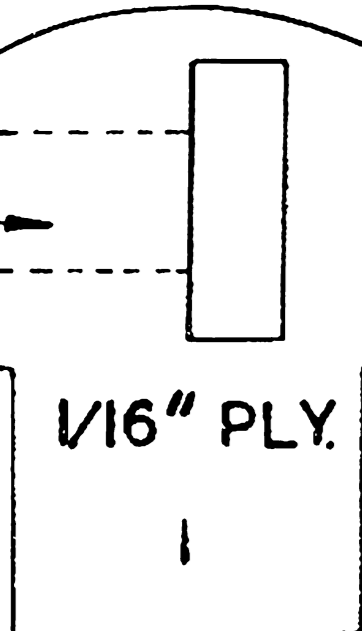
CUT OUT FOR K&B 15

1 x 7/8" Balsa TIPS

ROOT RIB

WING RIB TEMPLATES  
ALL RIBS - 3/32" Balsa

TIP RIB



ENG. MT. 1/2" MAPLE  
NOTCH & EXTEND FOR  
K&B 15

COOLING OUTLET

3/8" DOWEL

K&B 15 SCHNEURLE

1 3/4" DIA. SPINNER

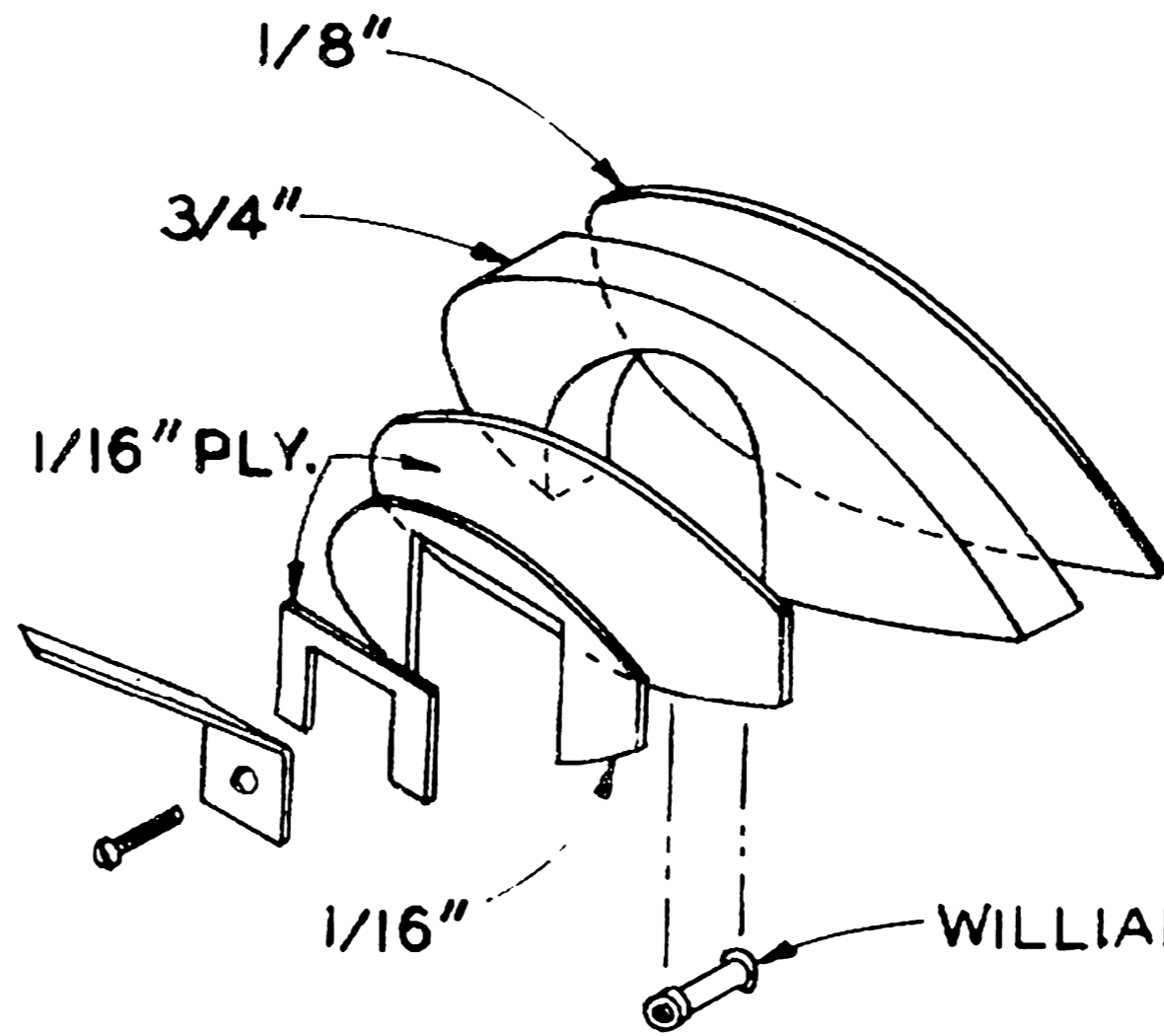
SUPER TIGRE G 15

4 OZ. TANK

1/16" SHT. TOP & BOTTOM

ALL TAIL SURFACES  
3/16" Balsa

AILERON LINKAGE  
3/32" PIANO WIRE IN BRASS TUBE



WHEEL PANTS DETAIL

WILLIAM BROS 158 AXEL

3/16 x 1/4 SPRUCE

WINDSHIELD PATTERN

1/16" PLY. CROSSPIECE

3/32" DIA. WIRE

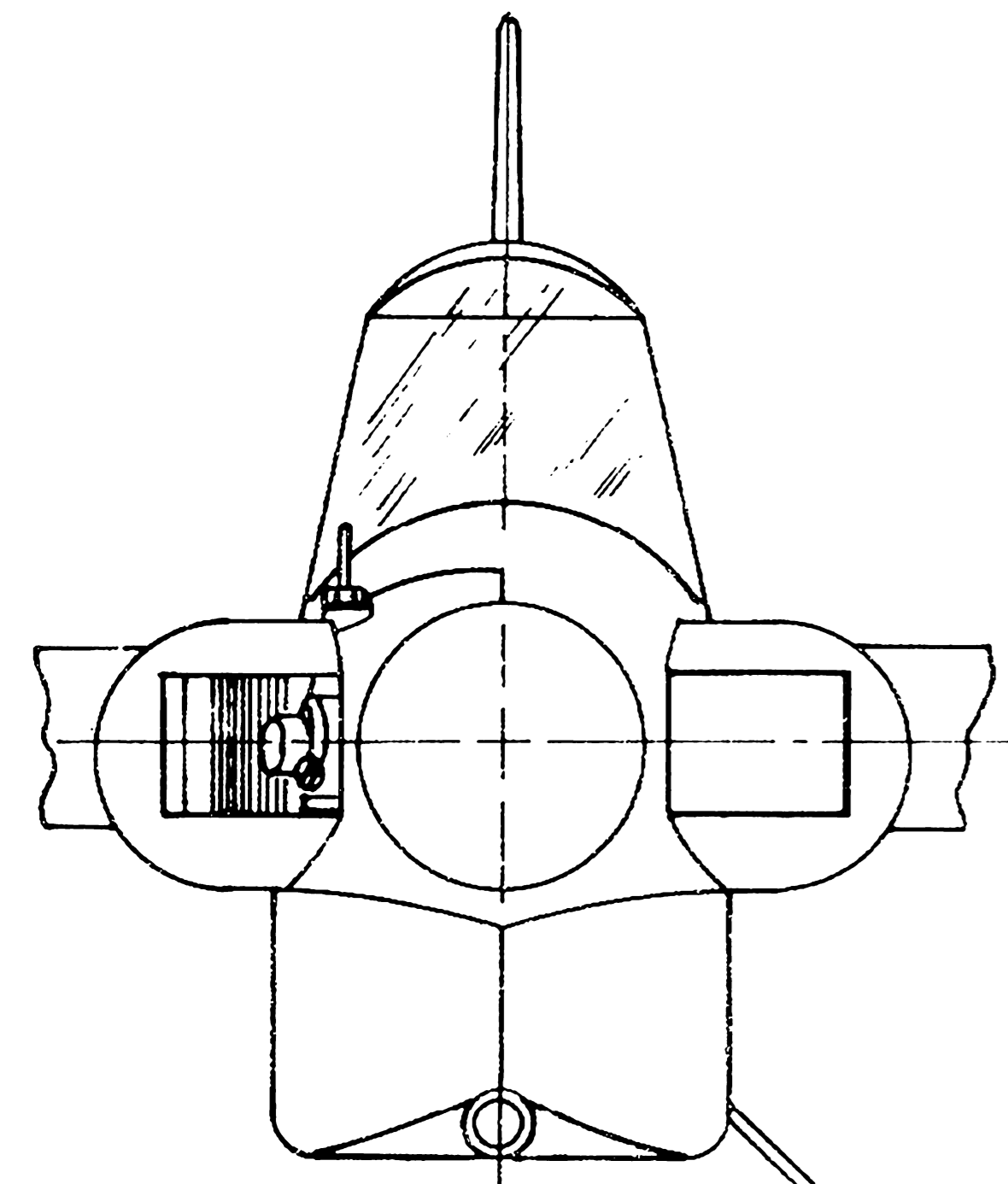
3/32" PLY. CROSSPIECE

3/16" x 1/4" SPRUCE

Balsa BLOCKS

3/32" PLANKING

Balsa FILLETS



3/8" DIA. DOWEL

SLIT SIDES

1/16" PLY.

RECEIVER

ENG. SERVO MOUNTED  
ON 3/32" PLY.

1/4" SHT.

HATCH

1/4" x 1/8"

C.G. BRACKET

3/4" DIA. TAILWHEEL

1/16" LDG. GEAR  
2024 T4 ALUM.

Denotes OUTLINE OF 3/32"  
FUSELAGE SIDES

3 SERVOS. MOUNT ON  
3/8" SQ. MAPLE

SEE PANTS DETAIL

1 3/4" DIA. WHEELS

*"Ole Tiger"* QUARTER MIDGET  
DRAWN, DESIGNED & INKED BY DON PANEK  
SPAN 34 1/2" AREA 303 SQ. IN.