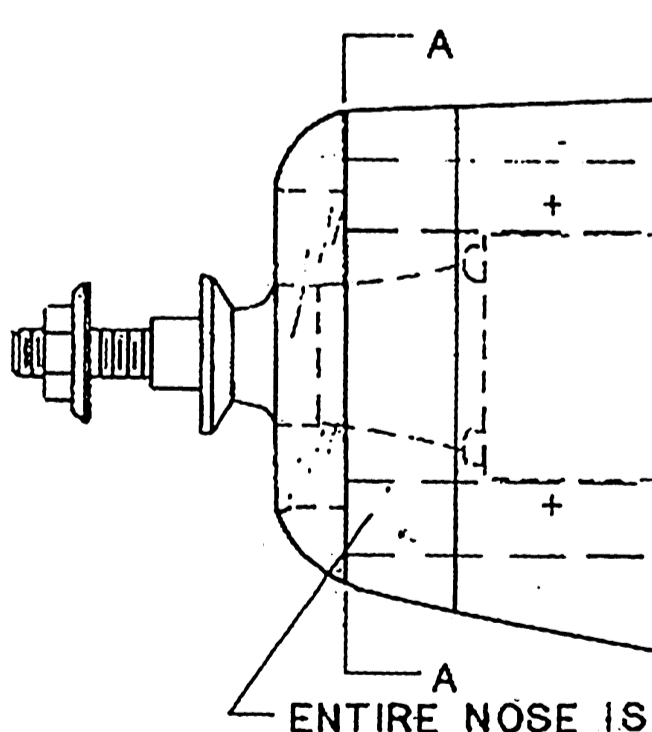
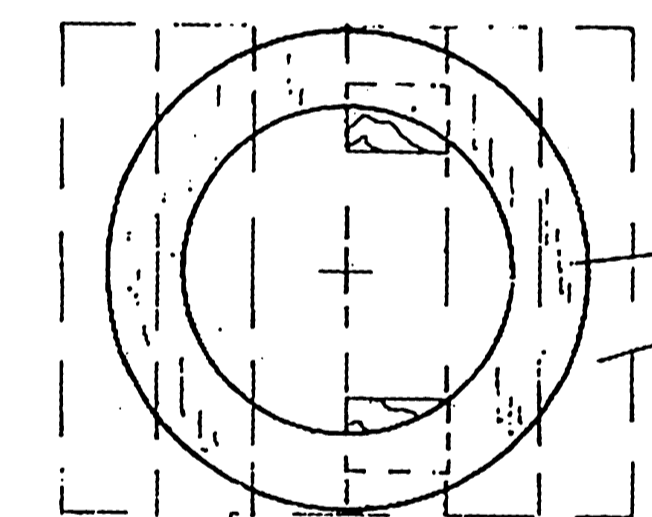
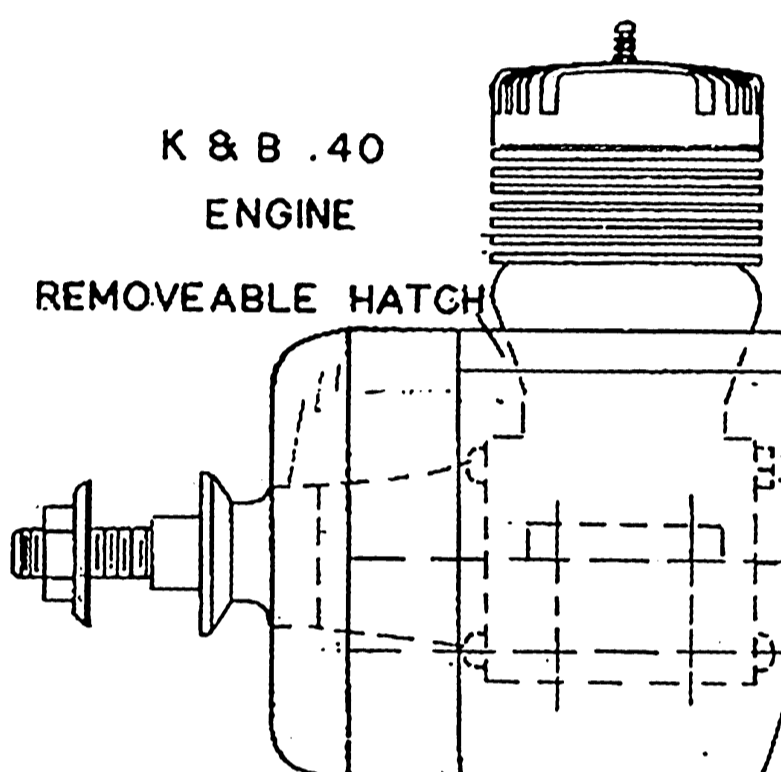
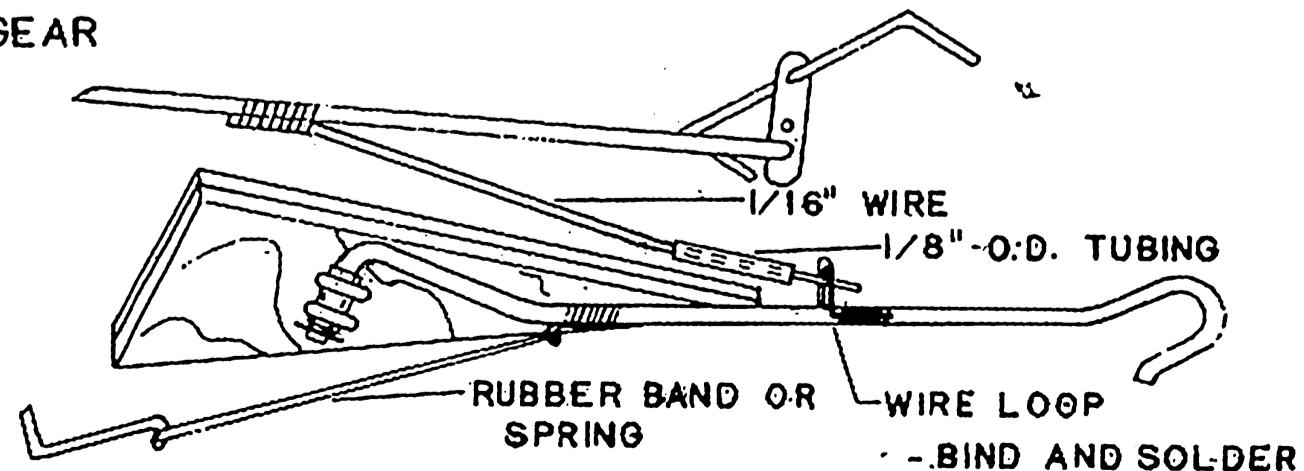
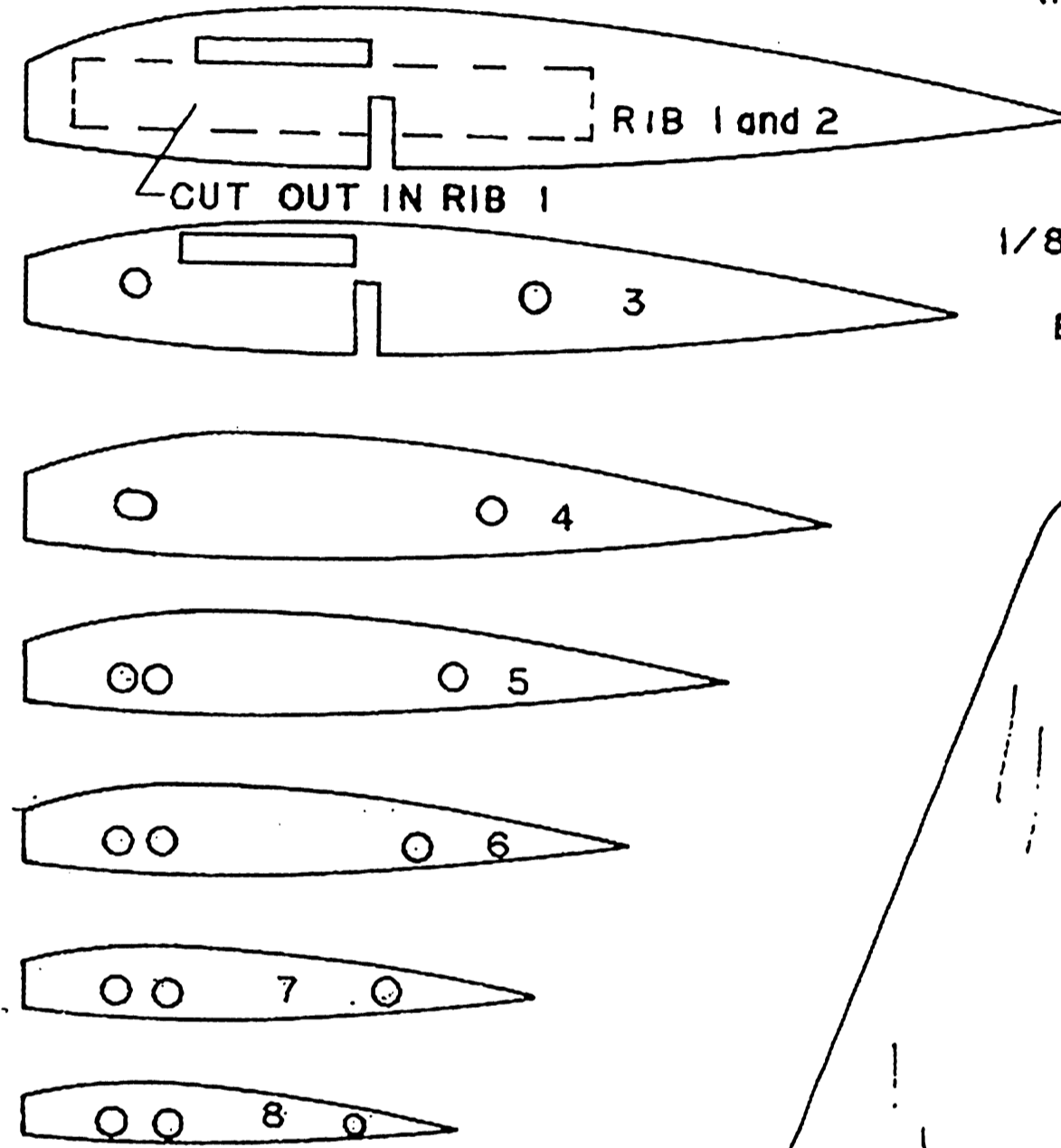
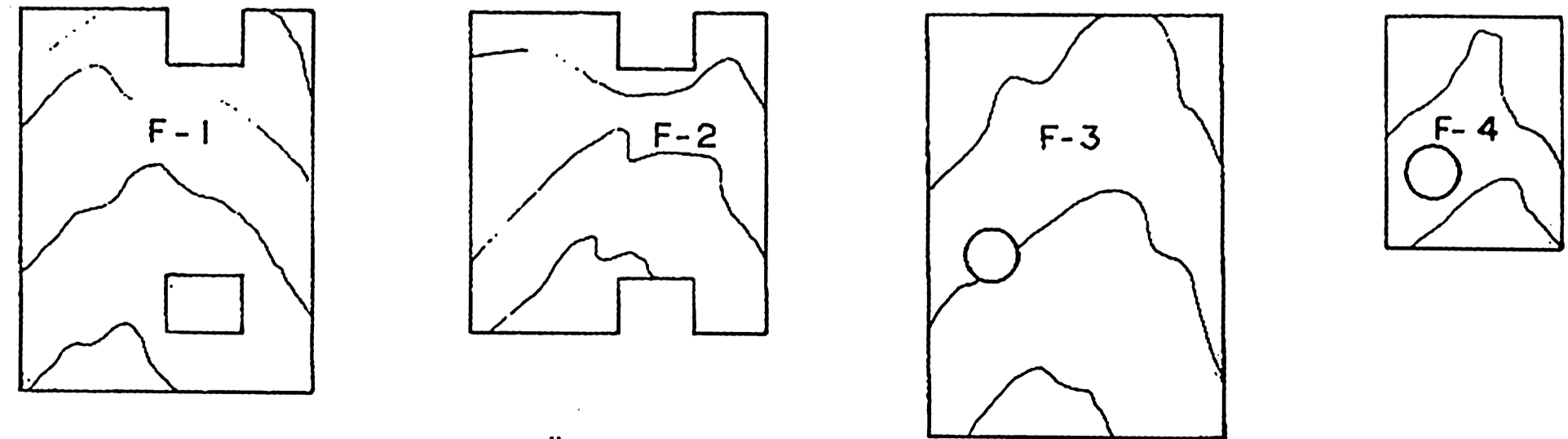


DOUGLAS TBD-1
 "DEVASTATOR"
 CLASS I CARRIER MODEL
 by Roland Baltes

ARRESTING HOOK AND RELEASE SYSTEM
 (NOT TO SCALE)
 ADJUST SO THAT FULL DOWN RELEASES HOOK

NOTE:
 RIBS 1 and 3 ARE 1/4" PLY
 2 ARE 1/4" Balsa
 4-8 ARE 1/8" Balsa



ENTIRE NOSE IS RED

THROTTLE PUSHROD

3 OZ. FUEL TANK

1/8" DIA. WIRE LANDING GEAR MOUNT TO SPAR AND RIB 3 WITH 'J' BOLTS

1 3/4" DIA. WHEELS

A

PLASTIC PILOT

BUILD UP FROM 1/2" Balsa SHEET

COWL AT SECTION A-A

3/8" x 1/2" HARDWOOD MOTOR MOUNTS

FORMED PLASTIC CANOPY

1/8" Balsa HEADREST

1/8" DIA. DOWELS

BLACK TRIM

1/2" Balsa

3/32" WIRE PUSHROD

3/4" Balsa BLOCK

1/8" PLY FORMERS

F-1

F-2

F-3

F-4

3/32" Balsa SHEET FILLET

3/8" Balsa FIN

1/8" PLY TAILHOOK MOUNT

BEVEL TRAILING EDGE

1/16" SHEET Balsa COVERING

TOP OF WING IS PAINTED YELLOW

BOTTOM LIGHT GRAY

SPAR

"INVERTED" ROBERTS BELLCRANK

RED BAND

1/8" PLY SPAR

RED BAND

RED WHITE BLUE INSIGNIA

1/8" PLY BELLCRANK MOUNT

CUT OUT IN RIB 1

RIB 1 and 2

1/2" Balsa WING TIPS

1/2" x 1/2" Balsa LEADING EDGE

1/8" WIRE LANDING GEAR

1/8" PLY BELLCRANK MOUNT

1/8" WIRE LANDING GEAR

1/2" x 1/2" Balsa LEADING EDGE

ALUM. TUBING LEADOUT GUIDES

FLEXIBLE LEADOUT WIRE

8

17

6

5

4

3

2

1

2

3

4

5

6

17

8