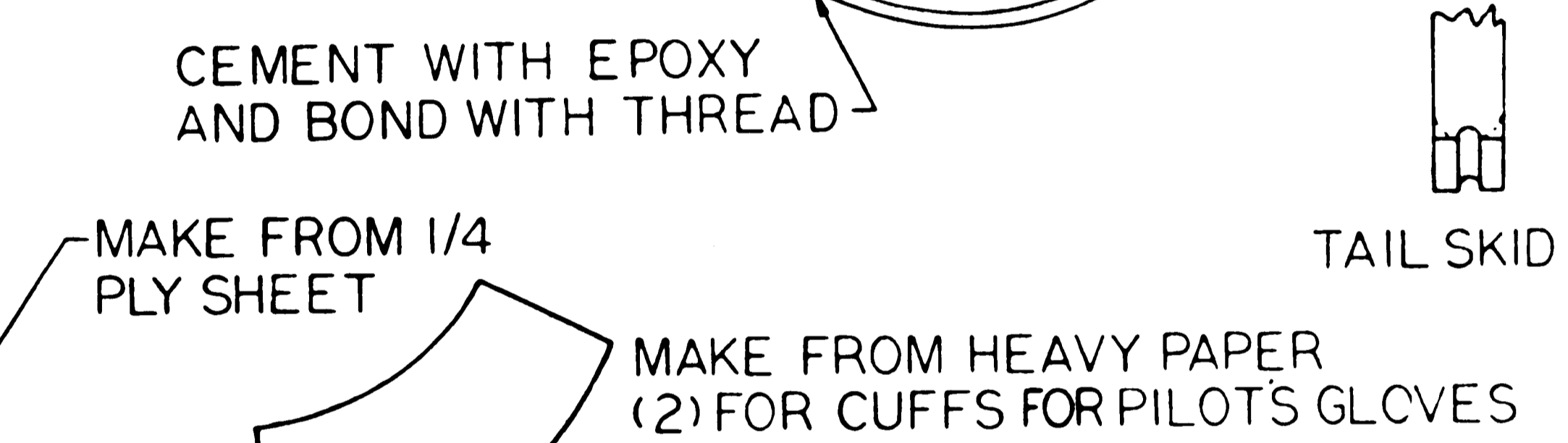
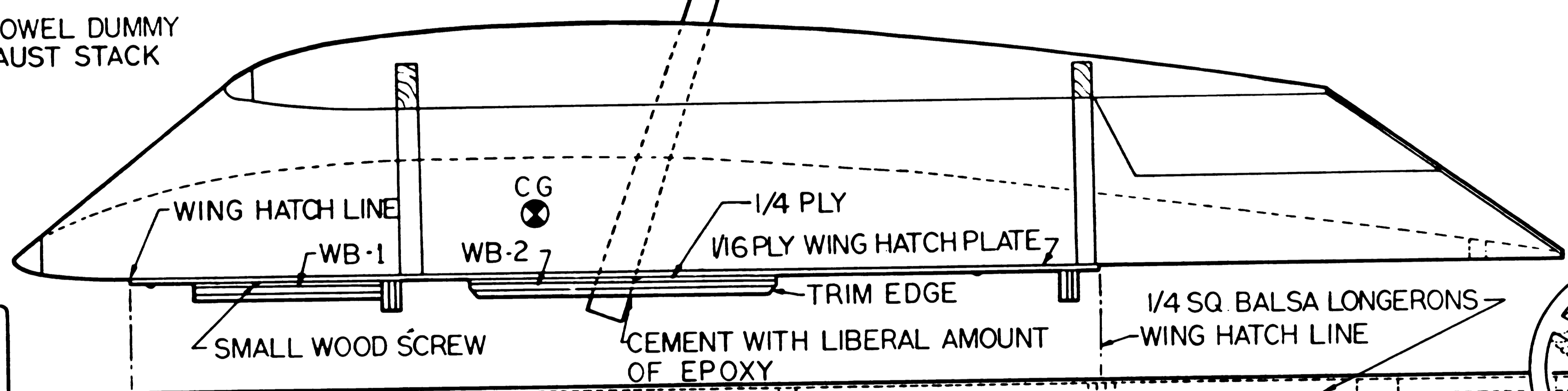
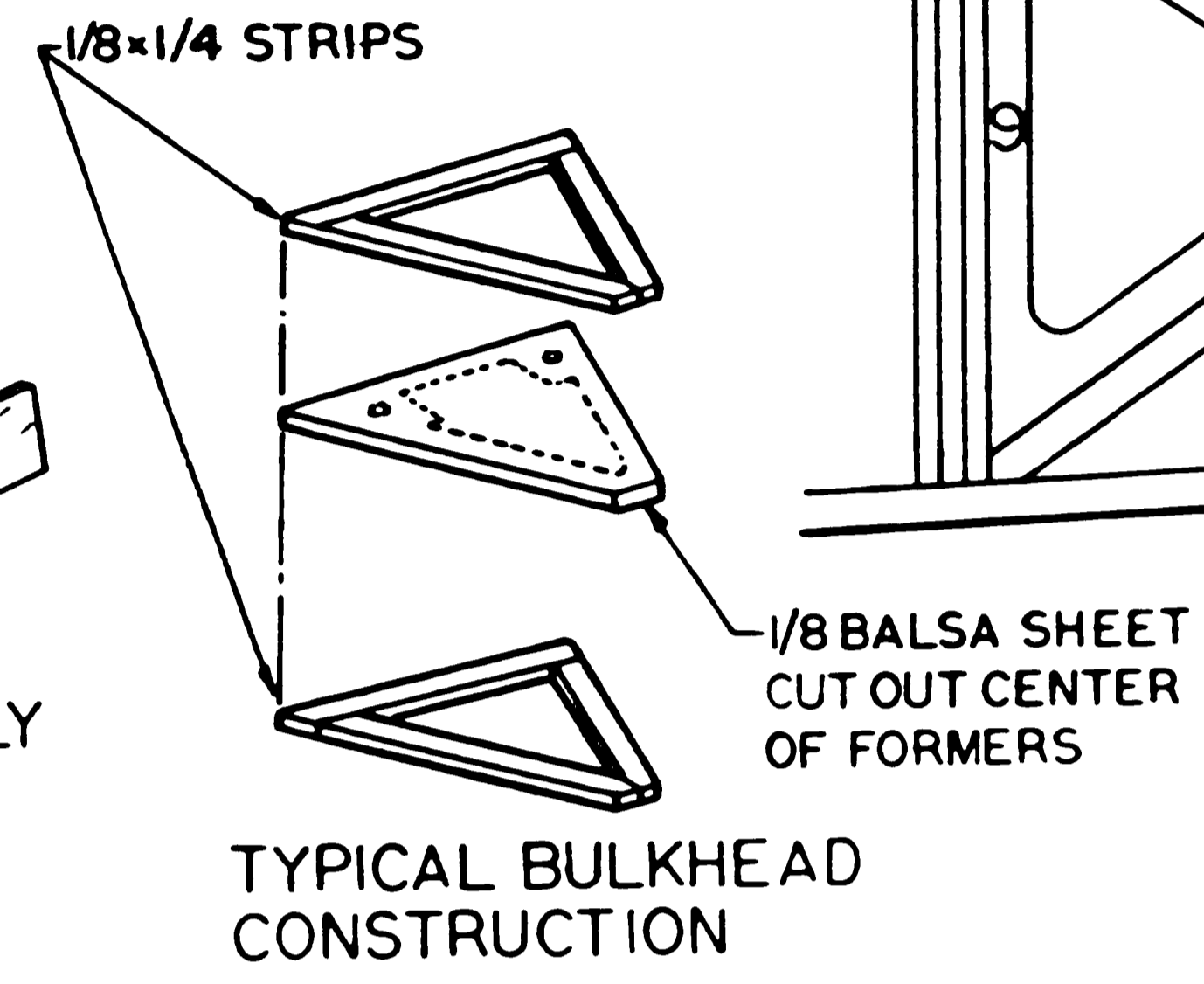
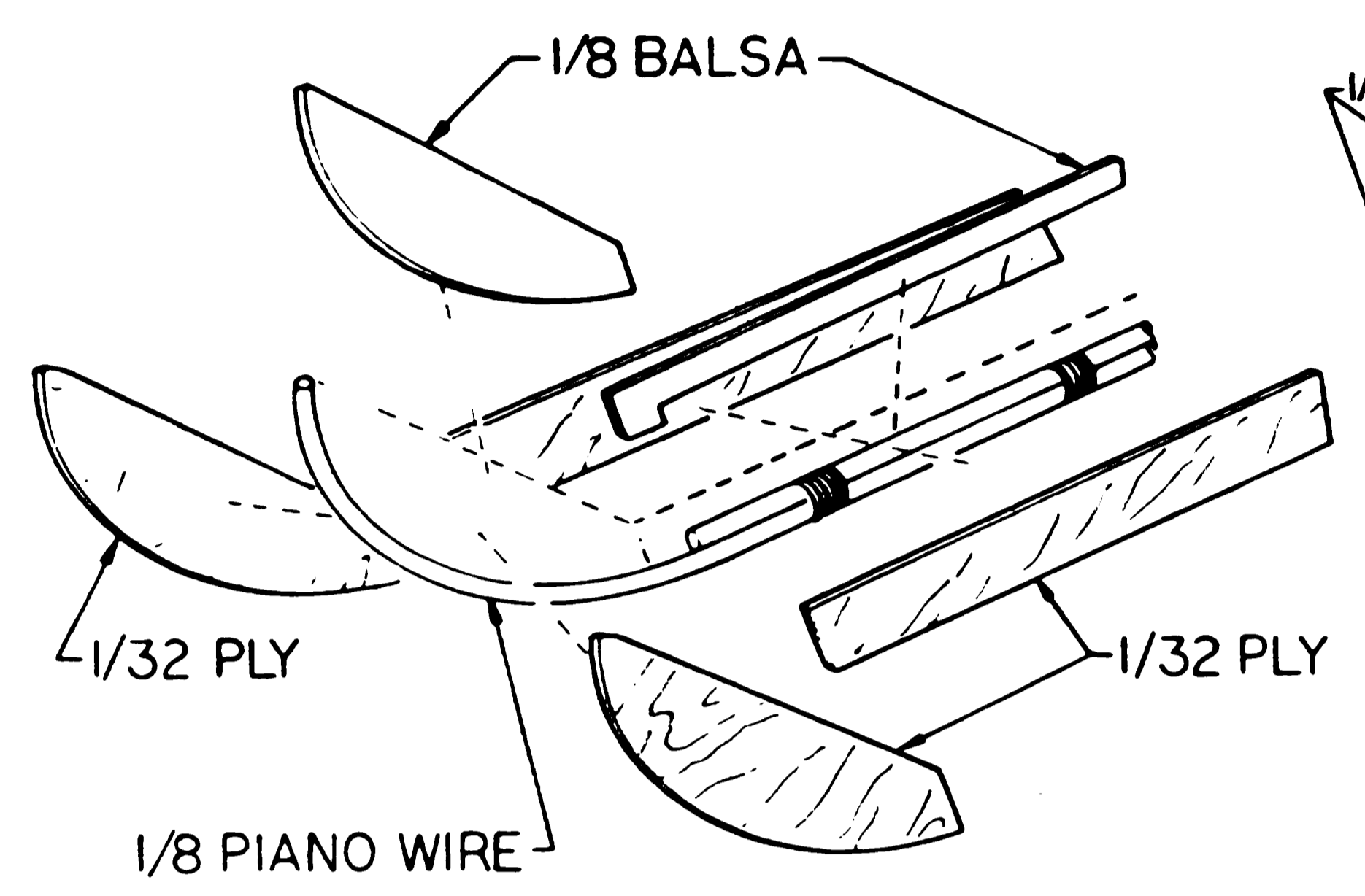
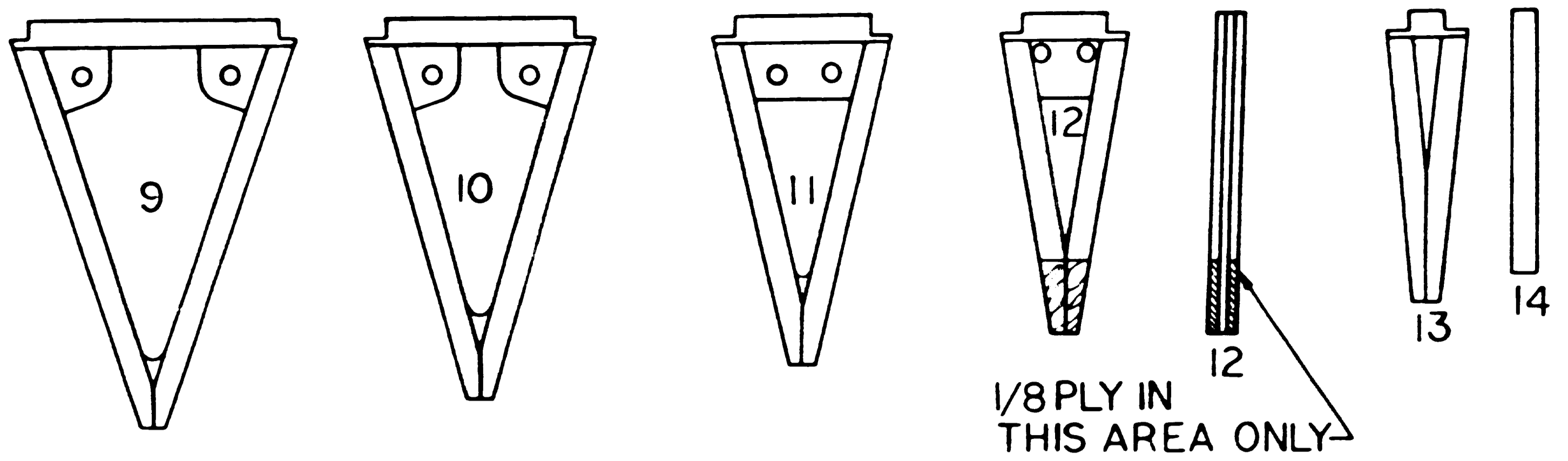
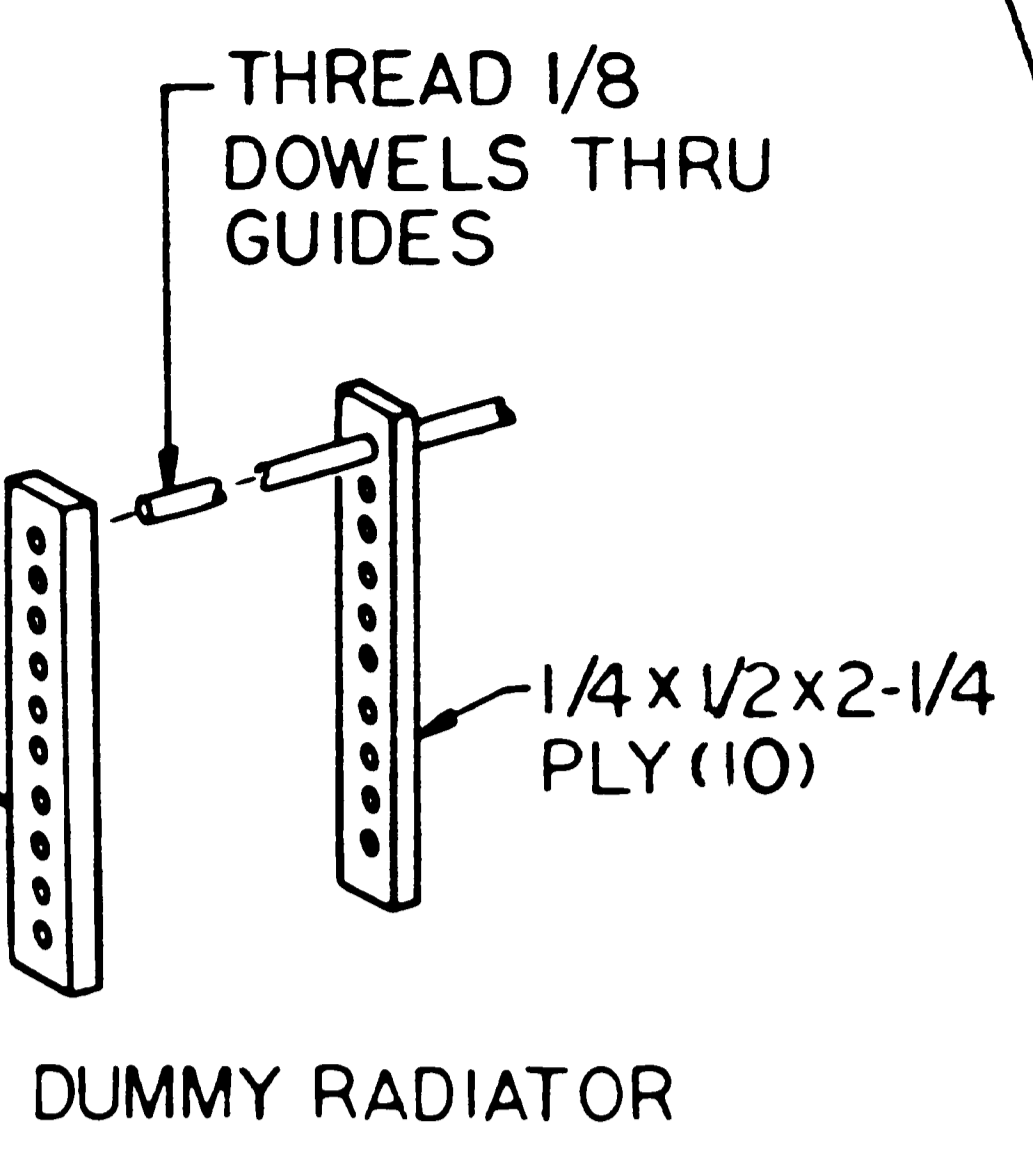


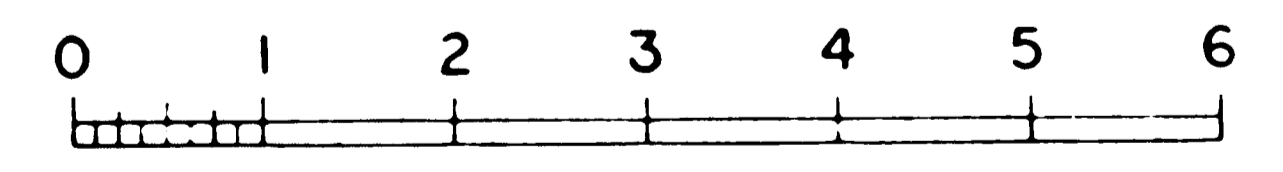
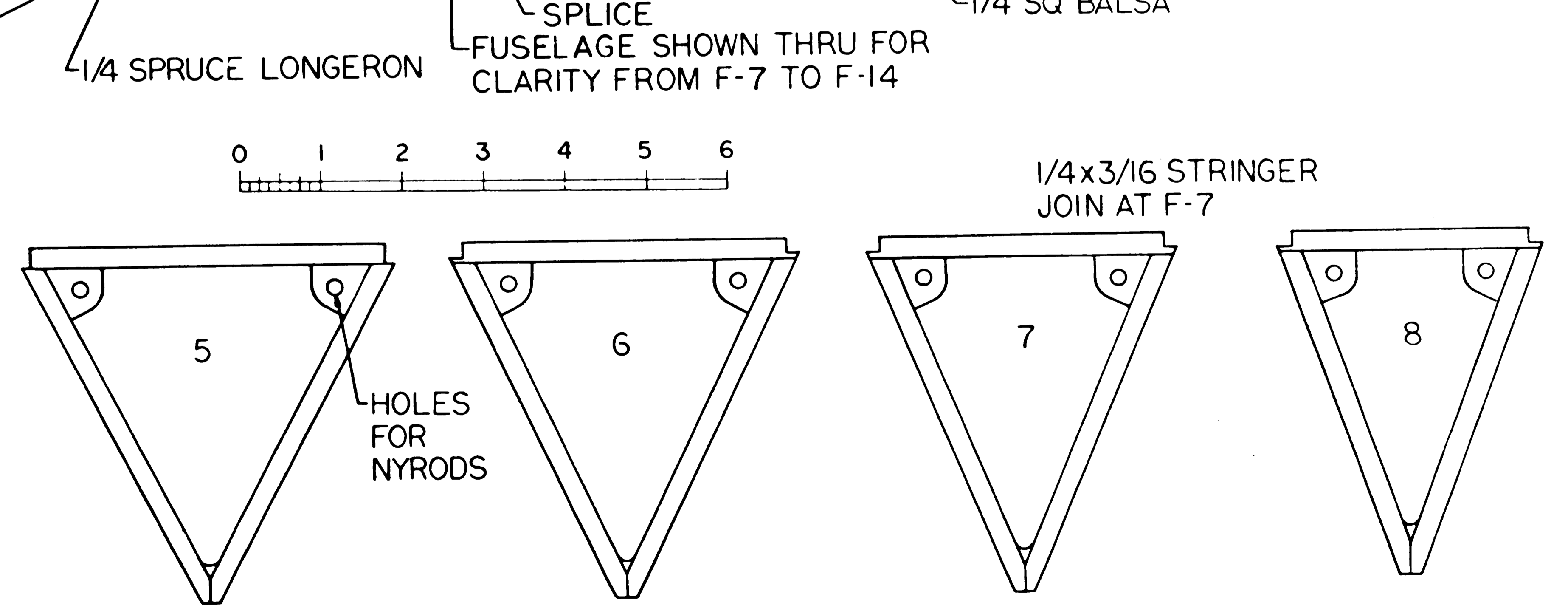
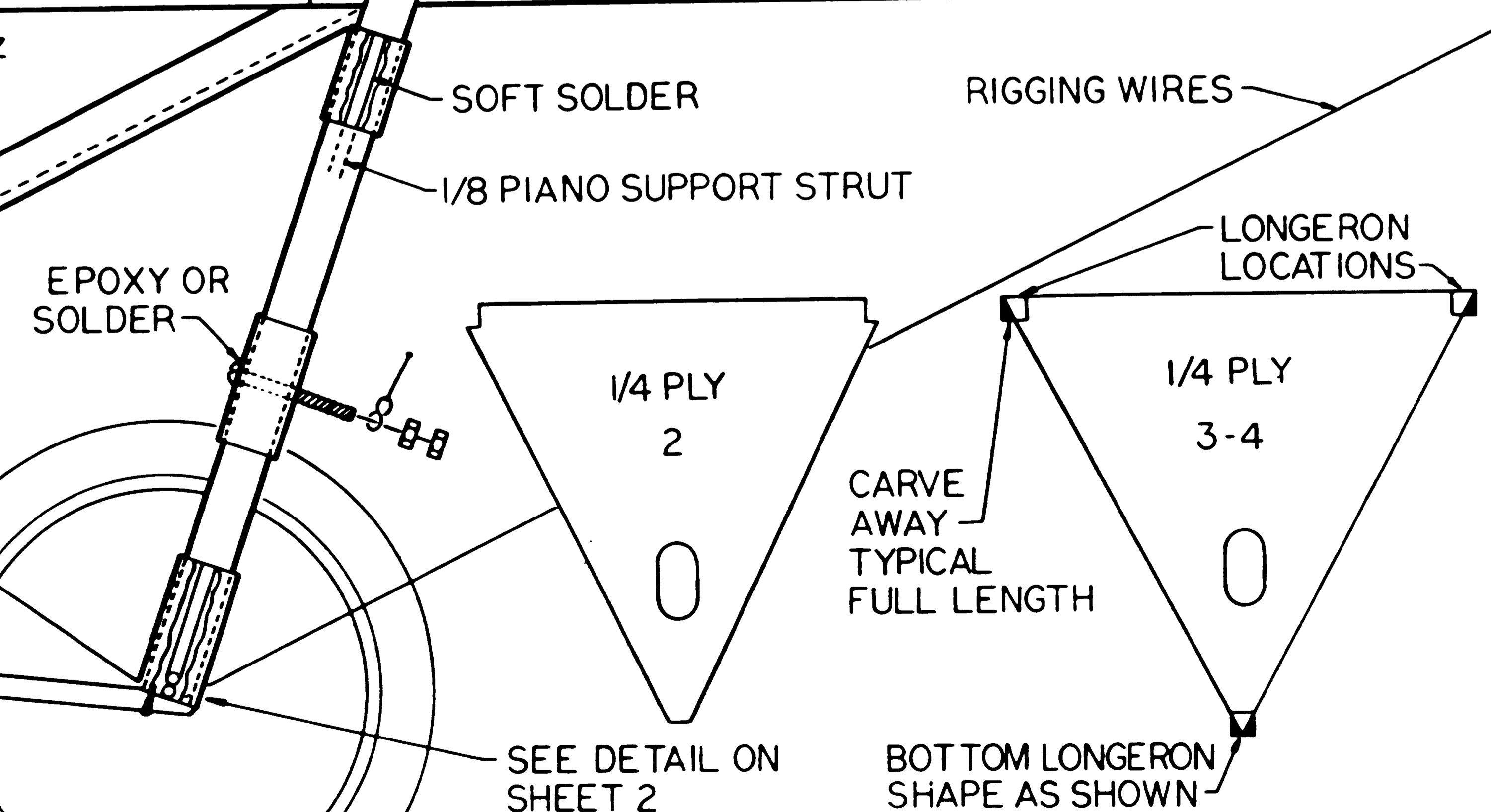
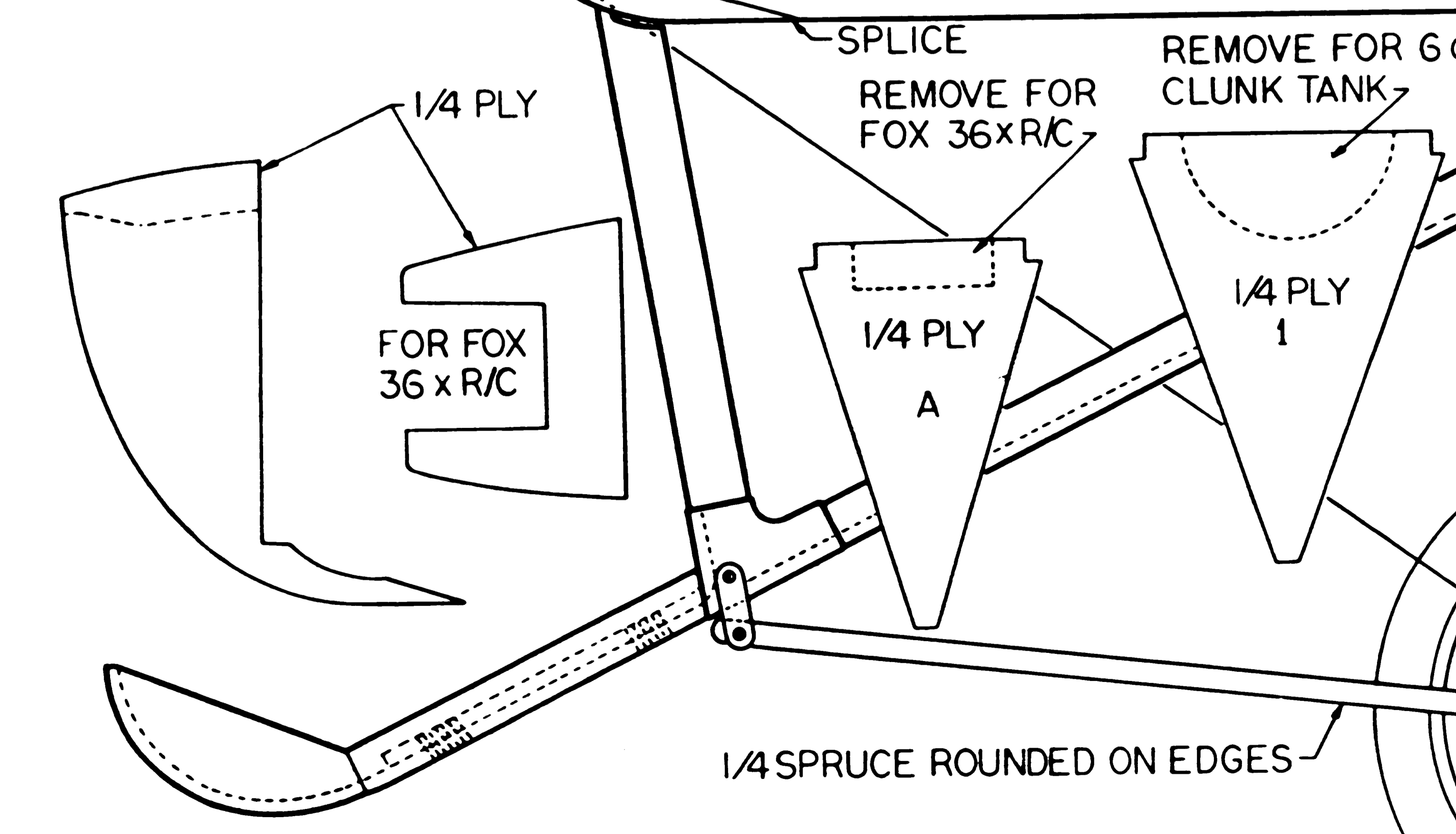
STACK 5 EA. AND DRILL 1/8 HOLES TO MAKE 1 SET



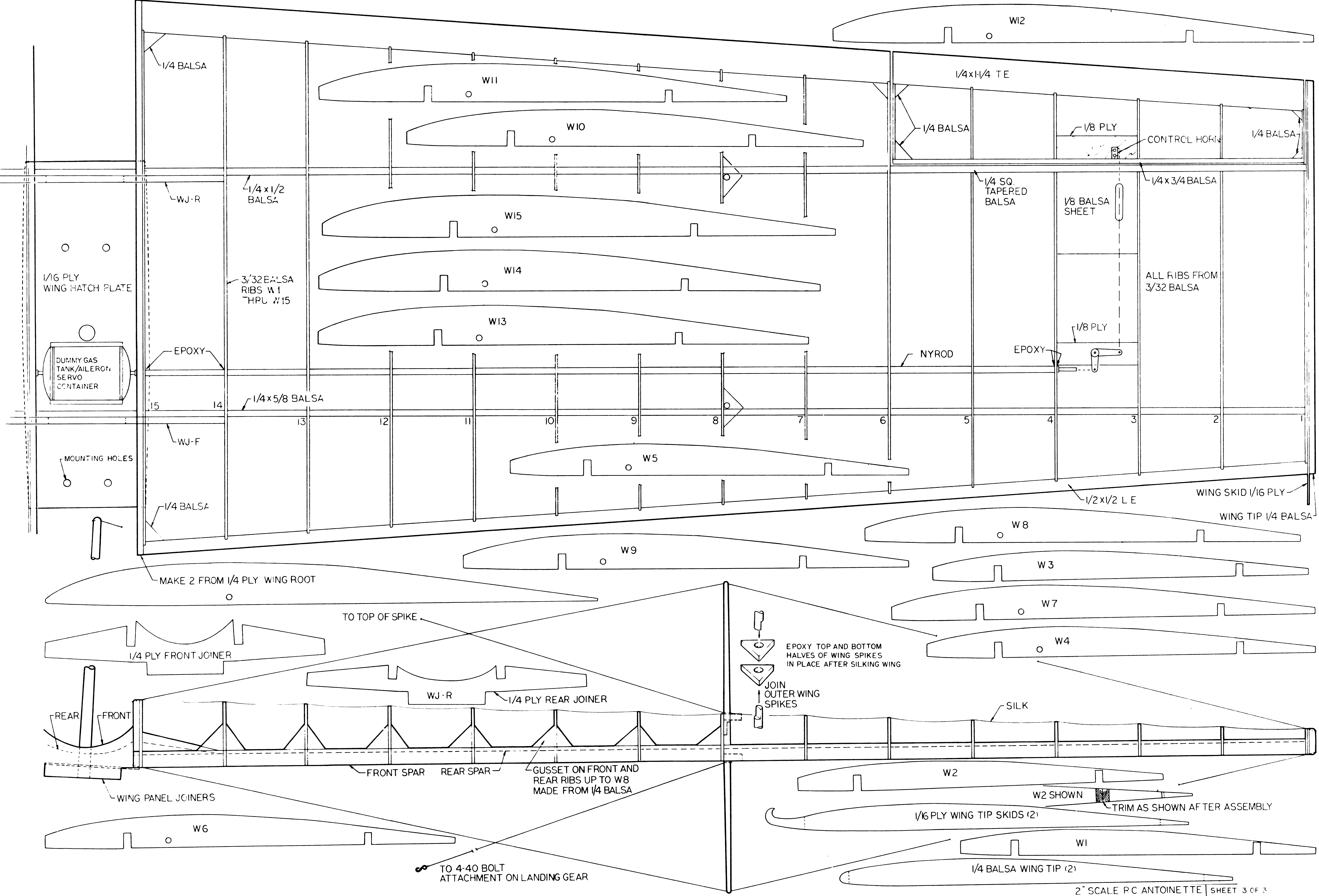
THIS AREA REMOVED FOR FOX 36xRC
HARD Balsa NOISE BLOCKS TO FORMER A

Antoinette
ENG SER
BATTERY LOCATION
LETTERS CUT FROM WHITE MONOKOTE

1
2
3
4
5
6
7
8
9
10
11
12
13
14
15
16
17
18
19
20
21
22
23
24
25
26
27
28
29
30
31
32
33
34
35
36
37
38
39
40
41
42
43
44
45
46
47
48
49
50
51
52
53
54
55
56
57
58
59
60
61
62
63
64
65
66
67
68
69
70
71
72
73
74
75
76
77
78
79
80
81
82
83
84
85
86
87
88
89
90
91
92
93
94
95
96
97
98
99
100



2" SCALE RC ANTOINETTE	DESIGNED/DRAWN VERN ZUNDEL FEB.70	INKED ROY PRIOR APRIL 70
WING SPAN - 98 INCHES	WING AREA - 1750 SQ INCHES	TEST FLIGHTS BY AL SIGNORINO FEB 70
WING LOADING AT 9 POUNDS - 12 OZ/SQ FOOT	ENGINE - FOX .36 X RC	SHEET 1 OF 3



1/4 Balsa

W11

W10

W15

W14

W13

W5

W9

W2

1/4x1/4 TE

1/4 Balsa

1/8 PLY

CONTRCL HORN

1/4 Balsa

WJ-R

1/4x1/2 Balsa

3/32 Balsa RIBS W1 THRU W15

EPOXY

1/4x5/8 Balsa

NYROD

EPOXY

1/4 SQ. TAPERED Balsa

1/8 Balsa SHEET

1/4x3/4 Balsa

ALL RIBS FROM 3/32 Balsa

1/8 PLY

1/16 PLY WING HATCH PLATE

DUMMY GAS TANK/AILERON SERVO CONTAINER

MOUNTING HOLES

WJ-F

1/4 Balsa

1/2x1/2 LE

WING SKID 1/16 PLY

WING TIP 1/4 Balsa

W8

W3

W7

W4

MAKE 2 FROM 1/4 PLY WING ROOT

TO TOP OF SPIKE

1/4 PLY FRONT JOINER

EPOXY TOP AND BOTTOM HALVES OF WING SPIKES IN PLACE AFTER SILKING WING

JOIN OUTER WING SPIKES

SILK

WJ-R

1/4 PLY REAR JOINER

FRONT SPAR

REAR SPAR

GUSSET ON FRONT AND REAR RIBS UP TO W8 MADE FROM 1/4 Balsa

W2

W2 SHOWN

TRIM AS SHOWN AFTER ASSEMBLY

WING PANEL JOINERS

1/16 PLY WING TIP SKIDS (2)

W6

W1

1/4 Balsa WING TIP (2)

TO 4-40 BOLT ATTACHMENT ON LANDING GEAR