

OLE TIGER
 designed by
E. Rhodes.
 copyright of

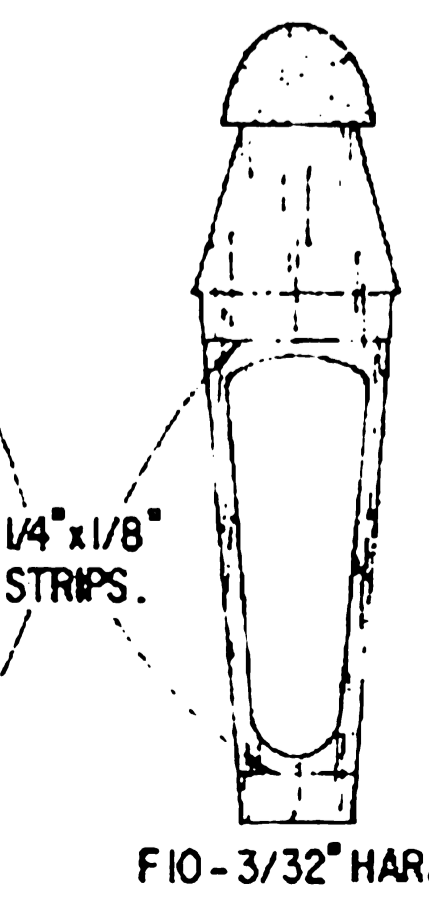
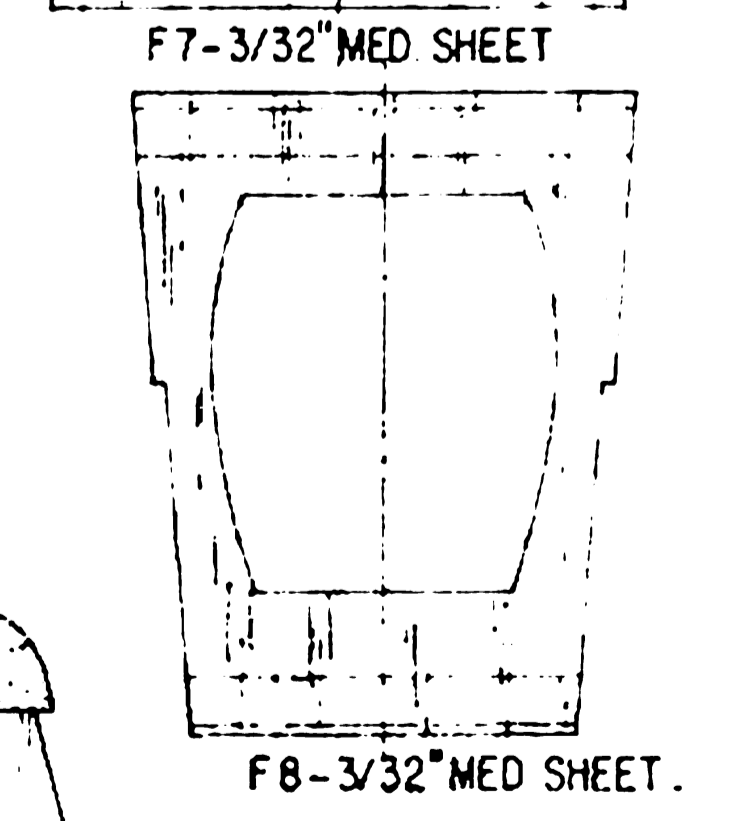
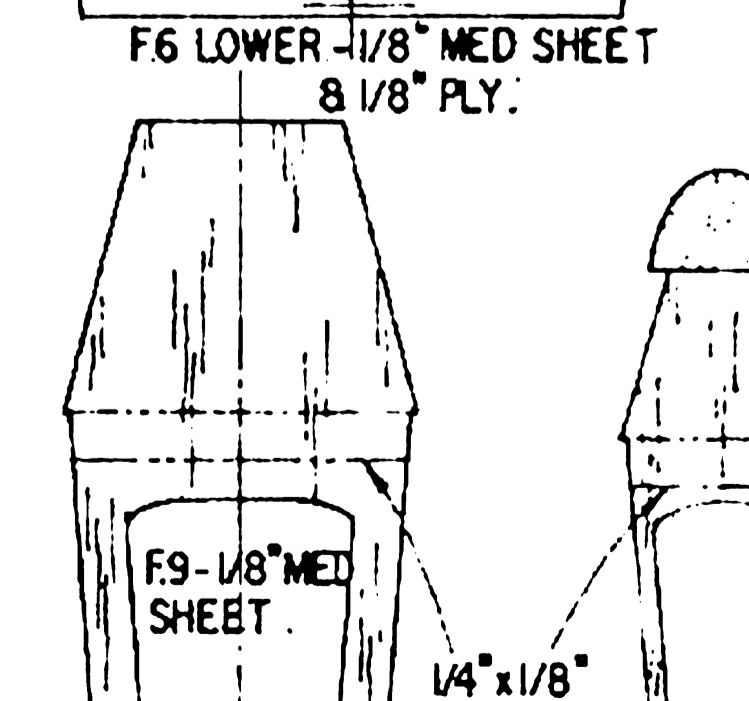
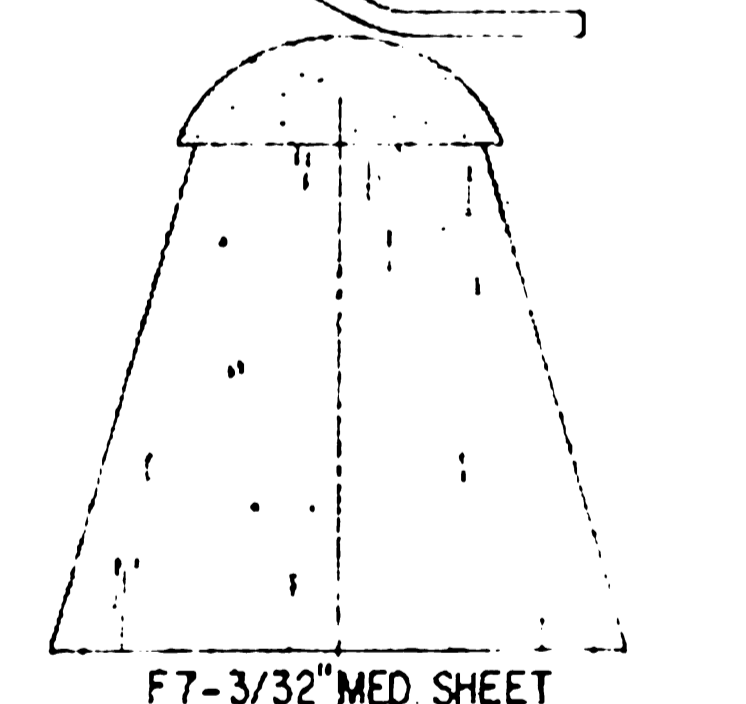
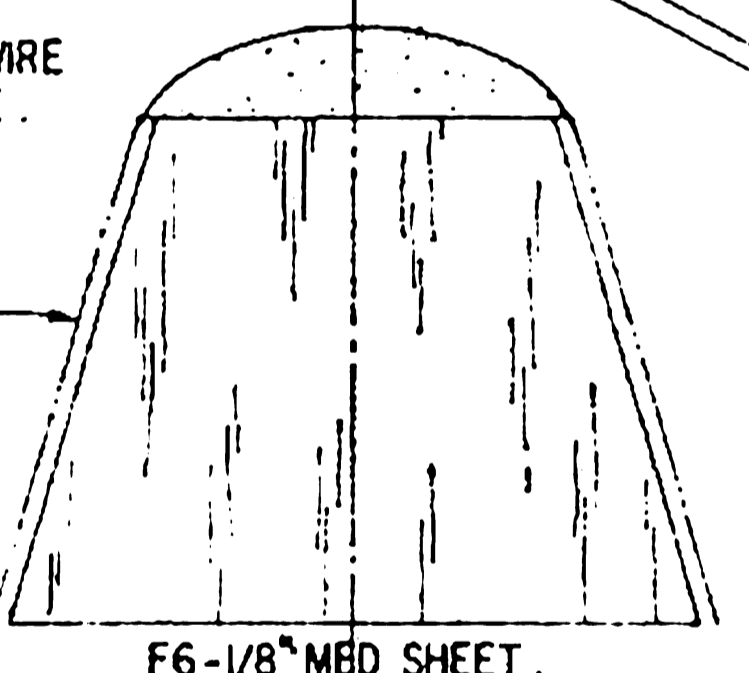
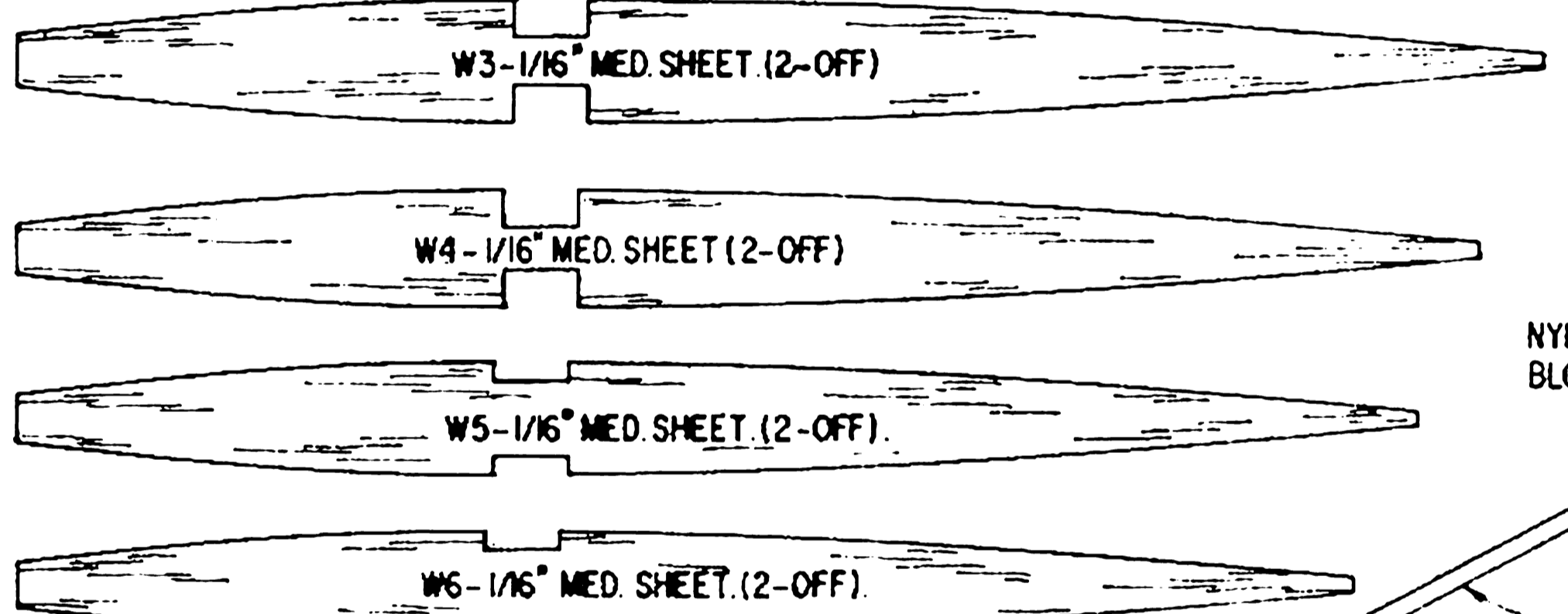
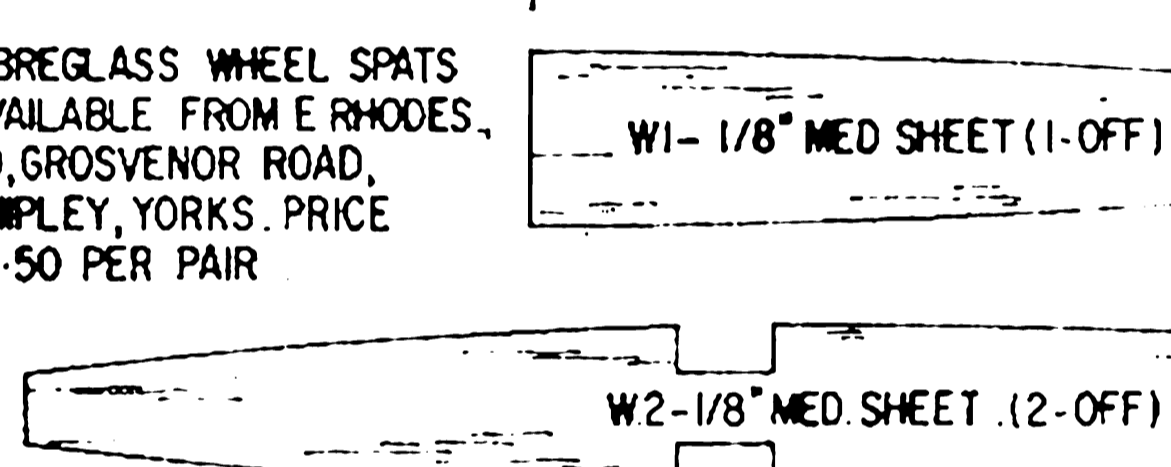
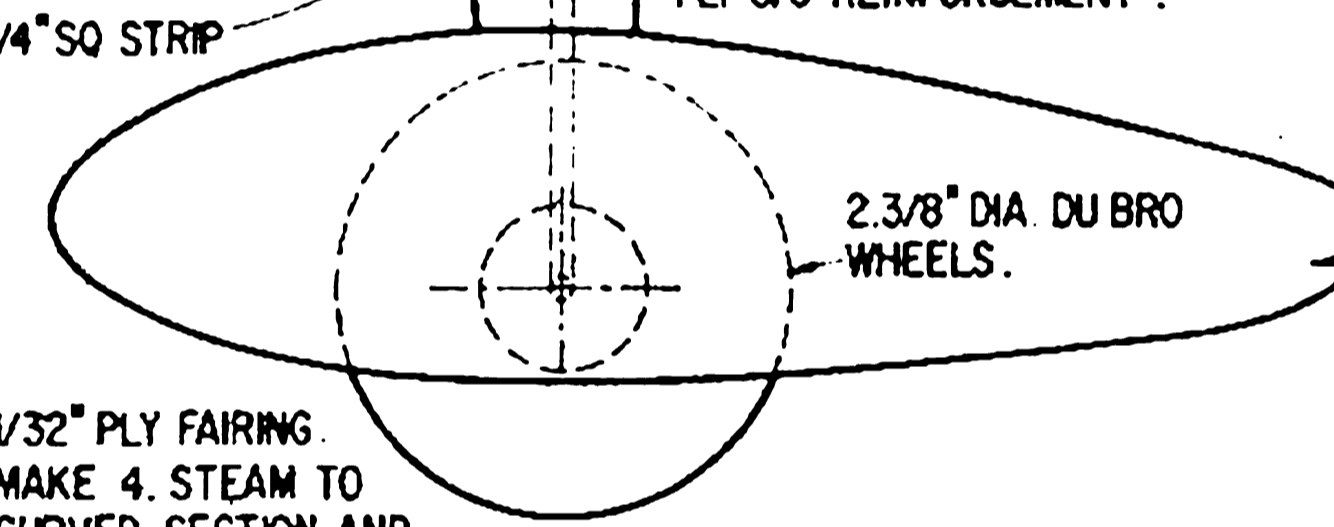
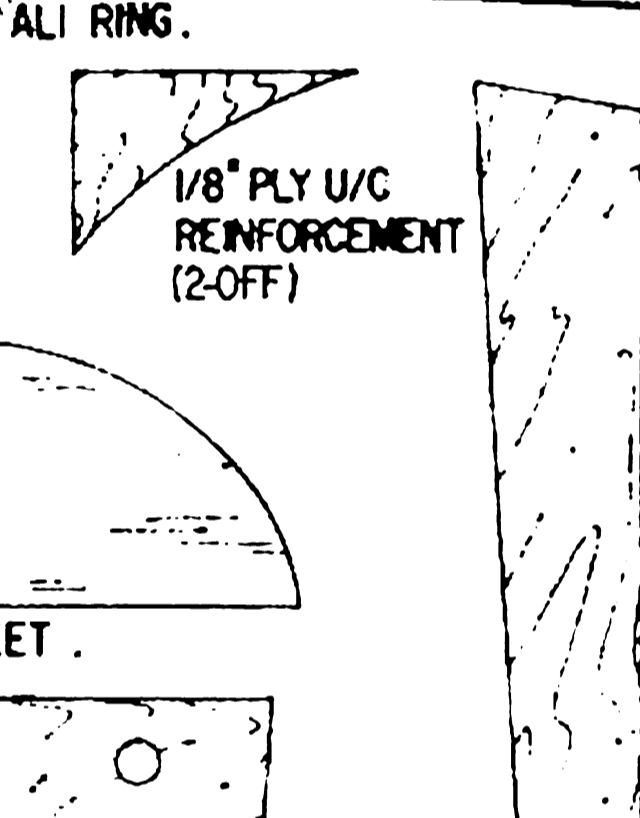
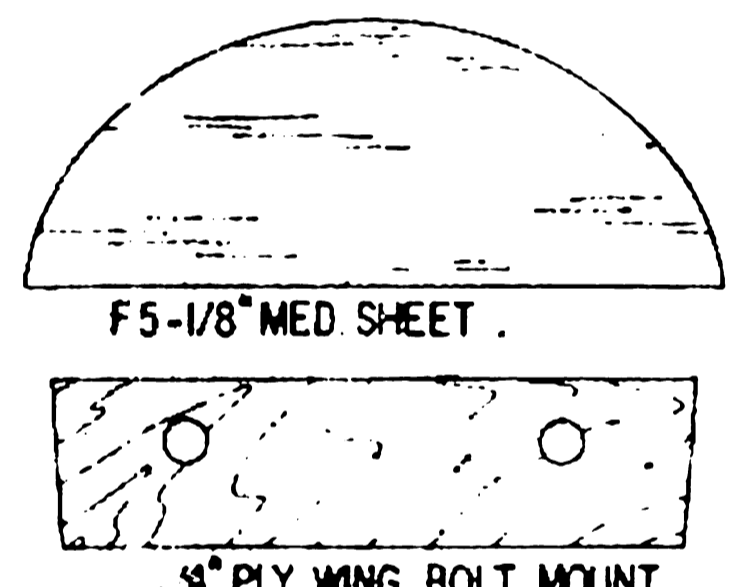
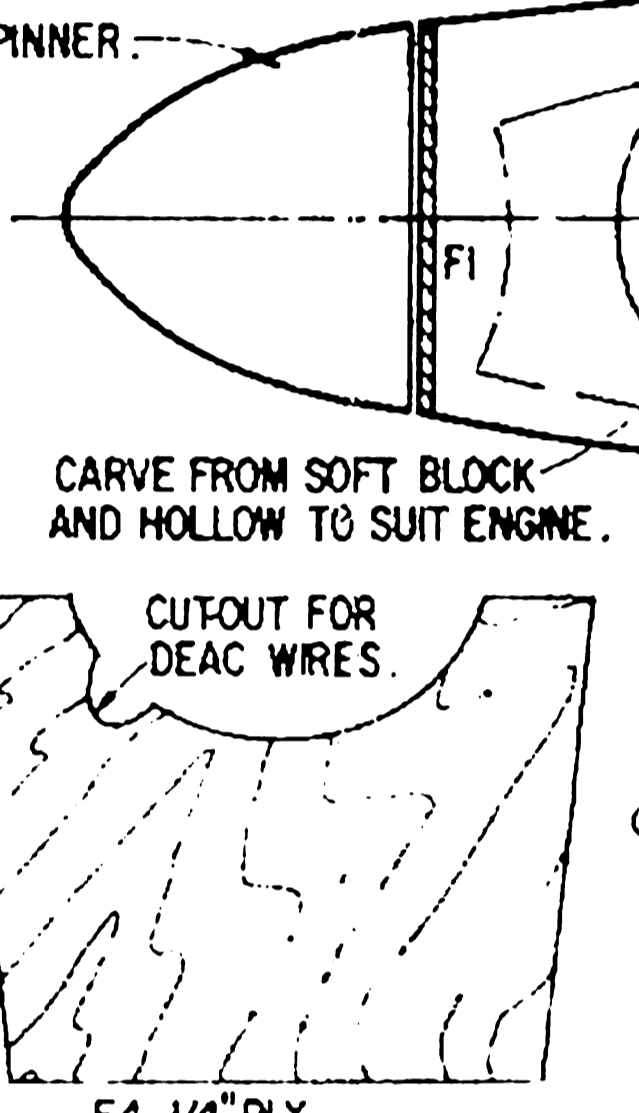
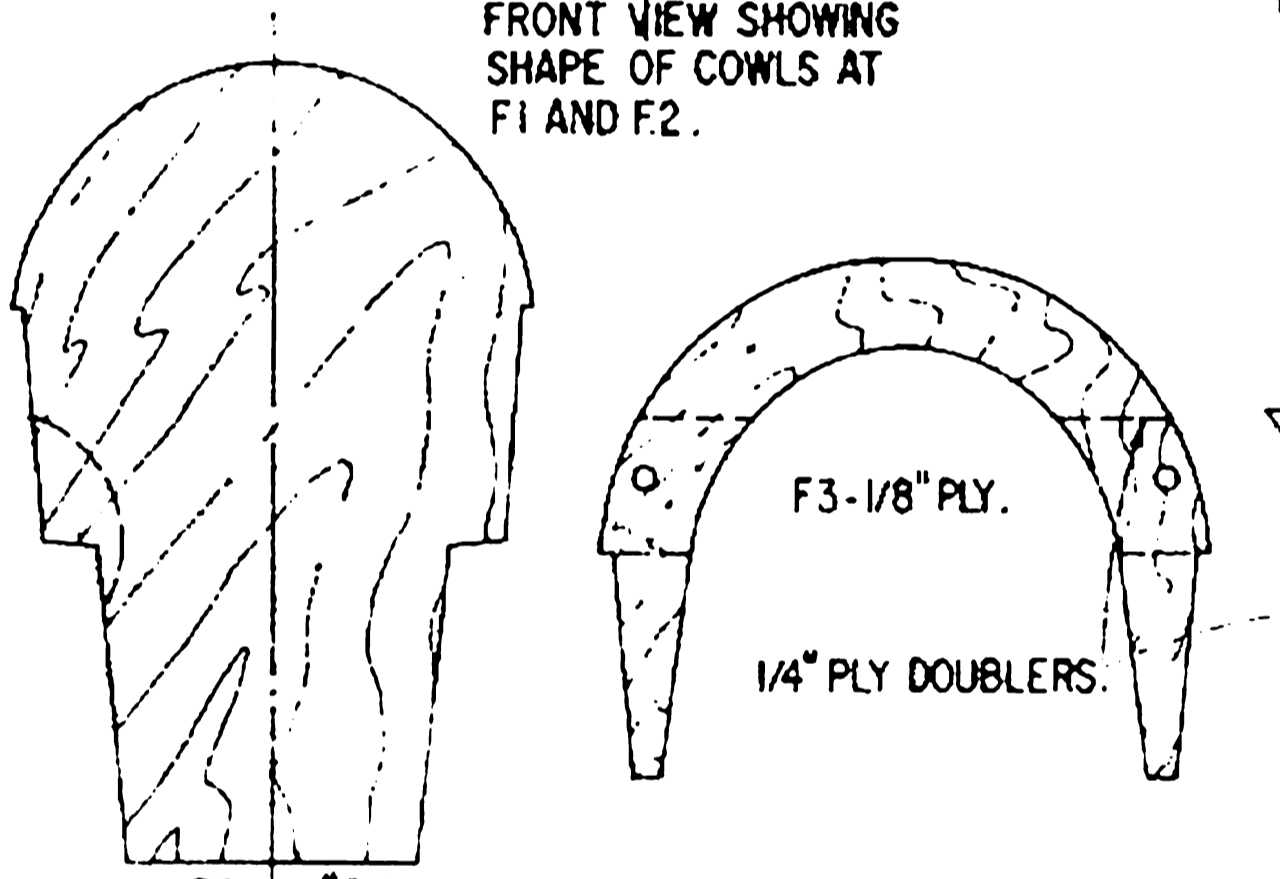
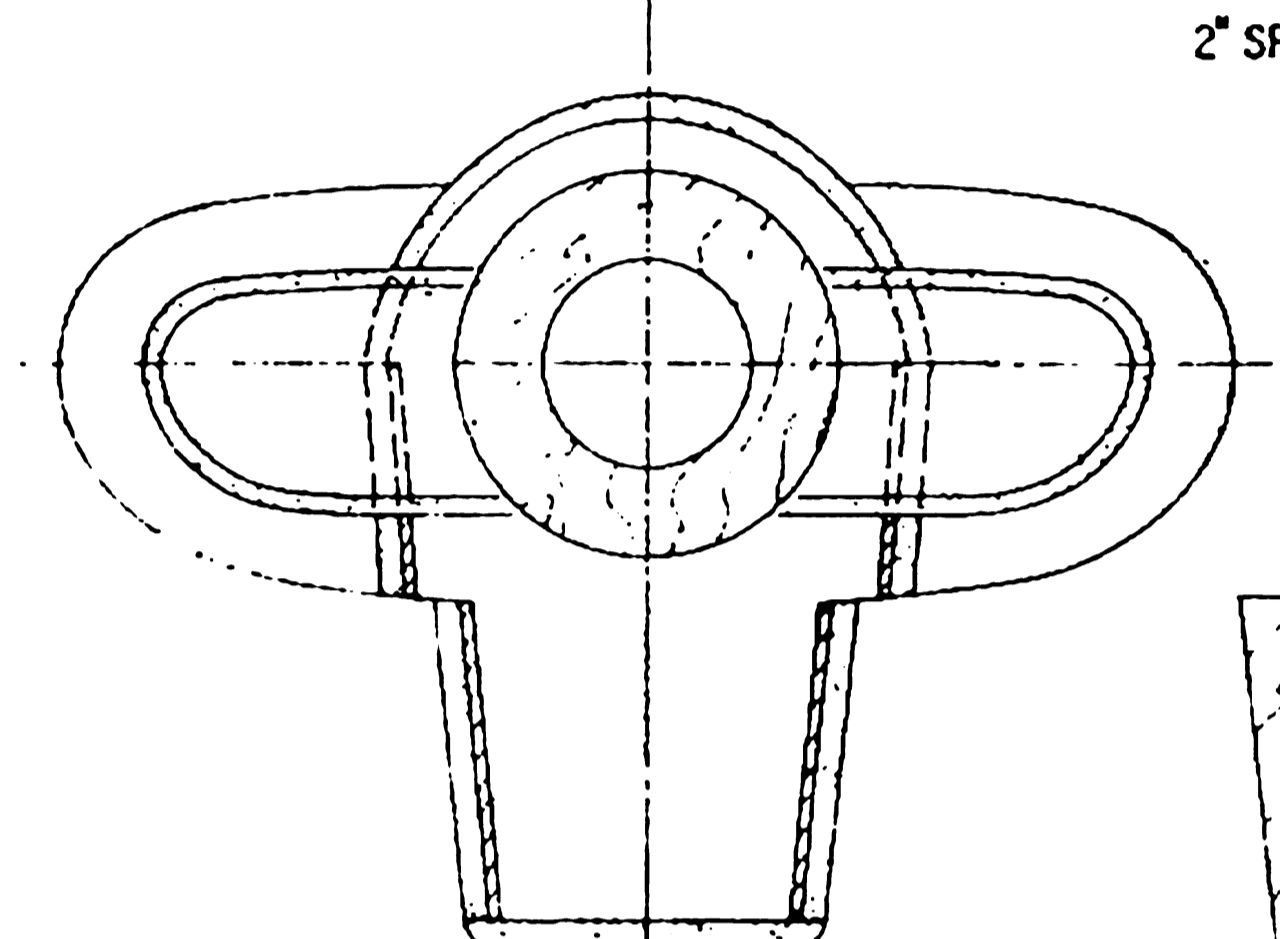
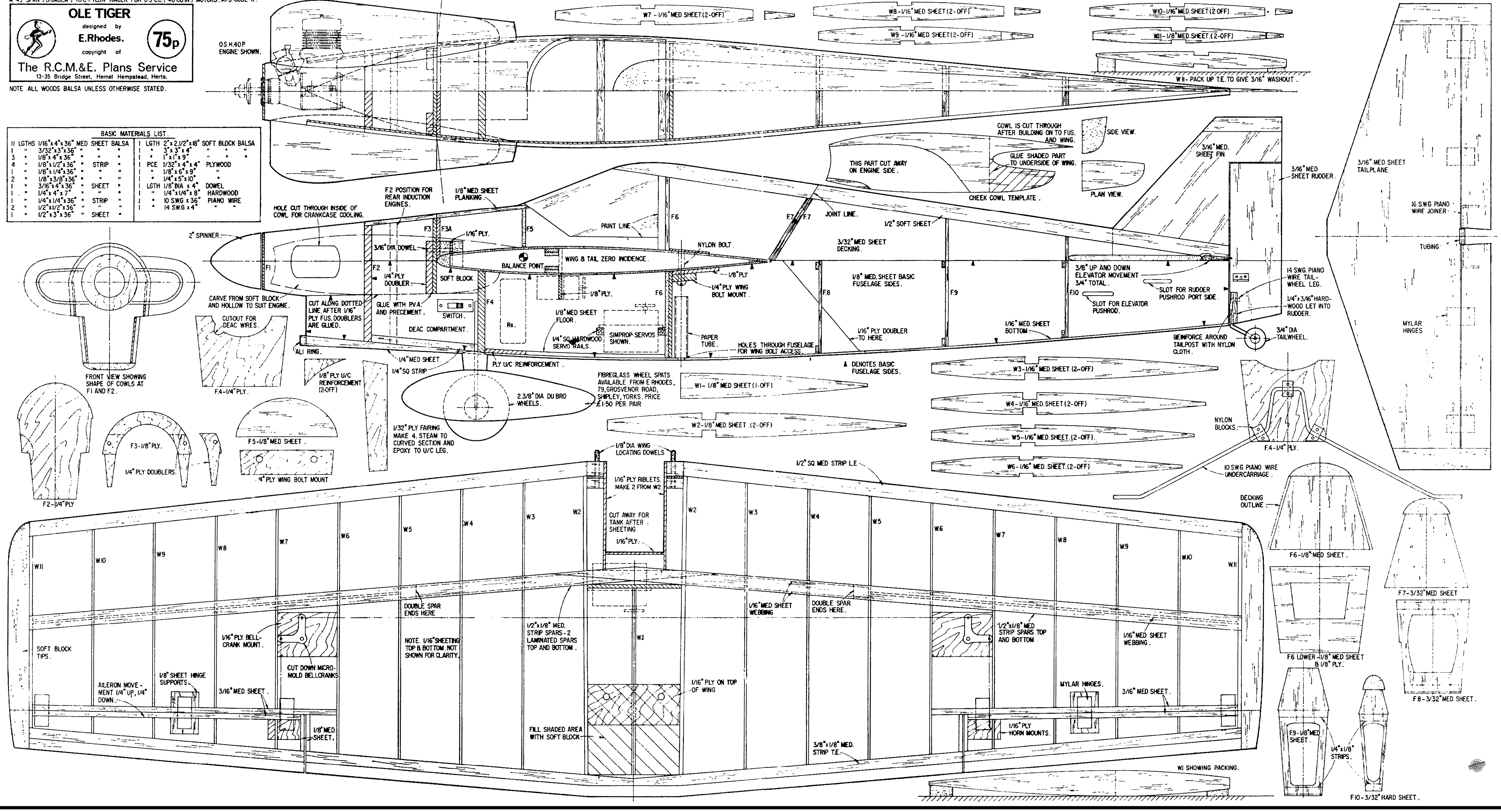
75p

The R.C.M.&E. Plans Service
 13-35 Bridge Street, Hemel Hempstead, Herts.

NOTE ALL WOODS BALSAs UNLESS OTHERWISE STATED.

BASIC MATERIALS LIST

11 LGTHS 1/16" x 4" x 36" MED SHEET BALSAs	1 LGTH 2" x 2 1/2" x 18" SOFT BLOCK BALSAs
1 3/32" x 3" x 36"	3 3" x 3" x 4"
1 1/8" x 4" x 36"	1 1" x 1" x 9"
4 1/8" x 1/2" x 36" STRIP	1 PCE 1/32" x 4" x 4" PLYWOOD
1 1/8" x 1/4" x 36"	1 1/8" x 6" x 19"
1 1/8" x 3/8" x 36"	1 1/4" x 5" x 10"
1 3/16" x 4" x 36" SHEET	1 LGTH 1/8" DIA x 4" DOWEL
1 1/4" x 4" x 7"	1 HARDWOOD
1 1/4" x 1/4" x 36" STRIP	10 SWG x 36" PLANO WIRE
2 1/2" x 1/2" x 36" SHEET	14 SWG x 4"
1 1/2" x 3" x 36" SHEET	



F10-3/32" HARD SHEET