

16SWG TUBE x 1/8" EPOXY OR SOLDER IN CORNER OF CABANE FOR RIGGING WIRES

12 SWG RAILS

WOOD SCREW

ALTERNATIVE COWL

HDWD BLOCK

C.1.

C.2.

1/8" DOWEL

SEE SKETCH BELOW RIGHT FOR DETAILS ON ENGINE MOUNT

F.1.

F.2.

3/32" SHT FILL

8mm PLY x 2 LAYERS

5/8"

5/8"

7/16"

FRONT 2 1/2"

REAR 3"

3 3/8" CRS

CABANE DIMENSIONS ON CENTRES

SEE OVER FOR U/C DETAILS

15mm PLY IS DENOTED BY

15mm PLY

WING POSITION

BIND & SOLDER

BALANCE

14 SWG FRONT STRUT

VICKERS M.G.

F.4.

F.5.

REMOVABLE HATCH

F.3.

1/4" x 5/16"

SERVOS

BATTERIES

3/16" SHT

ALI TUBE

15mm PLY

5mm x 3/4" PLY

1/8" x 1/4" SPRUCE + 14 SWG TUBE

3/16" SHT, DENOTED BY

F.9.

3mm PLY

14 SWG BRASS TUBE BIND & EPOXY TO F.9.

15mm PLY IS DENOTED BY

15mm PLY

15mm PLY

3/32" x 1/4" SPRUCE FALSE STRUT

16 SWG TUBE

REAR STRUT 14 SWG

1/16" SHT

RUBBER TUBE

F.10.

F.10a.

SOFT BLOCK

F.12.

F.14.

3/16" SQ TOP LONGERON

3/32" x 3/16" STRINGERS

16 SWG TUBE

WASHER

3/16" SHT BIND & EPOXY

16 SWG RIGGING TUBES

PLY

F.7.

TUBE

14 SWG

CLAMPS

SKETCH OF CABANE

SEW & EPOXY

SEW & EPOXY

ALTERNATIVE WING FIXING

12 SWG BRASS TUBE SEW & EPOXY TO WING

12 SWG DOUBLE SADDLE CLAMPS

SOFT BLOCK

F.10.

F.10a.

3/16" SQ TOP LONGERON

3/32" x 3/16" STRINGERS

16 SWG TUBE

WASHER

3/16" SHT BIND & EPOXY

16 SWG RIGGING TUBES

PLY

F.7.

TUBE

14 SWG

CLAMPS

SKETCH OF CABANE

SEW & EPOXY

SEW & EPOXY

SEW & EPOXY

SEW & EPOXY

SEW & EPOXY

SEW & EPOXY

SEW & EPOXY

12 SWG DOUBLE SADDLE CLAMPS

SOFT BLOCK

F.10.

F.10a.

3/16" SQ TOP LONGERON

3/32" x 3/16" STRINGERS

16 SWG TUBE

WASHER

3/16" SHT BIND & EPOXY

16 SWG RIGGING TUBES

PLY

F.7.

TUBE

14 SWG

CLAMPS

SKETCH OF CABANE

SEW & EPOXY

SEW & EPOXY

SEW & EPOXY

SEW & EPOXY

SEW & EPOXY

SEW & EPOXY

SEW & EPOXY

SEW & EPOXY

SEW & EPOXY

12 SWG DOUBLE SADDLE CLAMPS

SOFT BLOCK

F.10.

F.10a.

3/16" SQ TOP LONGERON

3/32" x 3/16" STRINGERS

16 SWG TUBE

WASHER

3/16" SHT BIND & EPOXY

16 SWG RIGGING TUBES

PLY

F.7.

TUBE

14 SWG

CLAMPS

SKETCH OF CABANE

SEW & EPOXY

SEW & EPOXY

SEW & EPOXY

SEW & EPOXY

SEW & EPOXY

SEW & EPOXY

SEW & EPOXY

SEW & EPOXY

SEW & EPOXY

12 SWG DOUBLE SADDLE CLAMPS

SOFT BLOCK

F.10.

F.10a.

3/16" SQ TOP LONGERON

3/32" x 3/16" STRINGERS

16 SWG TUBE

WASHER

3/16" SHT BIND & EPOXY

16 SWG RIGGING TUBES

PLY

F.7.

TUBE

14 SWG

CLAMPS

SKETCH OF CABANE

SEW & EPOXY

SEW & EPOXY

SEW & EPOXY

SEW & EPOXY

SEW & EPOXY

SEW & EPOXY

SEW & EPOXY

SEW & EPOXY

SEW & EPOXY

12 SWG DOUBLE SADDLE CLAMPS

SOFT BLOCK

F.10.

F.10a.

3/16" SQ TOP LONGERON

3/32" x 3/16" STRINGERS

16 SWG TUBE

WASHER

3/16" SHT BIND & EPOXY

16 SWG RIGGING TUBES

PLY

F.7.

TUBE

14 SWG

CLAMPS

SKETCH OF CABANE

SEW & EPOXY

SEW & EPOXY

SEW & EPOXY

SEW & EPOXY

SEW & EPOXY

SEW & EPOXY

SEW & EPOXY

SEW & EPOXY

SEW & EPOXY

12 SWG DOUBLE SADDLE CLAMPS

SOFT BLOCK

F.10.

F.10a.

3/16" SQ TOP LONGERON

3/32" x 3/16" STRINGERS

16 SWG TUBE

WASHER

3/16" SHT BIND & EPOXY

16 SWG RIGGING TUBES

PLY

F.7.

TUBE

14 SWG

CLAMPS

SKETCH OF CABANE

SEW & EPOXY

SEW & EPOXY

SEW & EPOXY

SEW & EPOXY

SEW & EPOXY

SEW & EPOXY

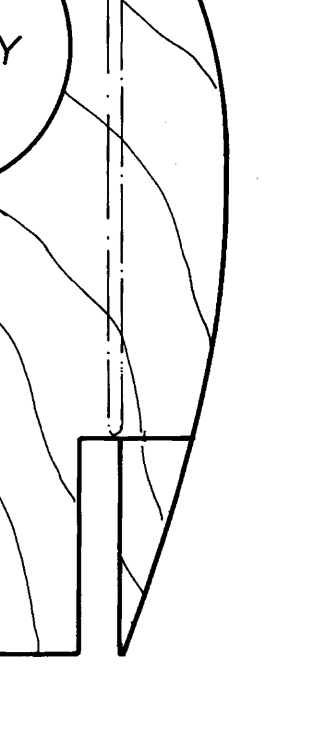
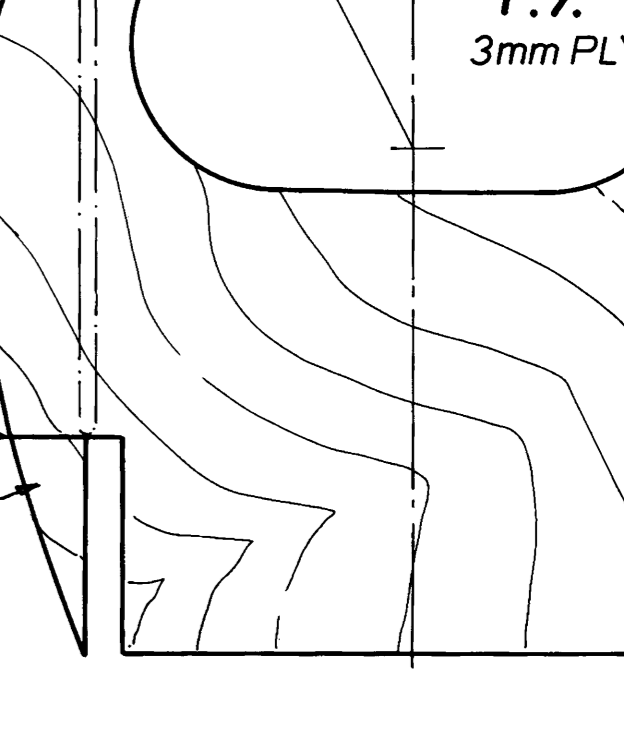
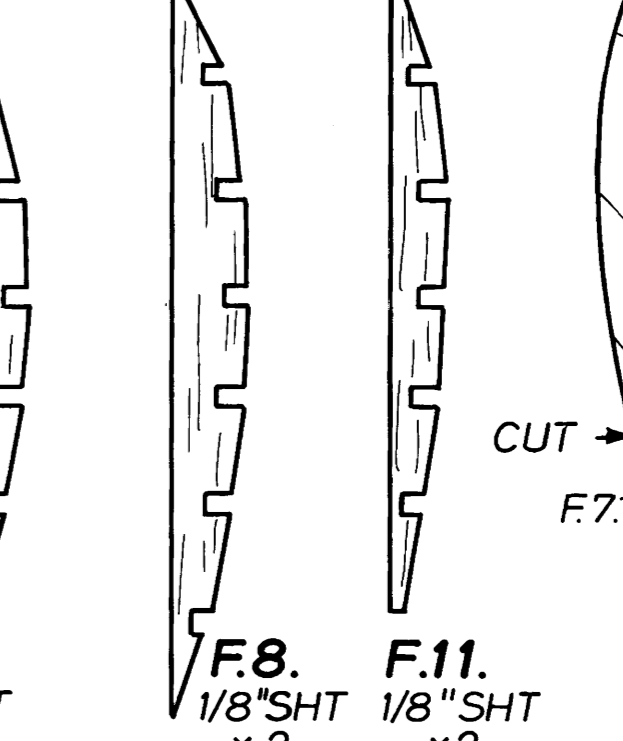
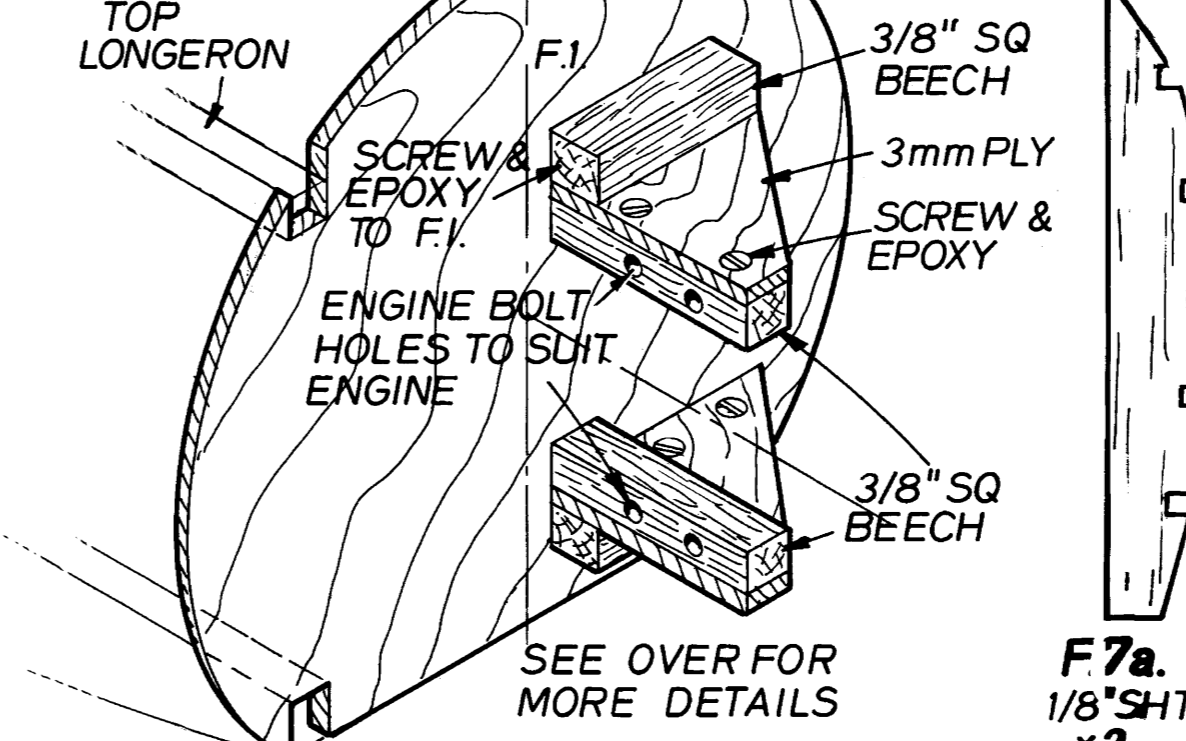
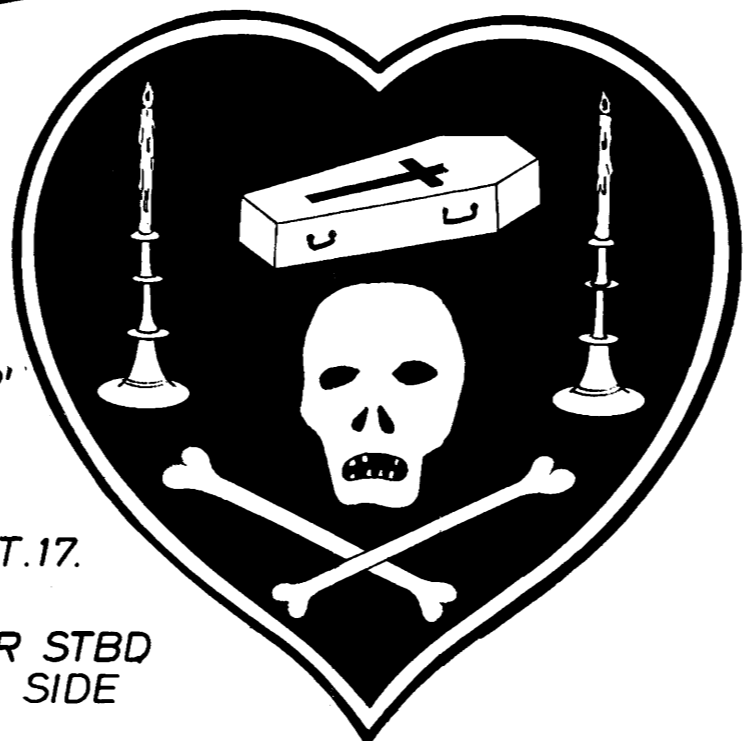
SEW & EPOXY

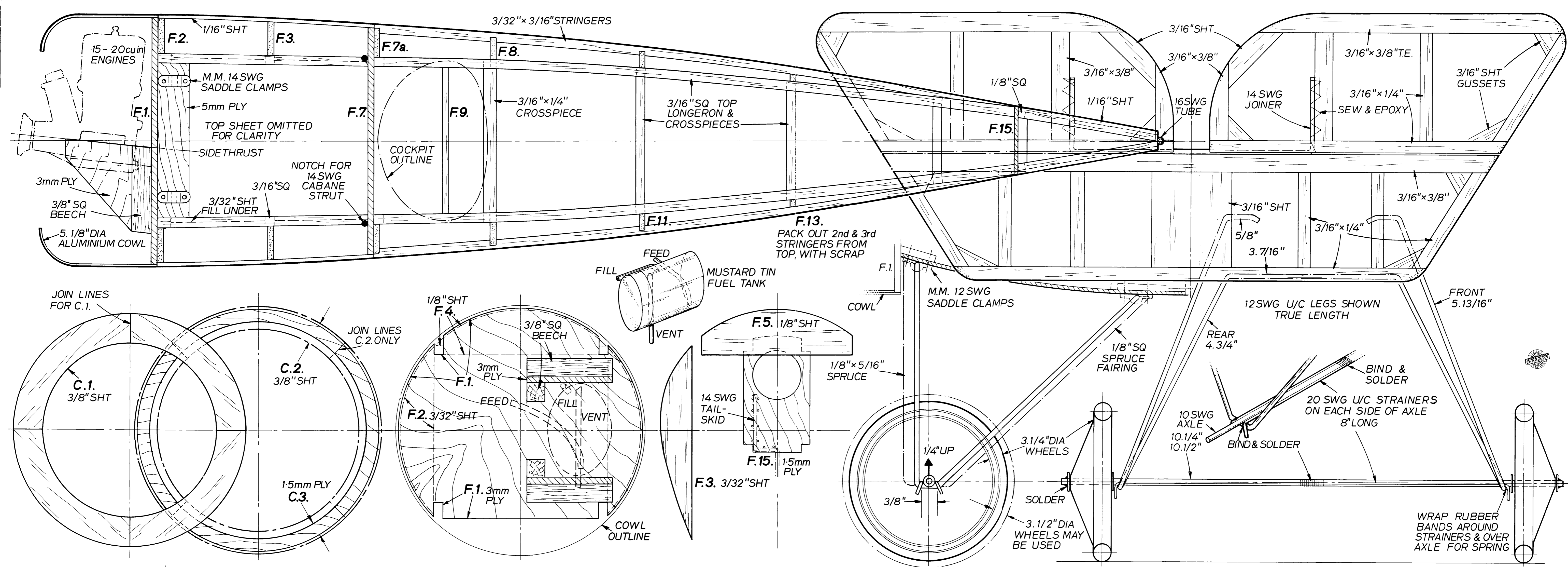
SEW & EPOXY

SEW & EPOXY

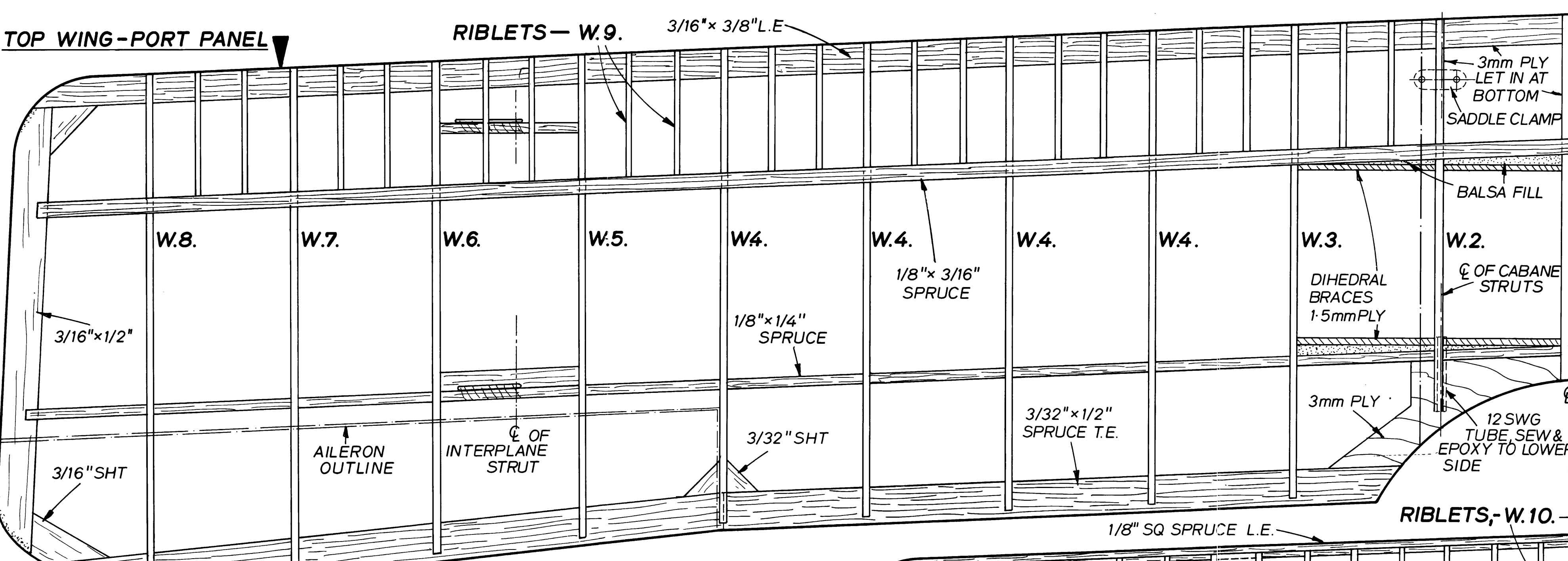
THE INSIGNIA AS SHOWN IS THE PERSONAL INSIGNIA OF 'LT CHARLES NUNGESSER' COLOUR - BLACK & WHITE FOR MORE DETAILS SEE PROFILE N° 49 - NIEUPORT.17.

INSIGNIA AS SHOWN IS FOR STBD SIDE. REVERSE FOR PORT SIDE

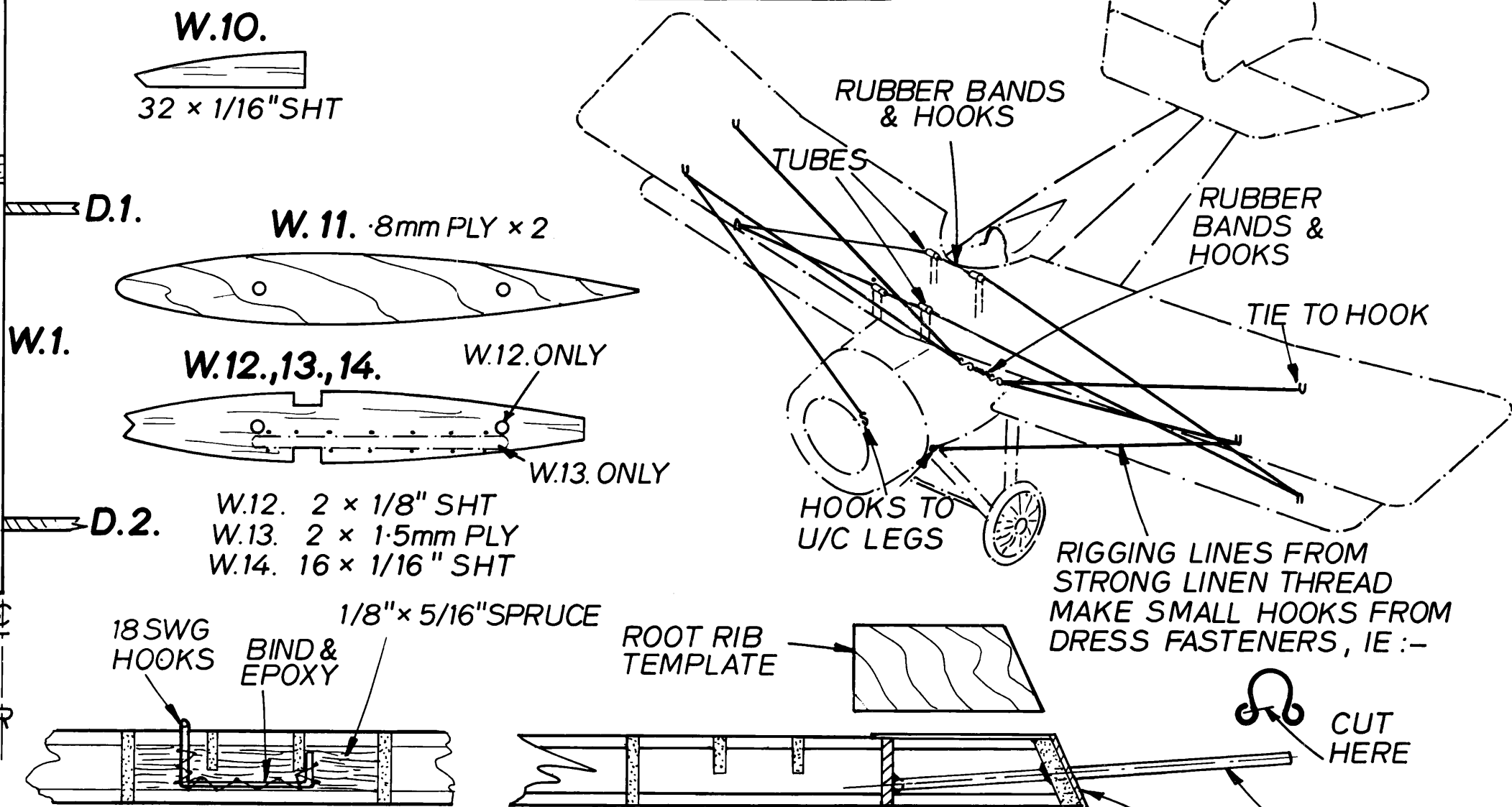




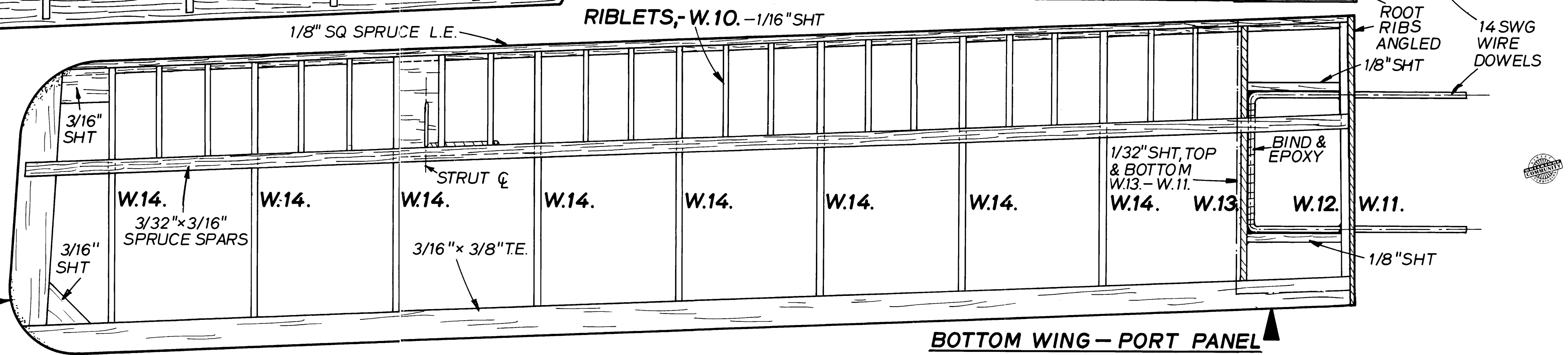
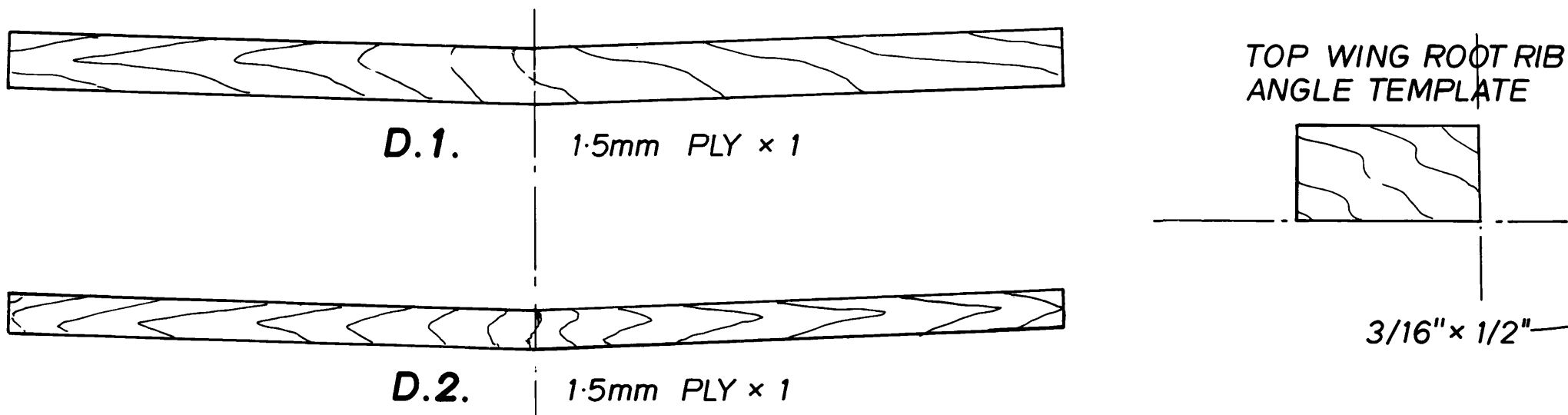
TOP WING-PORT PANEL



RIGGING DIAGRAM



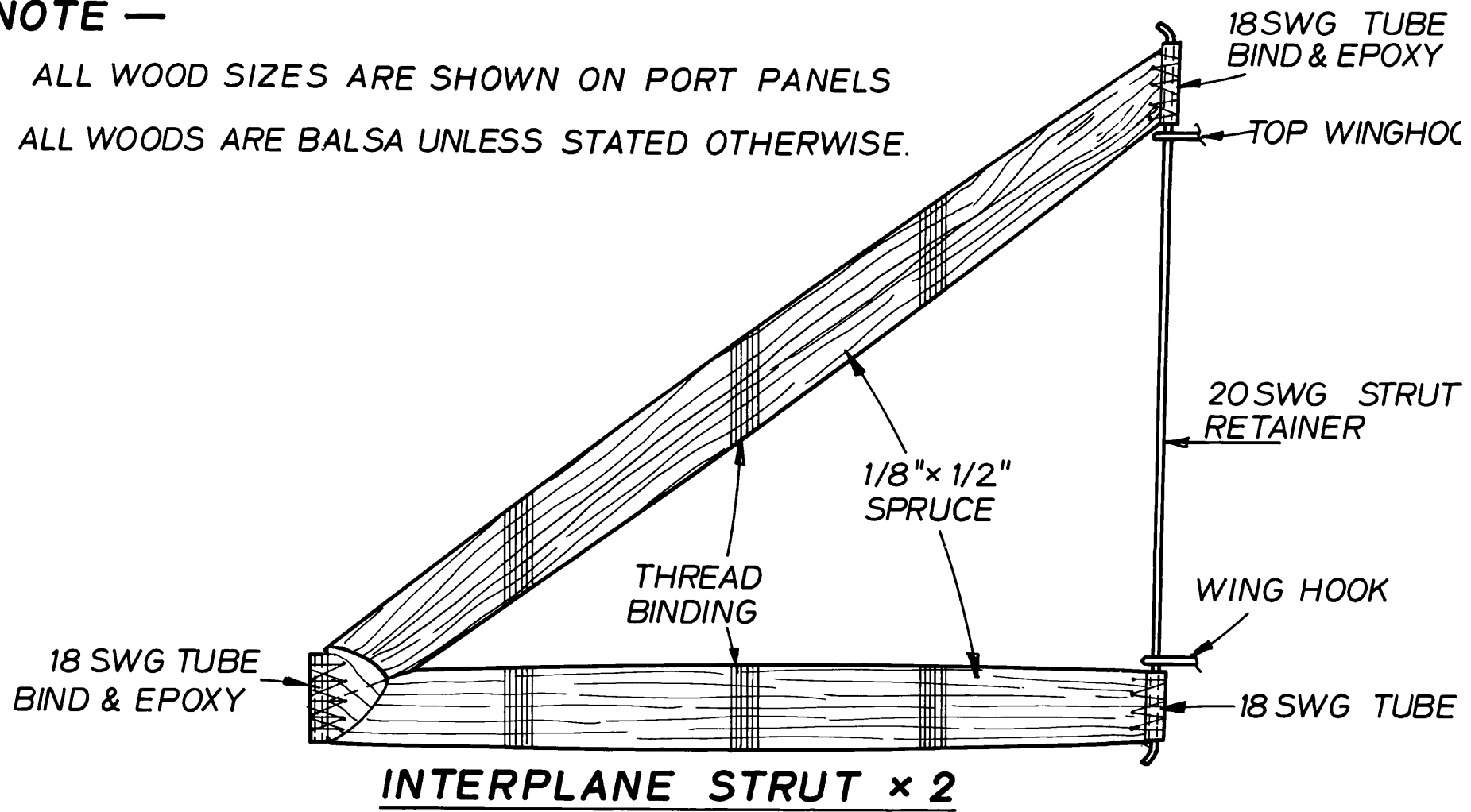
TOP WING RIBS ON OTHER SIDE



BOTTOM WING - PORT PANEL

NOTE —

ALL WOOD SIZES ARE SHOWN ON PORT PANELS
ALL WOODS ARE Balsa UNLESS STATED OTHERWISE.



LOWER WING RIBS ON OTHER SIDE

