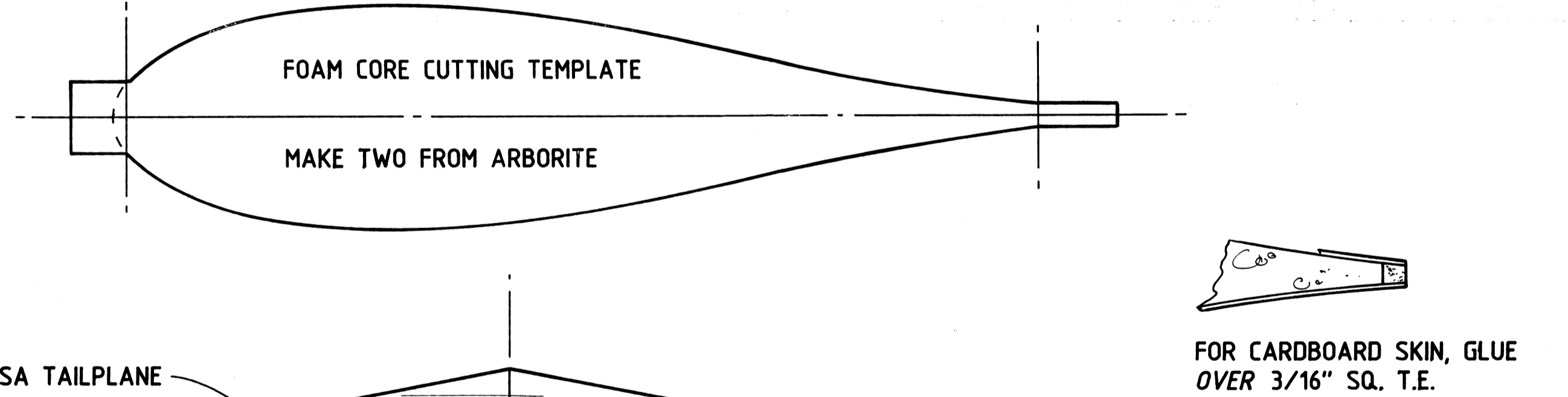
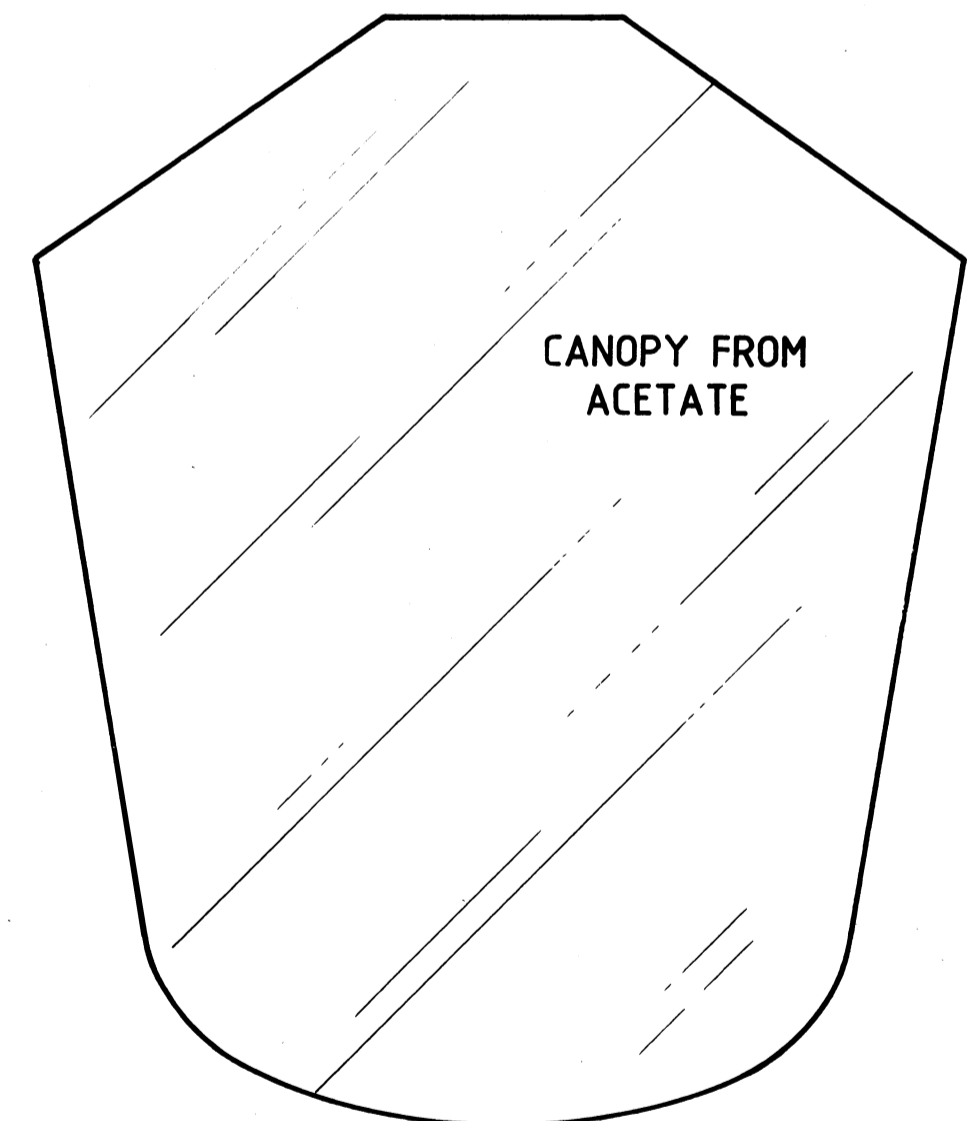
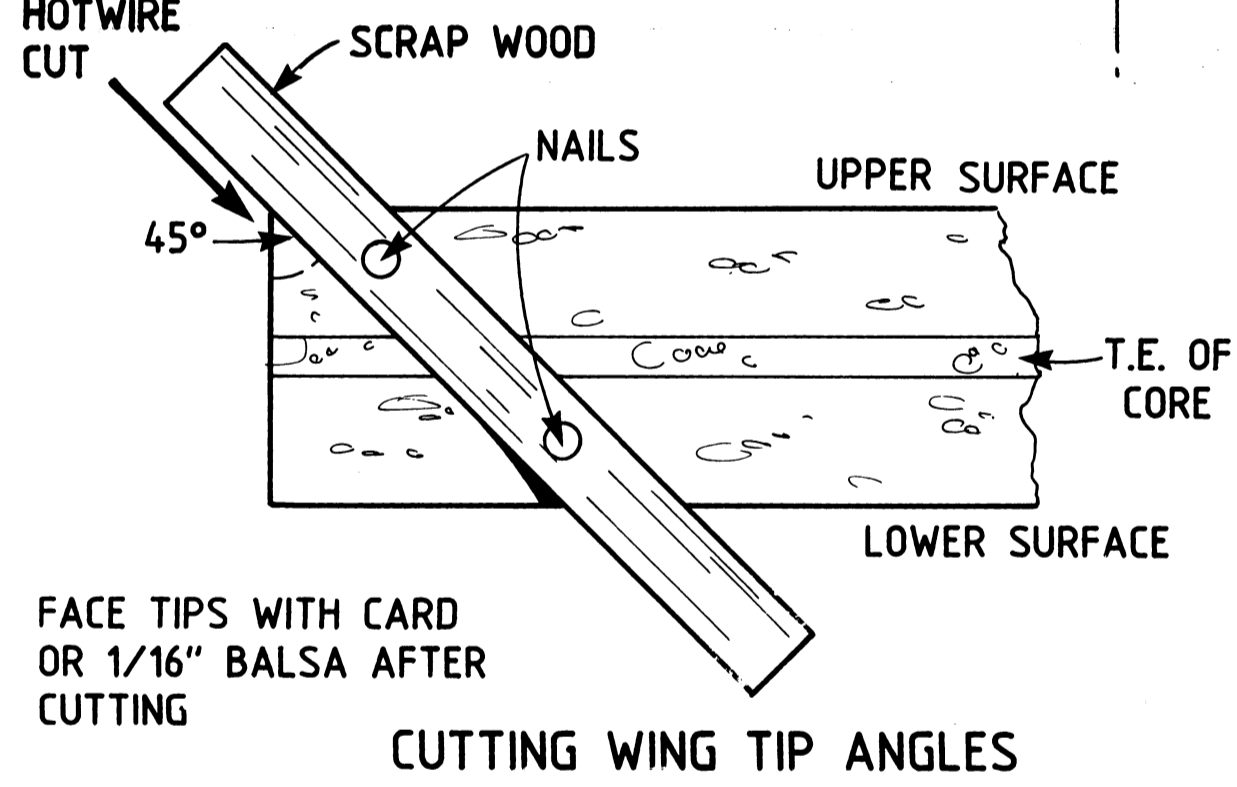
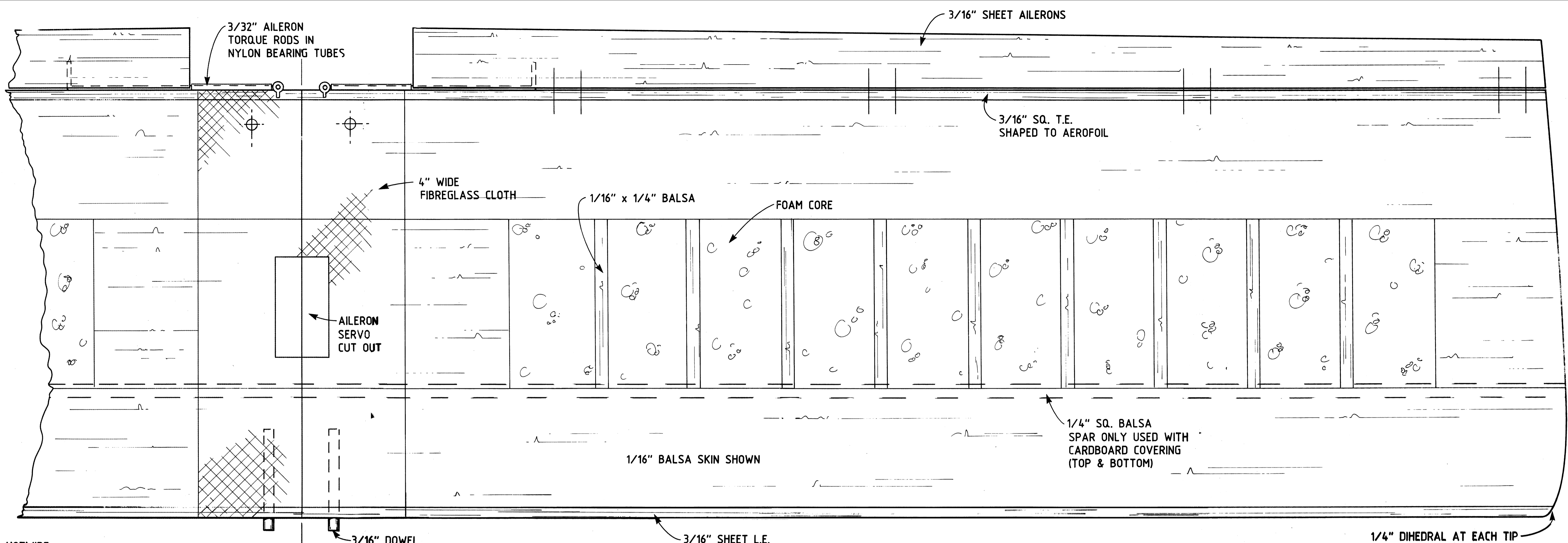


MANXMAN

DESIGNED BY
DR. F. W. KNOX.

A 49" SPAN LOW WING SPORTS MODEL FOR
.40 cu.in. ENGINES & 4 FUNCTION R/C.





NOTE: MAKE WINGS & CUT OUT TAIL AND CANOPY BEFORE ASSY OF PLAN FOR FUSELAGE

