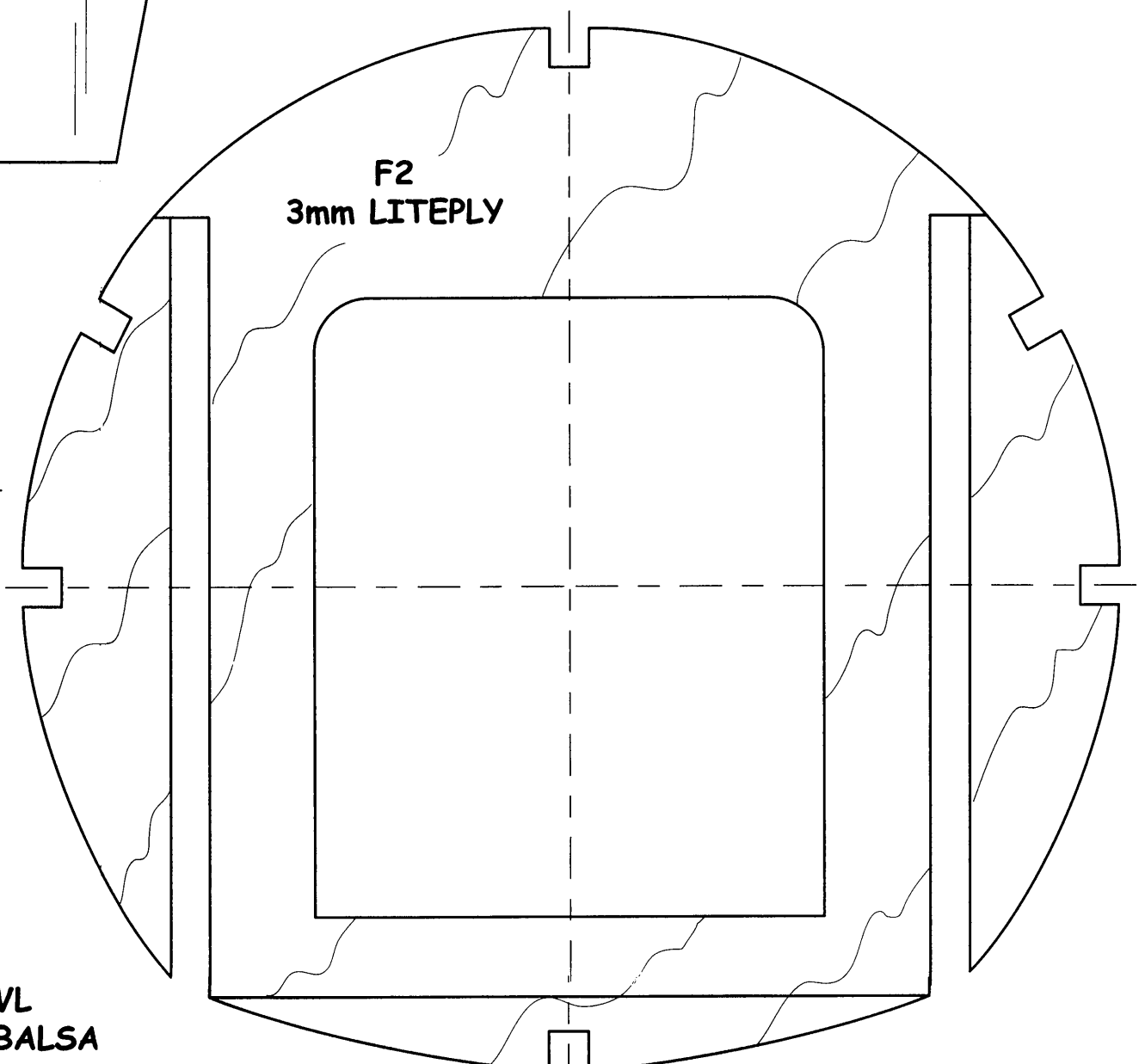
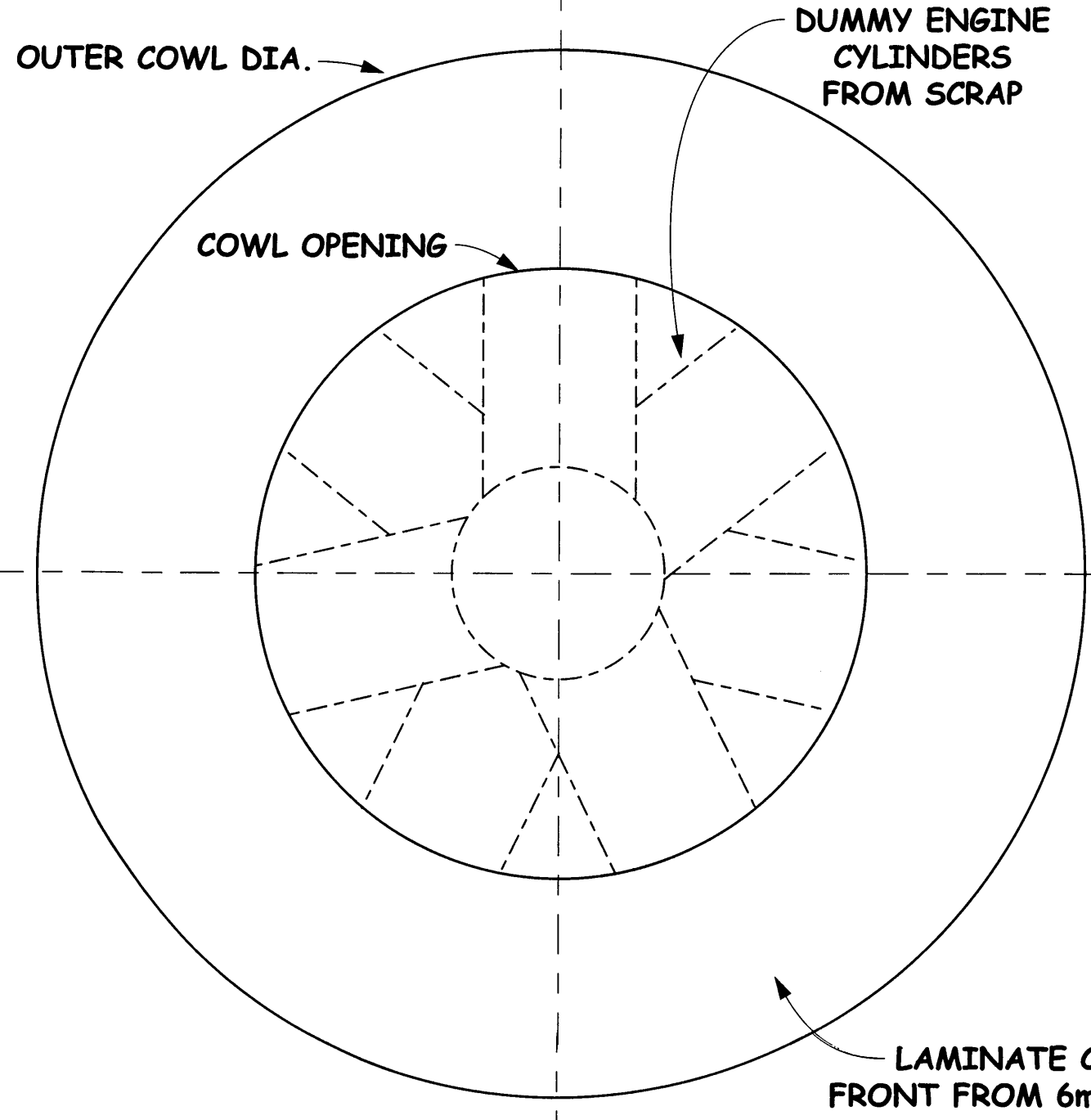
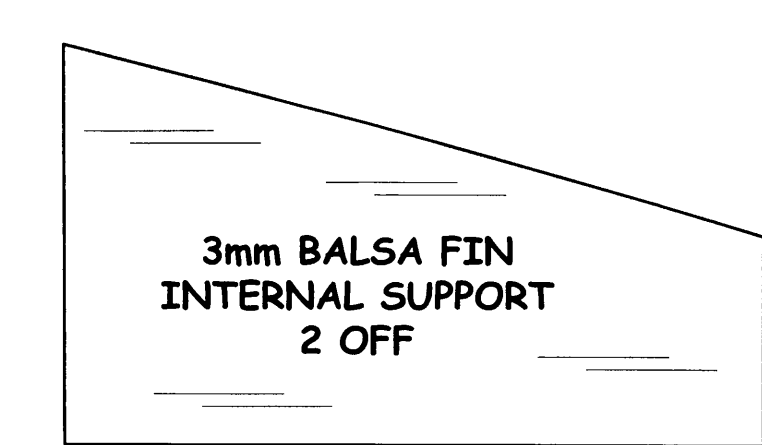
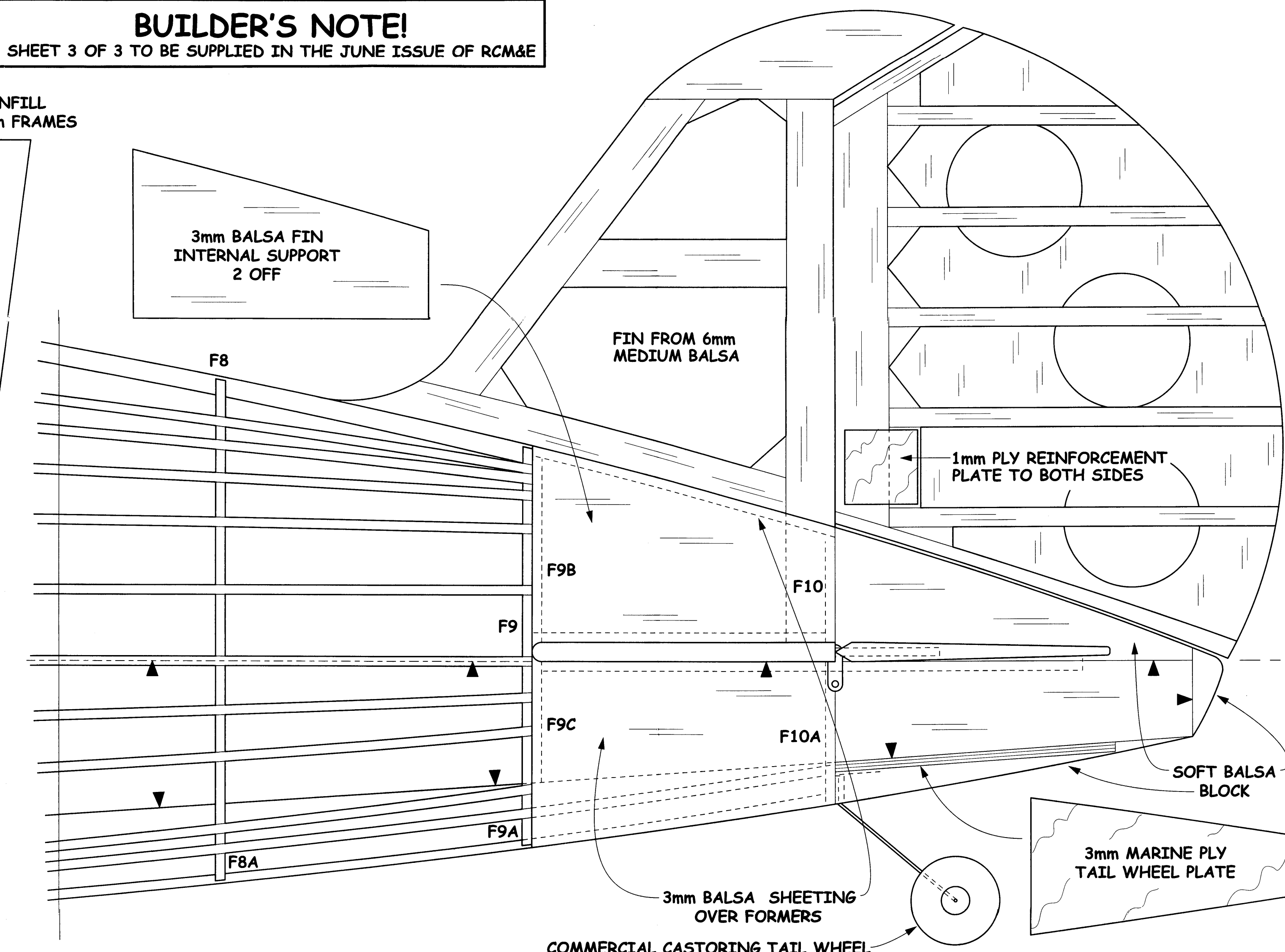
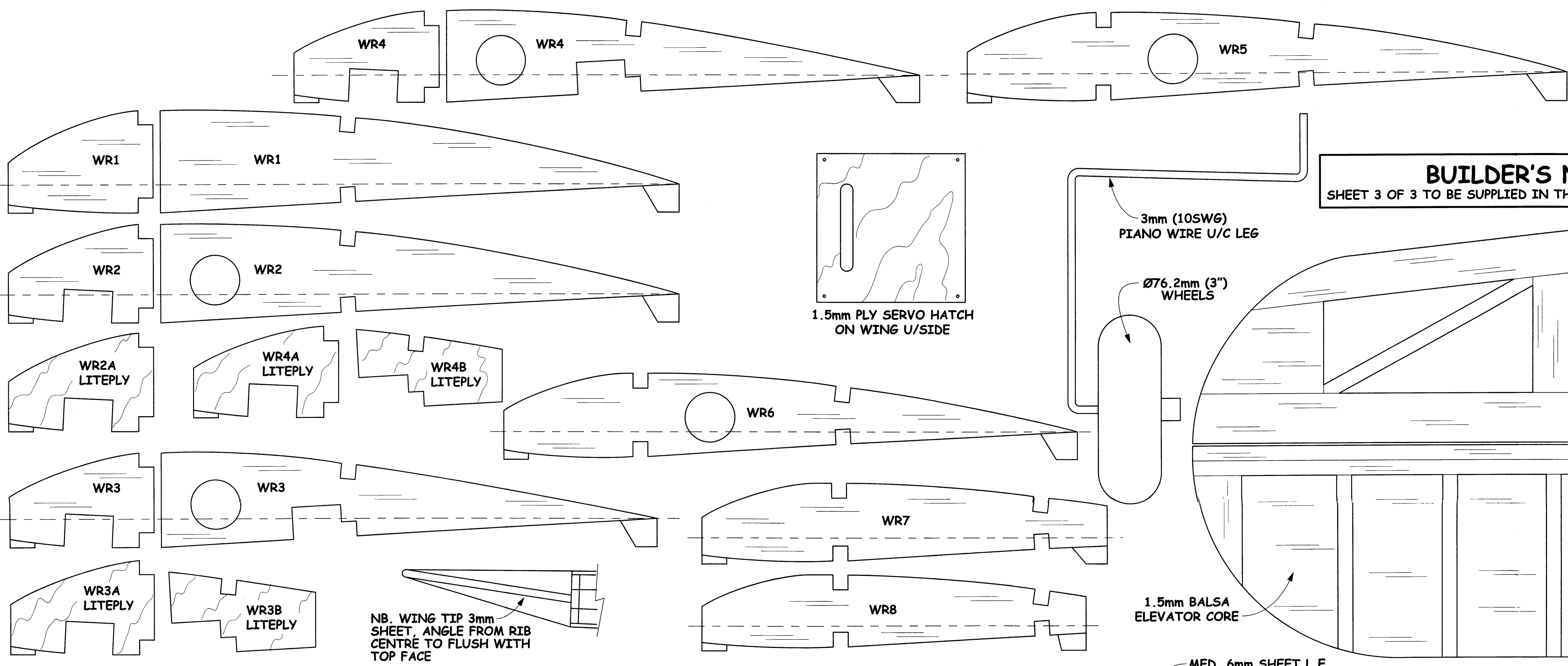


3mm Balsa TAIL INFILL TO TOP OF INNER 6mm FRAMES



BUILDER'S NOTE!
 SHEET 3 OF 3 TO BE SUPPLIED IN THE JUNE ISSUE OF RCM&E





BUILDER'S NOTE!
 SHEET 3 OF 3 TO BE SUPPLIED IN THE JUNE ISSUE OF RCM&E

