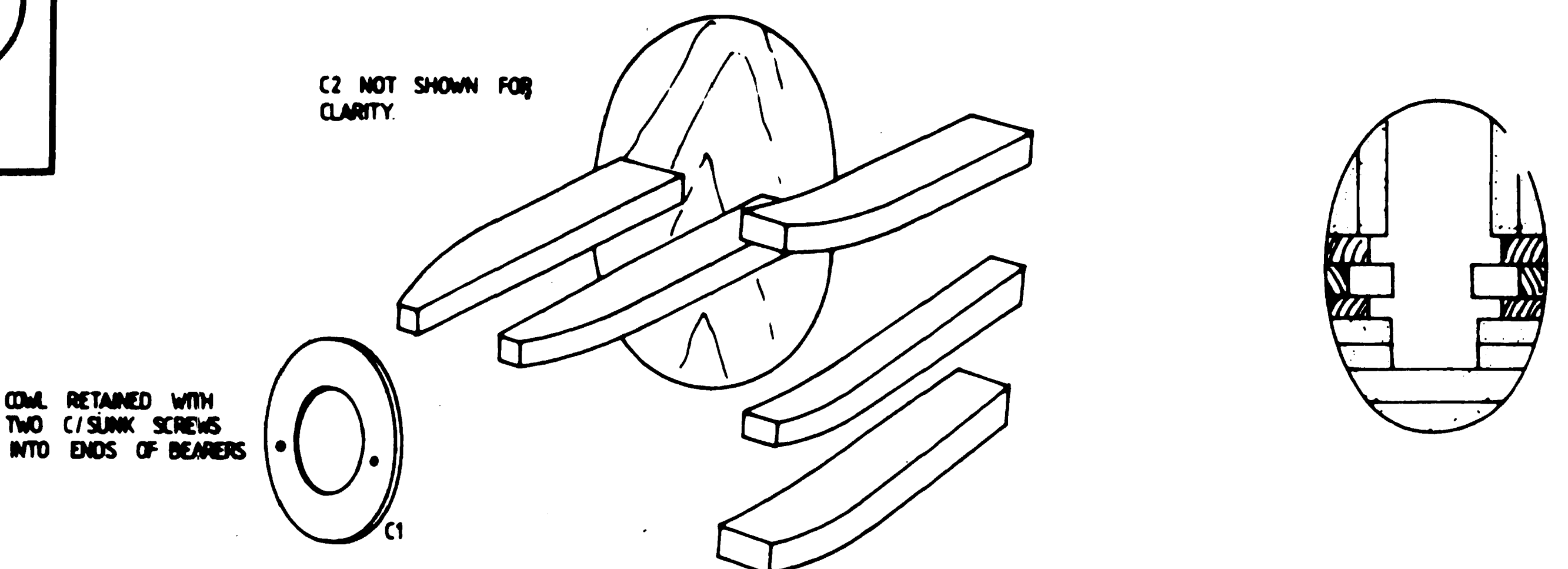
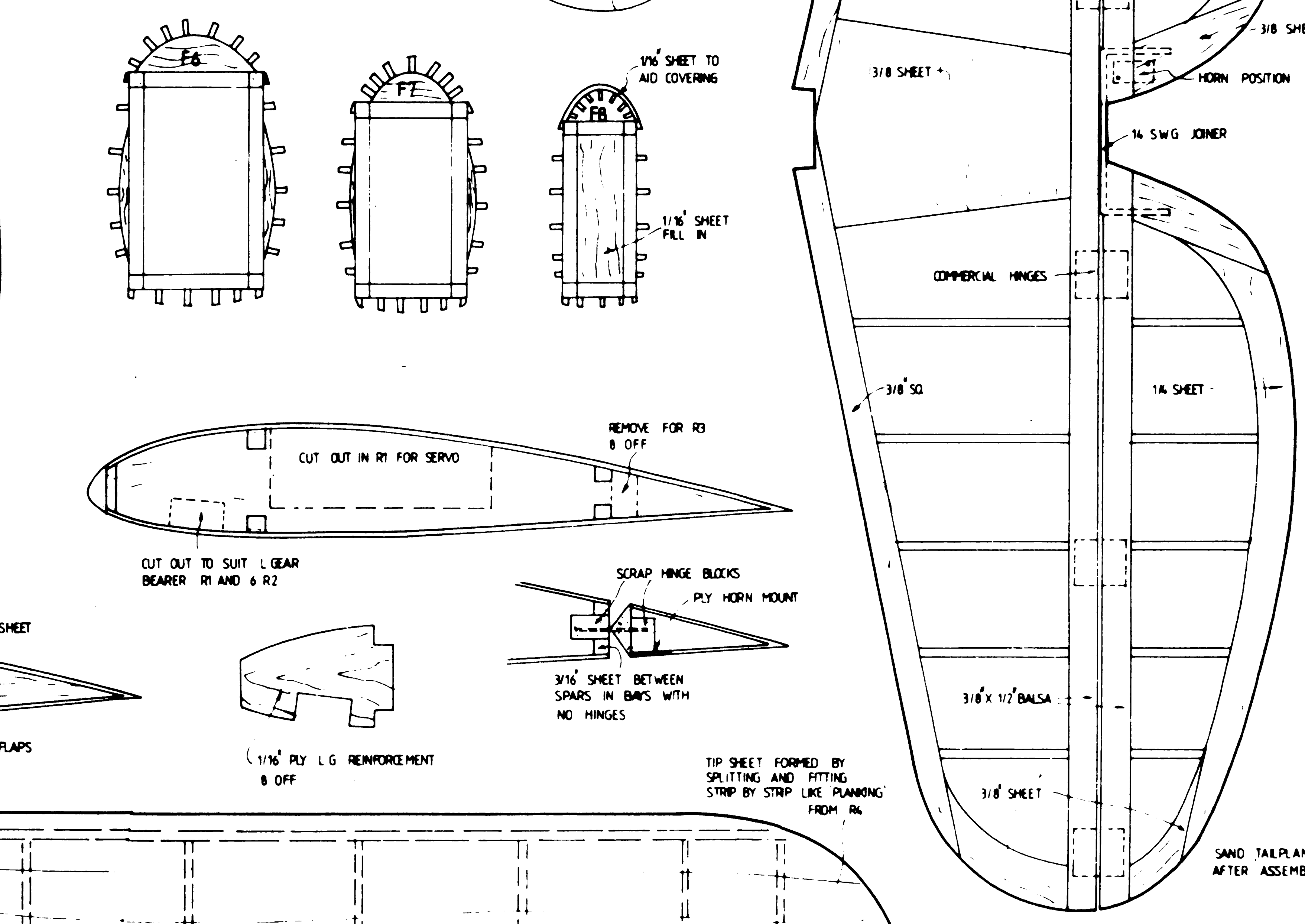
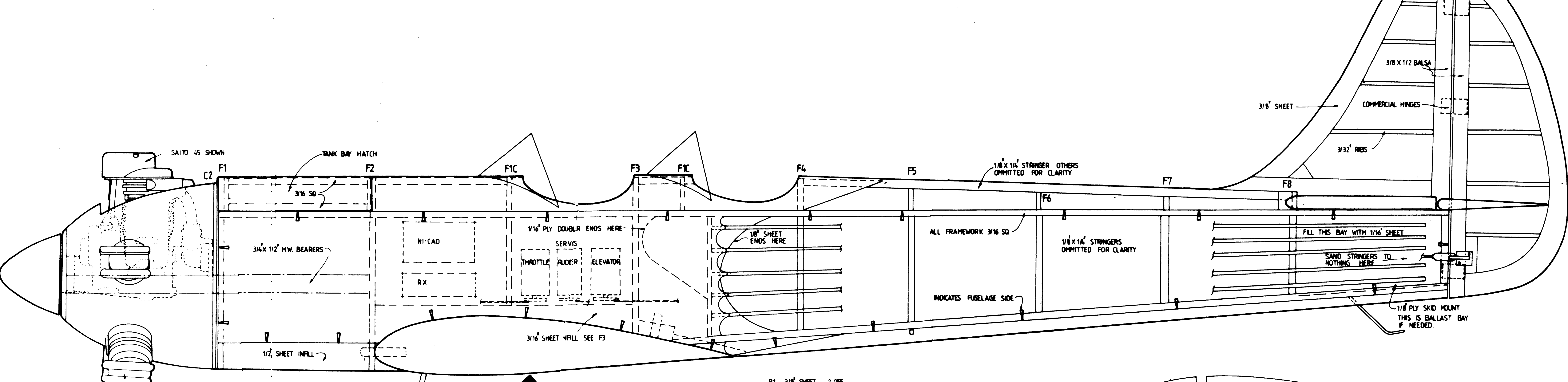
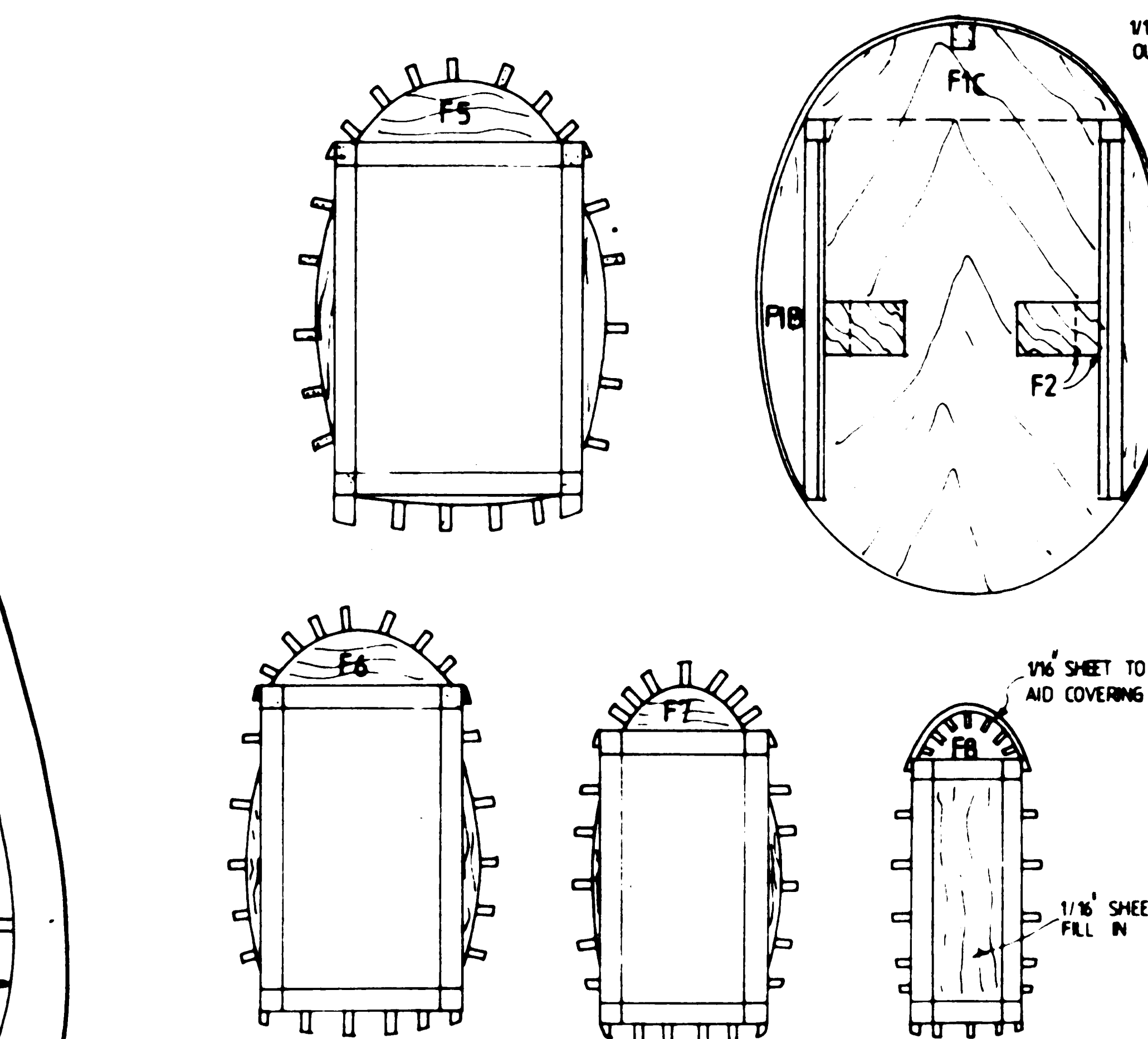
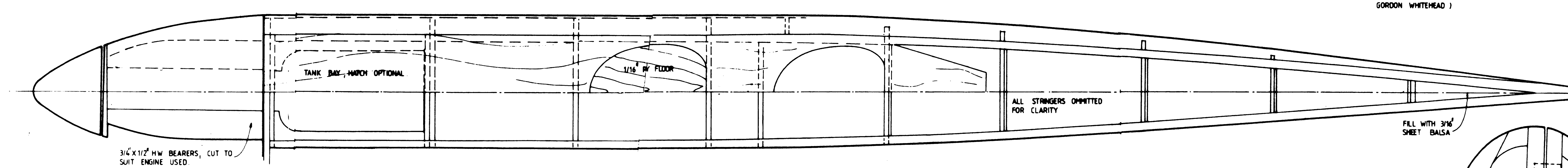
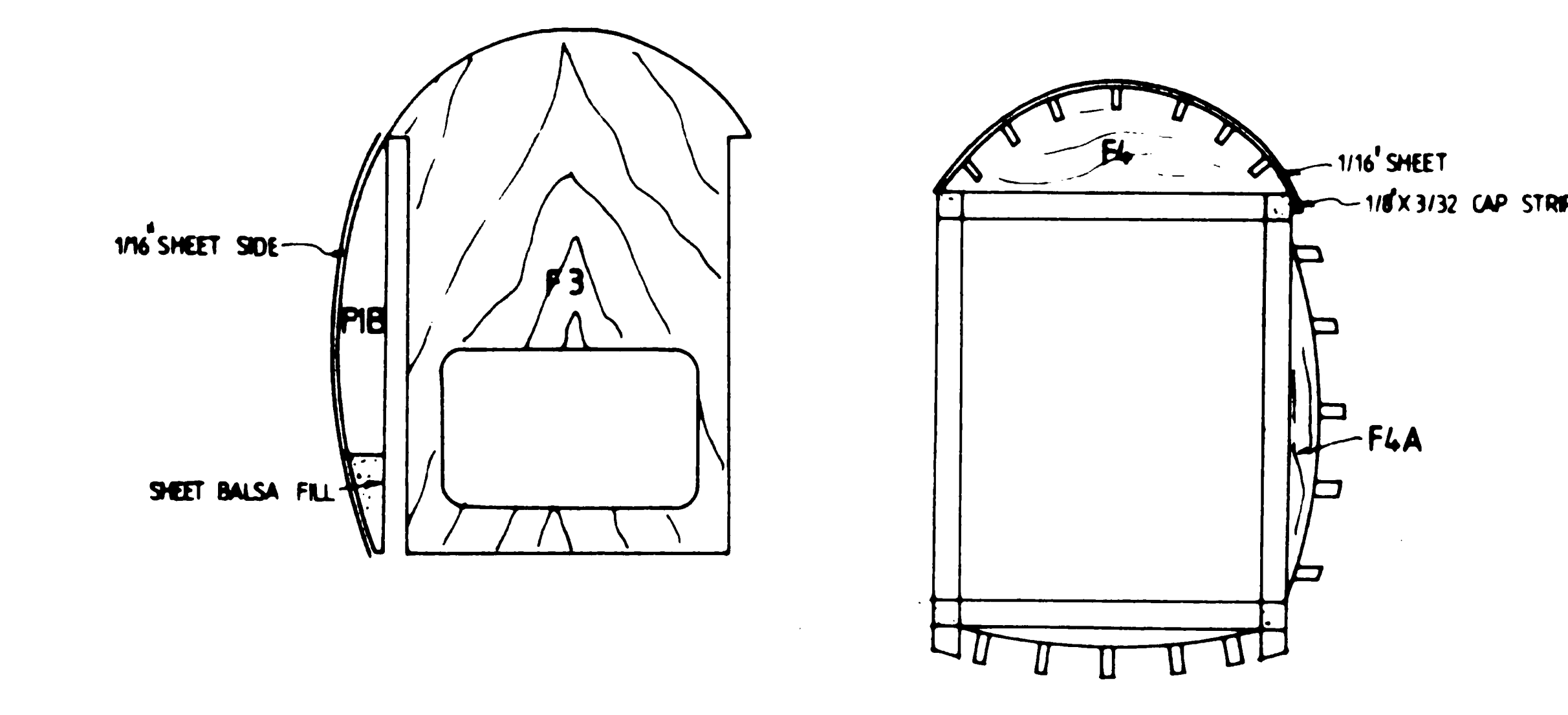
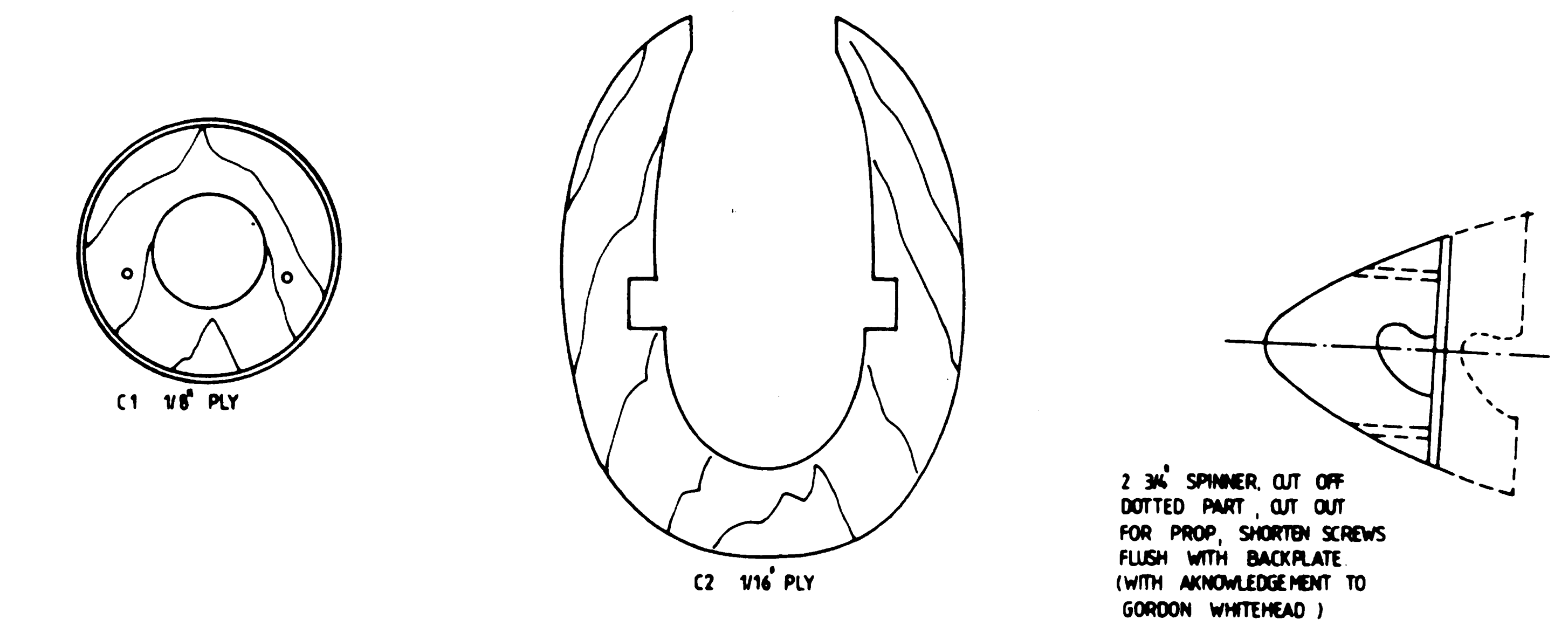


FOR 35-40 CU IN 2 STROKES
 OR 40-45 CU IN 4 STROKES
 CONTROL THROWS
 RUDDER 1 1/4" EACH WAY
 ELEVATOR 1/2" EACH WAY
 AILERON 1/2" EACH WAY
 FLAPS (OPTIONAL) 45° MIN



3 LAMINATIONS OF 1/2" SHEET MAKES TIGHT FITTING CHANNEL OVER BEARERS - DO NOT GLUE TO BEARERS
 BUILD UP BALANCE OF COWL WITH 1/2" SHEET OR BLOCK HOLLOW TO SUIT.



- R1 3/8" SHEET 2 OFF
- R2 1/4" SHEET 2 OFF
- R3 3/32" SHEET 10 OFF
- R4 CUT AS SHOWN FOR AILERON
- R5 3/32" SHEET 8 OFF
- R6 3/32" SHEET 2 OFF

