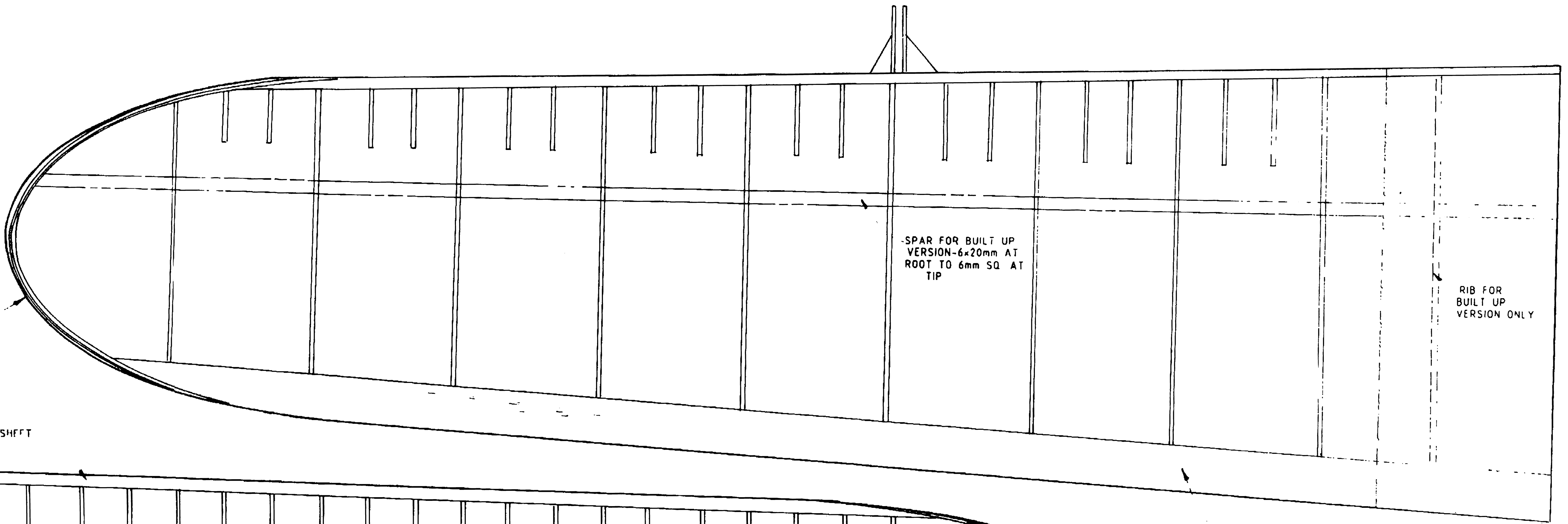


AVRO 560
DESIGNED BY
Dave Chinnery
RCM&E Plans Service

4 1/8 SCALE MODEL FOR ELECTRIC BUGGY MOTORS
 & 5 TO 7 CELLS & TWO FUNCTION R/C WITH A
 58" WINGSPAN & LENGTH OF 31"

ALL WOOD BALSAs UNLESS OTHERWISE STATED

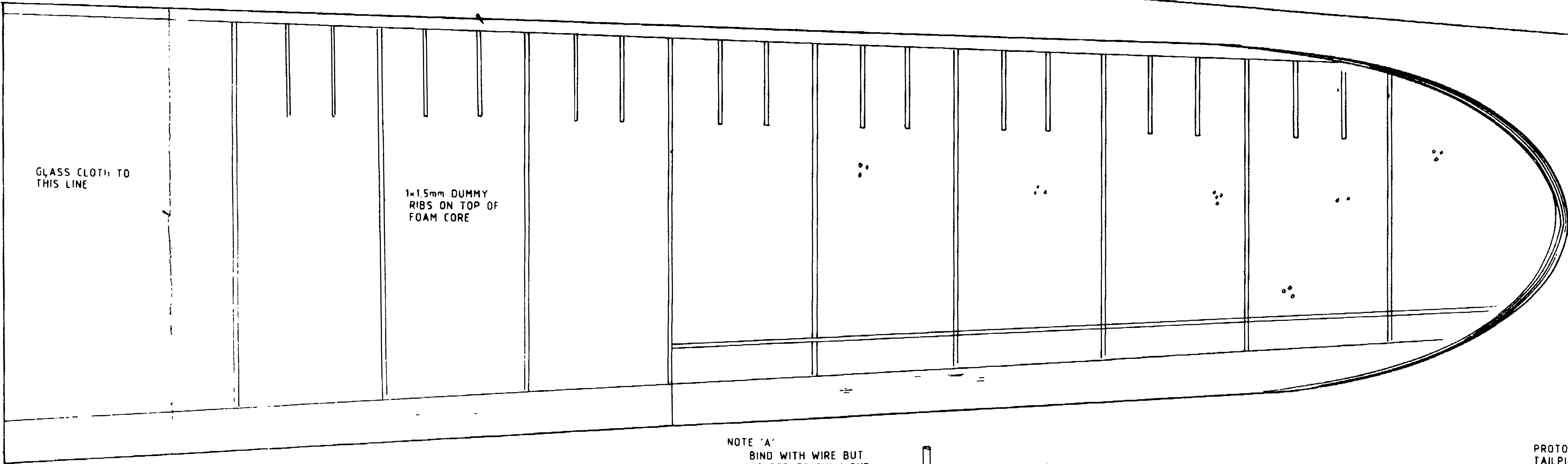


LAMINATE TIPS FROM
 3 OR 4 LAYERS OF
 15mm BALSAs SHEET
 ROLLED TO A CURVE

LE FROM 3/16" MED SHEET

SPAR FOR BUILT UP
 VERSION-6x20mm AT
 ROOT TO 6mm SQ. AT
 TIP

RIB FOR
 BUILT UP
 VERSION ONLY

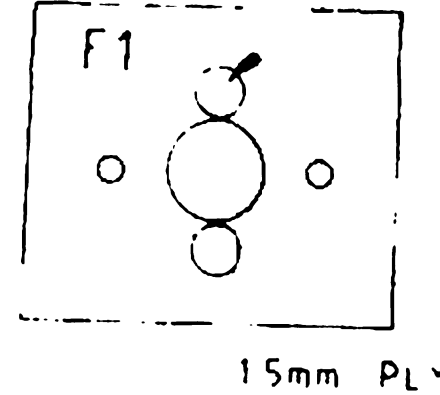


GLASS CLOTH TO
 THIS LINE

1x15mm DUMMY
 RIBS ON TOP OF
 FOAM CORE

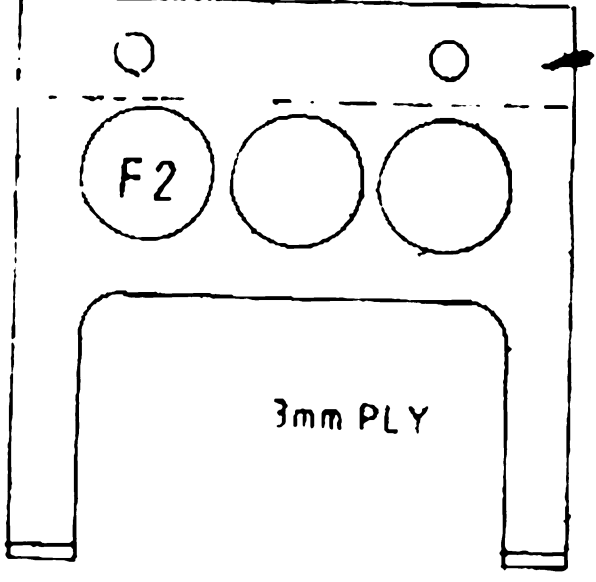
1/4"x5/8" TRAILING EDGE
 MEDIUM BALSAs

DIHEDRAL 7.5mm
 (ALL-ON) 30mm



HOLES SHOWN
 TO SUIT ASTRO
 035 COBALT
 MOTORS

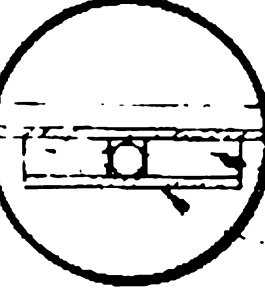
15mm PLY



DOWEL BLOCK - AS FOR F3

3mm PLY

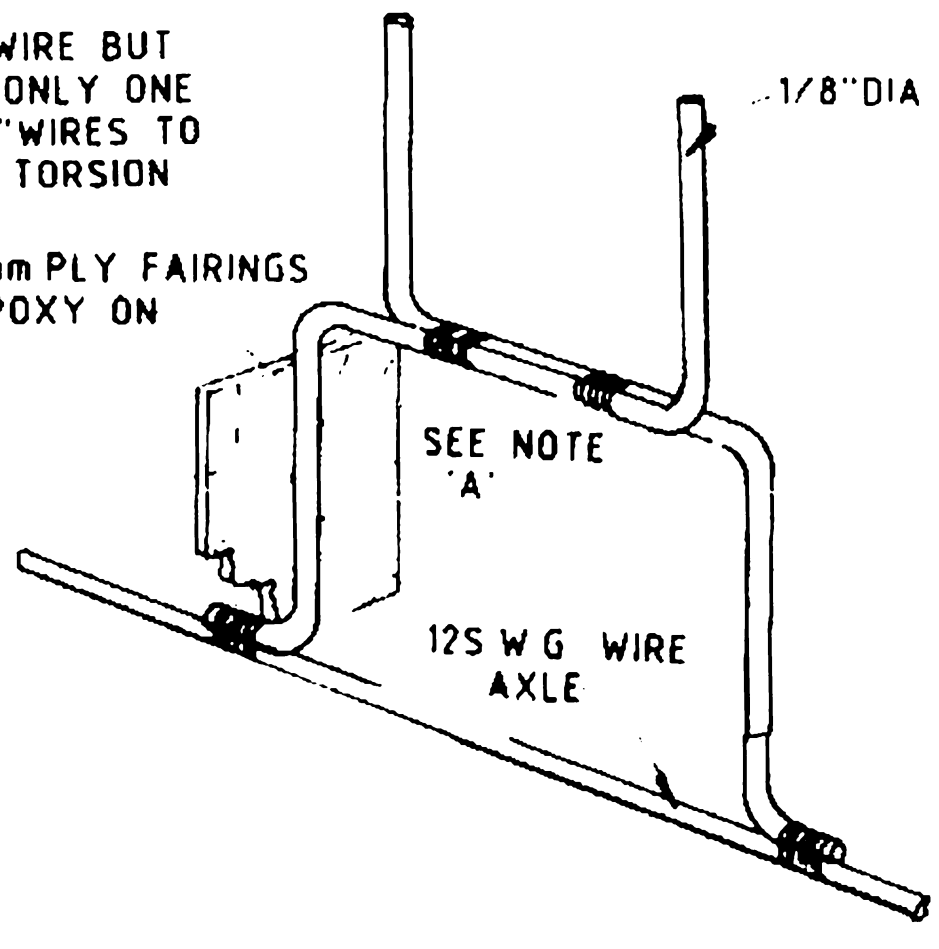
5mm DOWELS



3mm PLY OR SPRUCE
 1mm PLY

DETAIL OF U/C MOUNTING

NOTE 'A'
 BIND WITH WIRE BUT
 SOLDER TO ONLY ONE
 OF THE 1/8" WIRES TO
 ALLOW FOR TORSION

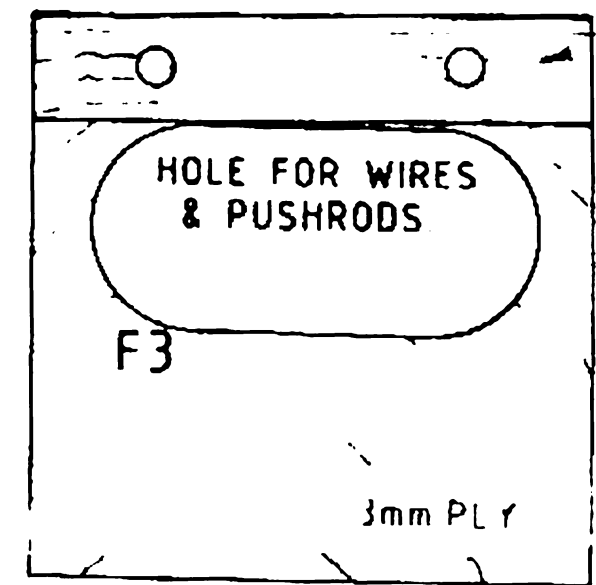


1mm PLY FAIRINGS
 EPOXY ON

1/8" DIA (105 W.G.) PIANO WIRE

SEE NOTE
 'A'

125 W.G. WIRE
 AXLE

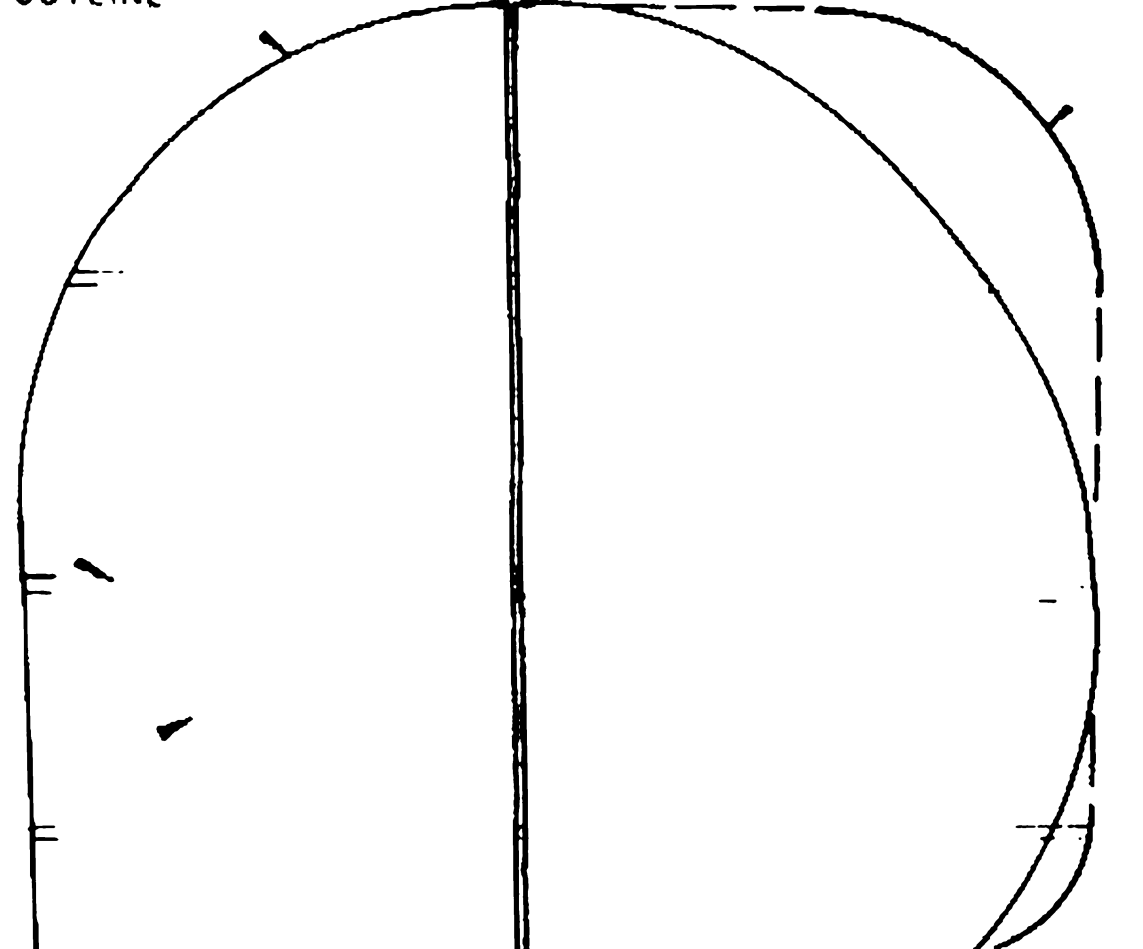


HOLE FOR WIRES
 & PUSHRODS

3mm PLY

DOWEL BLOCK FROM 1/2" SQ
 BEECH OR VERY HARD BALSAs

PROTOTYPE MODEL
 TAILPLANE OUTLINE



SCALE OUTLINE

DUMMY RIBS
 NOT FITTED ON
 PROTOTYPE MODEL

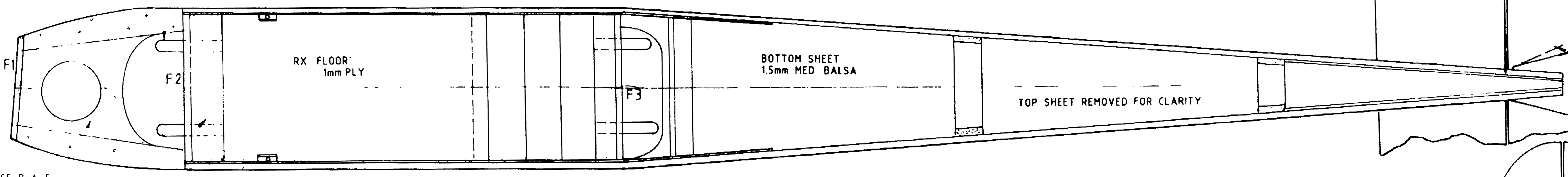
TAILPLANE & ELEVATOR
 FROM 3/32" BALSAs SHEET
 1/4 GRAIN

GLASS BANDAGE & EPOXY

1/16" (165 W.G.) DIA. WIRE
 JOINER

FIN & RUDDER 3/32"
 QUATER GRAIN MED
 BALSAs SHEET

APPROX 5° RIGHT
 SIDE THRUST



RX FLOOR
 1mm PLY

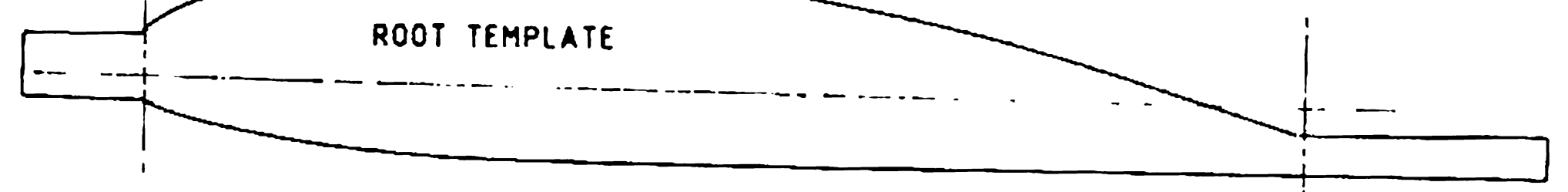
BOTTOM SHEET
 15mm MED BALSAs

TOP SHEET REMOVED FOR CLARITY

1mm PLY FACING

DOWEL BLOCKS FROM 1/2"
 HARD BALSAs OR BEECH

1mm PLY BRACE PLATE
 GLUE ACROSS TOP
 OF 1/2" SHI SIDE
 CHEEKS



ROOT TEMPLATE

FIN EXTENDS DOWN
 TO TAILPLANE

1/16" SHEET TOP

HATCH SIDES
 1/16" SHI

STYROFOAM CORE
 WING

1/16" BALSAs SHEET TOP

FUSELAGE SIDES
 2mm MED/HARD
 SHEET BALSAs

15mm SQ. STRIP ON OUTSIDE
 EXTENDS FROM F2 TO TAILPLANE

EDGE OF 1/32" SHEET
 DOUBLERS.

DOWN THRUST
 APPROX 5°

1/2" HARDSHEET
 (GRAIN VERTICAL)

RX NICAD

RX POSITION

SERVO HERE

FLIGHT PACK
 HERE 3/16" SHI

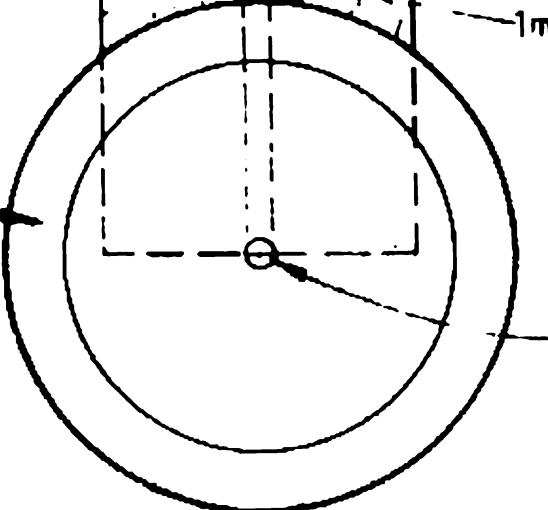
3mm PLY

12x3mm BALSAs FRAME "TYPICAL"

1/16" SHEET BALSAs
 DOUBLERS WITH GRAIN
 SLIGHTLY CROSSED
 LAMINATE WITH PVA

1/16" (165 W.G.) WIRE
 TAIL SKID DOWN &
 GLUED TO PLY PLATE

2 7/8" DIA VINTAGE
 WHEELS



FOR U/C - SEE DETAIL

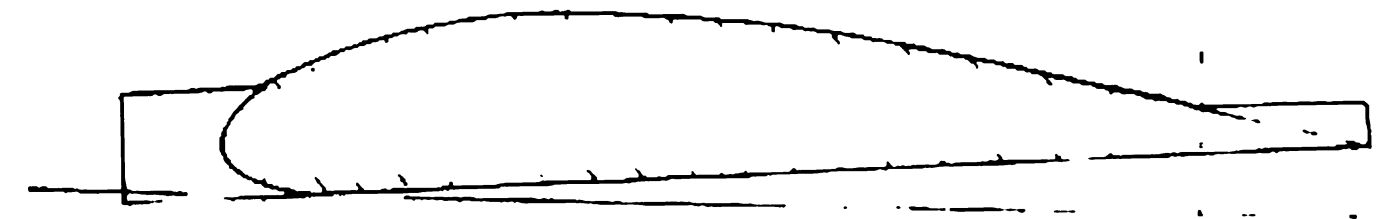
3/16" SHI
 LE

1/16" BALSAs SHEET ON TOP
 (CENTRE SECTION ONLY)

PLY DIHEDRAL
 BRACE

3/16" SHI SPAR
 -HARD BALSAs

ROOT SECTION FOR BUILT UP
 VERSION.



TIP TEMPLATE - NOTE WASHOUT

