

F3A 1/16 balsa

F3 1/16 balsa

unless stated otherwise
all wood is 1/16 balsa
size or shape shown

1/32 balsa fill

1/16 fuselage side

lamine l.e/top
2 off 1/32x1/16 balsa

F3A glues to rear of F3
& sets dihedral angle

spar extends
to centre line

section at F3/F3A

ele. p/rod exit
this side

hollow balsa
nose block

celluloid
windscreen
(optional)

hollow balsa
headrest
(optional)

1/32 balsa between sides

use hard balsa longerons

1/32 ply
horn

BALANCE F3/F3A

1/32 ply struts
(optional)

7 mm geared motor
(8 mm unit may also be used)

F1

F2

RT

Vapor 'brick'

c.f. rod skid

rudder p/rod
exit
opposite side

1/32 ply
horn

**Peter Rake's
Another Knight**
An electric powered R/C model based on
Bill Hannan's One Knight in Boston

1.75" wheels

1/32 balsa between sides

1.5 mm c.f. rod axle

0.02" wire z-bend

heat-shrink tube

1 mm c.f. rod

typical pushrod end

F2 1/16 ply

F4 1/16 balsa

F1 1/16 ply

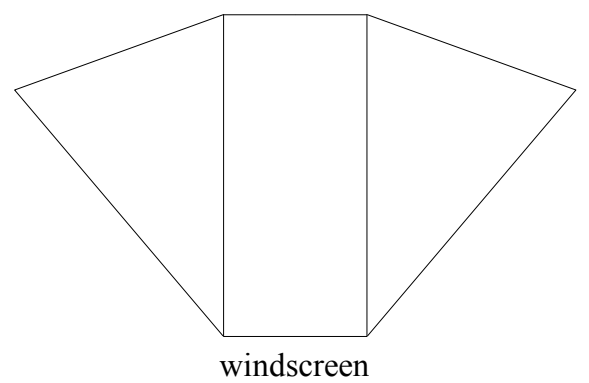
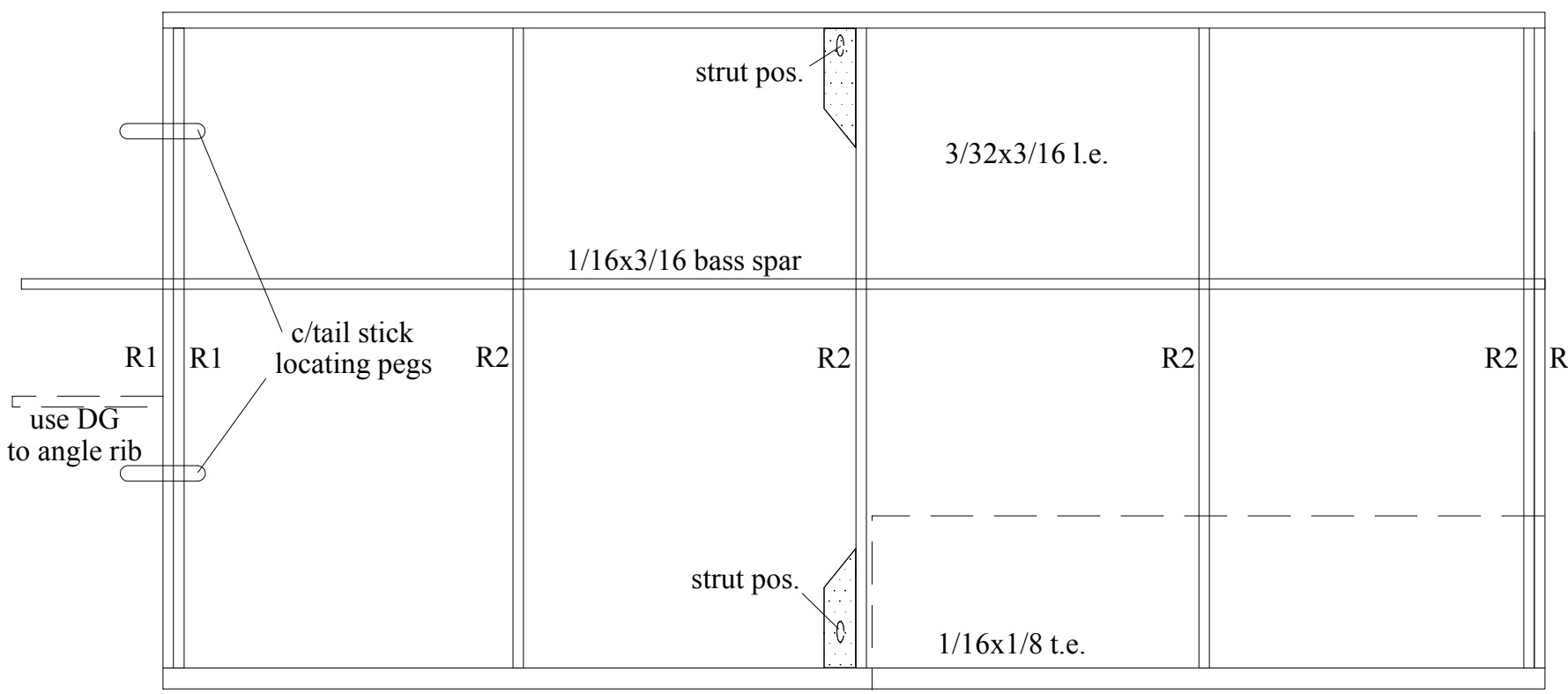
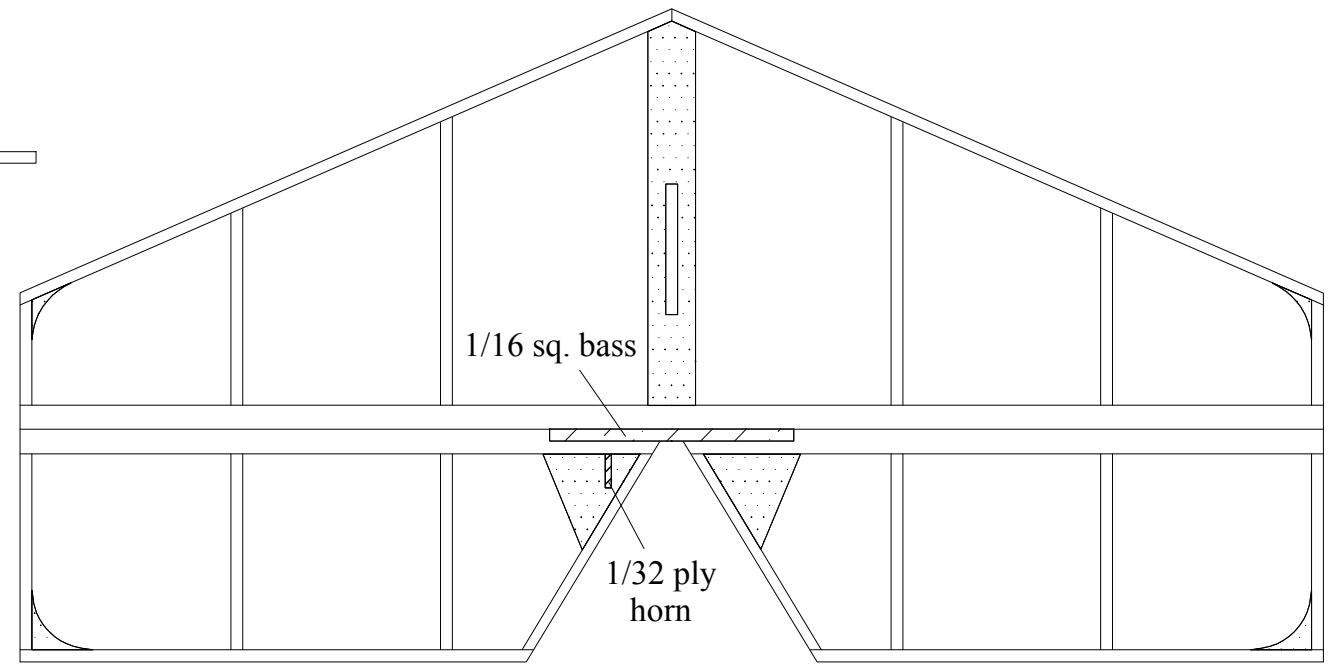
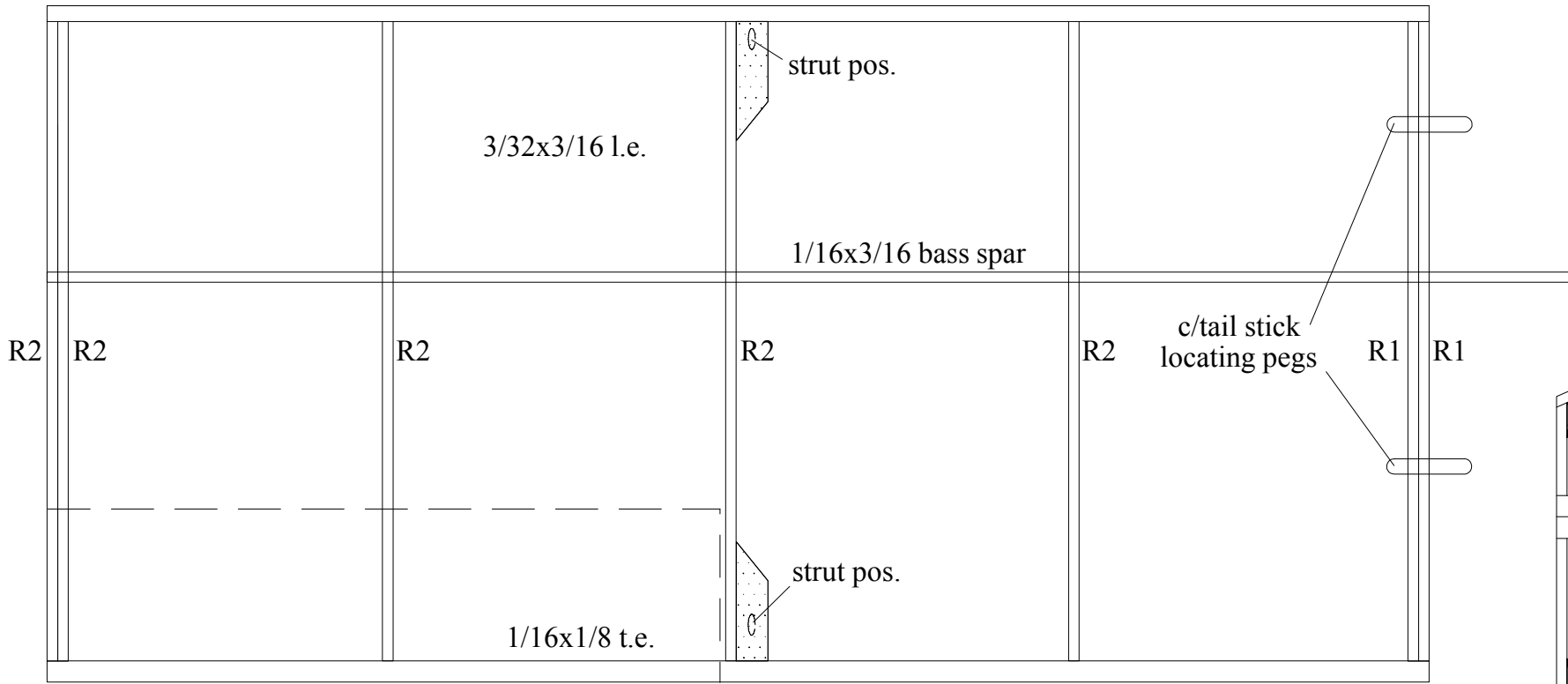
plastic tube sleeve

trim longerons
flush with sides

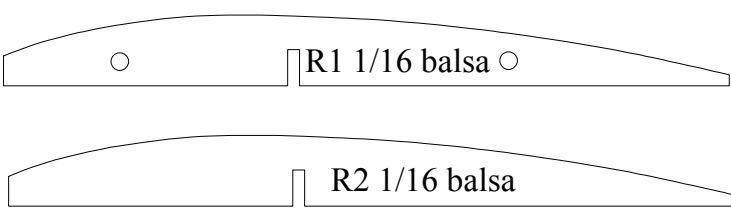
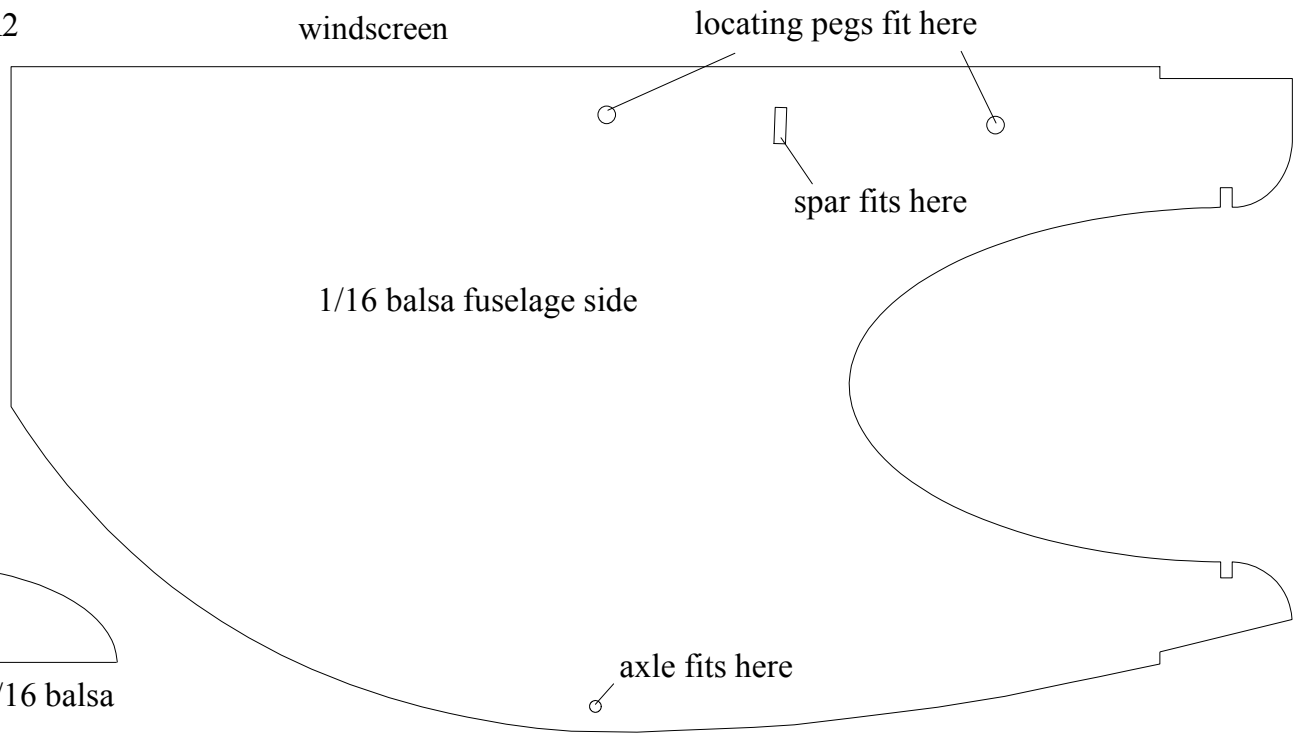
ele. p/rod

rudder p/rod

RT



unless stated otherwise
all wood is 1/16 balsa
size or shape shown



**Peter Rake's
Another Knight**
An electric powered R/C model based on
Bill Hannan's One Knight in Boston

