

Jee Bee
SPORTSTER

MODEL E

DESIGNED & DRAWN BY
HENRY A HAFKE

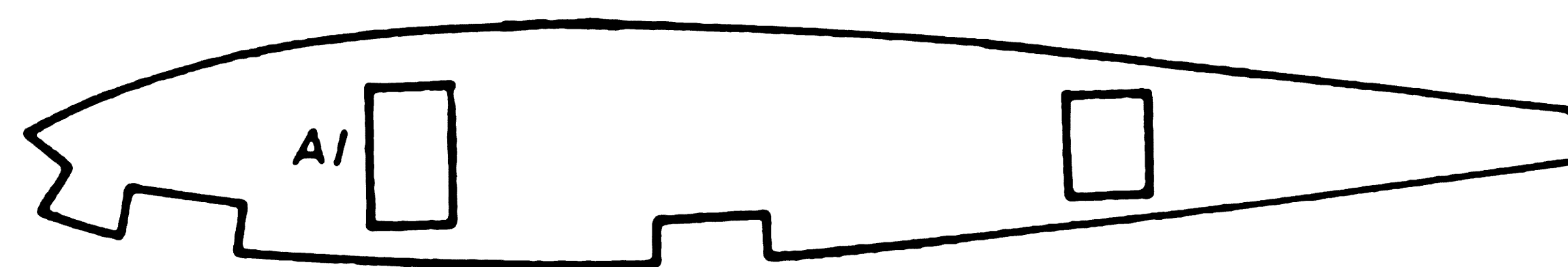
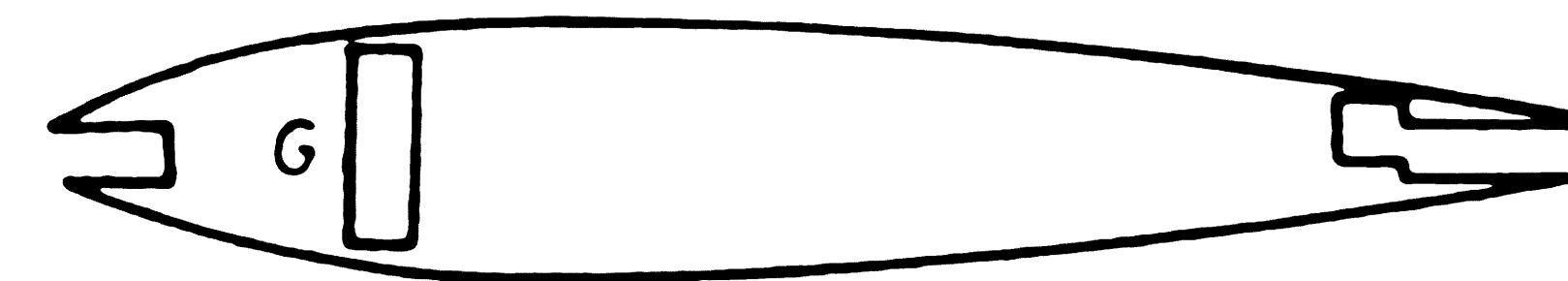
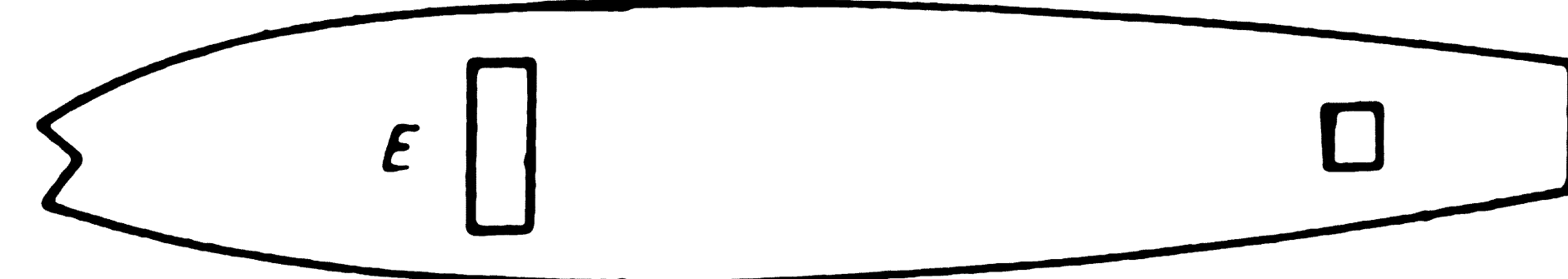
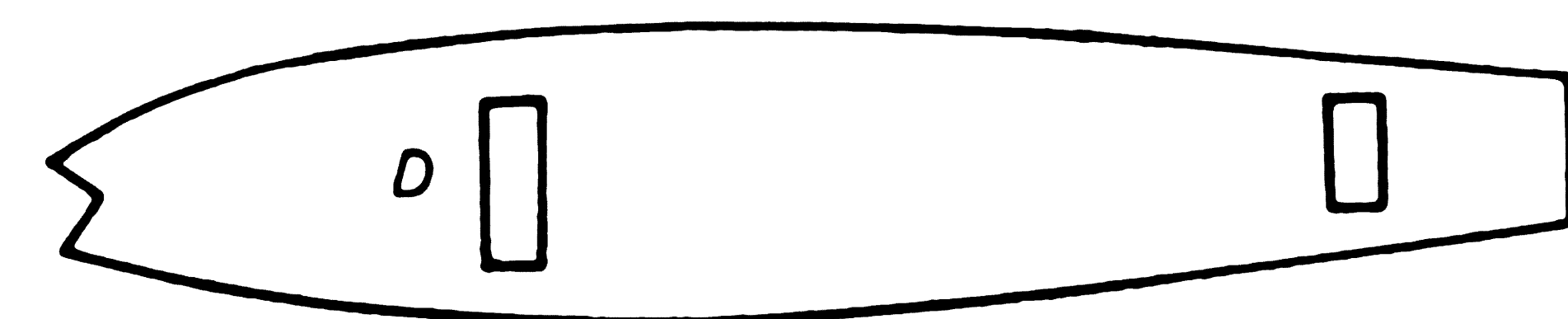
SPAN 75 IN. SCALE 3/4" = 1 FT

POWER 60

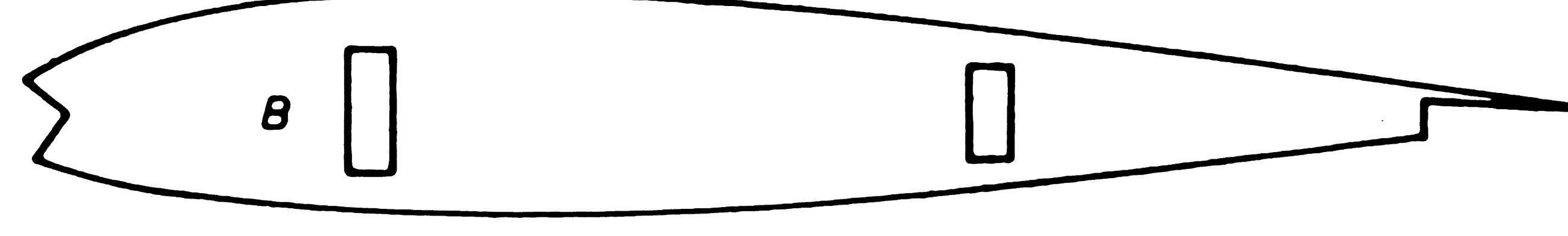
WEIGHT 11 LBS

PLATE 1 OF 2

1 2 3 4 5 6 7 8 9



AI-MAKE 4 OF 1/8 PLY AND 4 OF 3/32 Balsa



ALL WING RIBS 3/32 Balsa EXCEPT AS NOTED

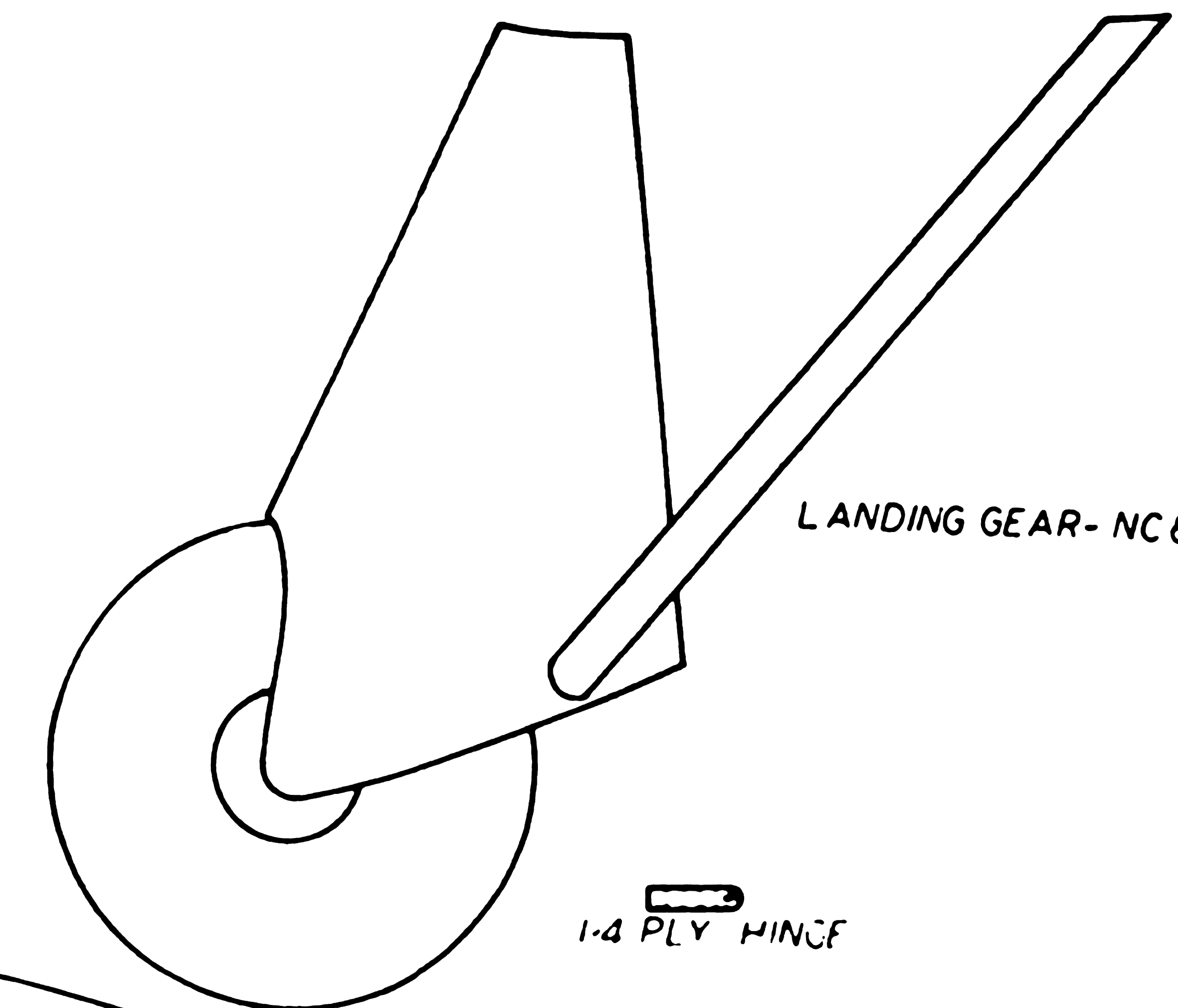
PLASTIC BOWL
OR BUILD UP OF Balsa

WILLIAMS BROS WASP ENGINE PARTS

COWL RING

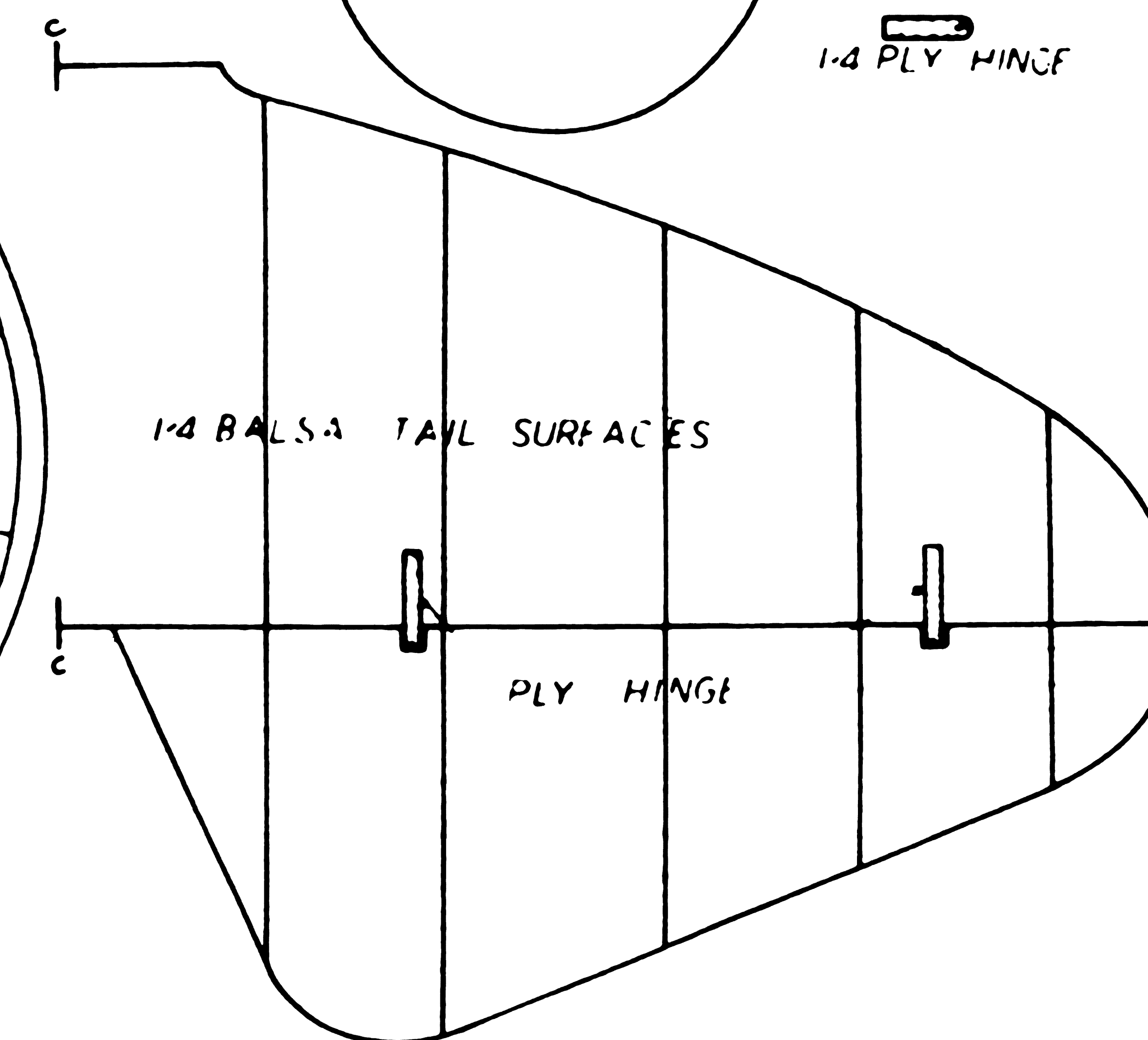
1/2 X 1/2 LEADING EDGE

DUMMY WARNER ENGINE



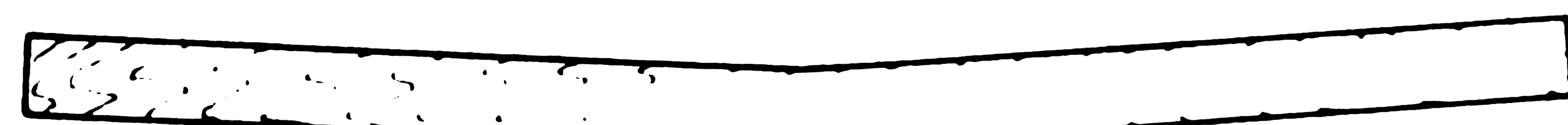
LANDING GEAR- NC856Y

1/4 PLY HINGE



1/4 Balsa TAIL SURFACES

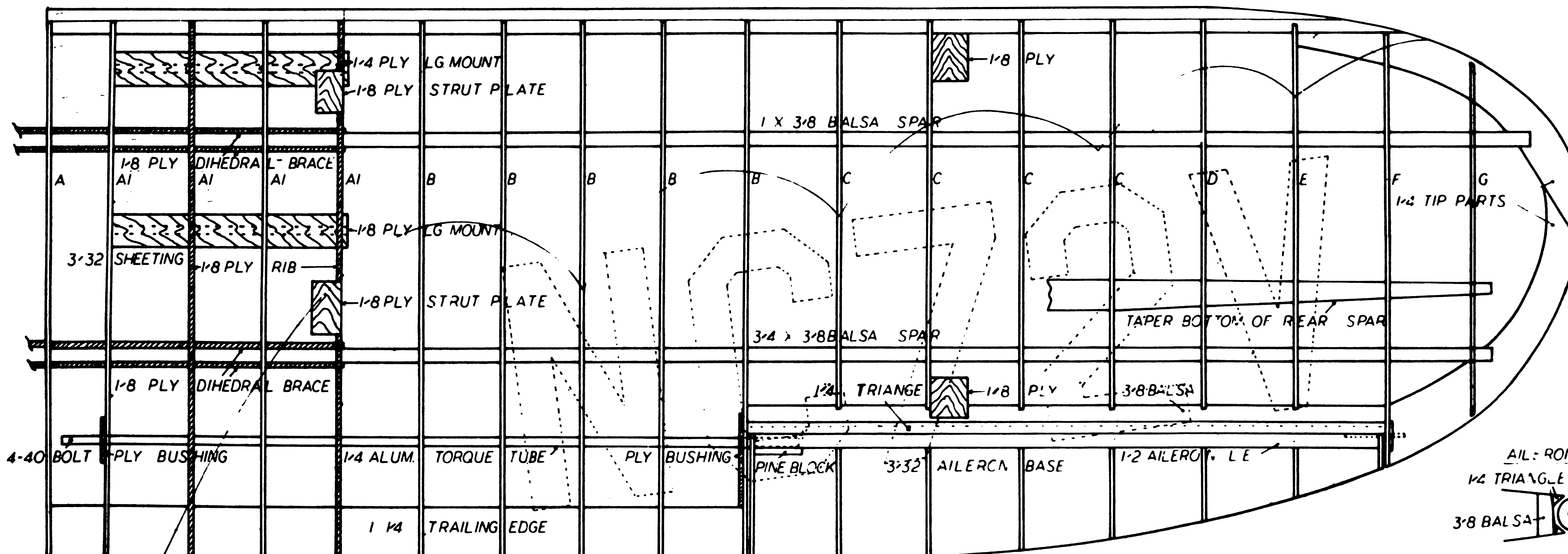
PLY HINGE



REAR DIHEDRAL BRACE
1/8 PLY



FRONT DIHEDRAL BRACE
1/8 PLY

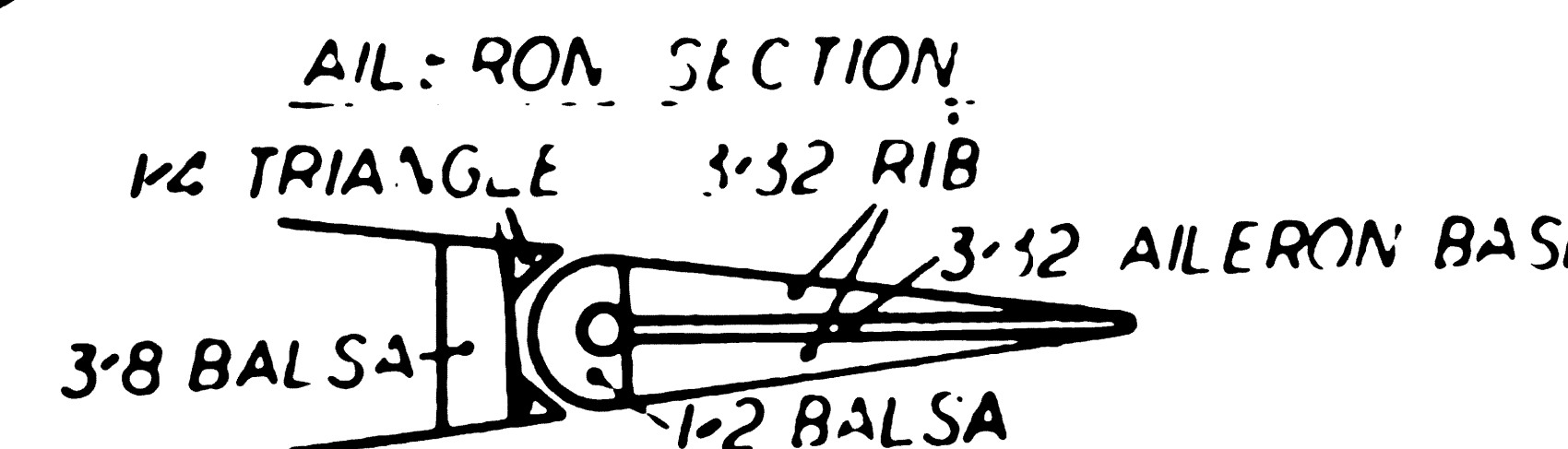


- MODEL F SPORTSTERS BUILT
- SERIAL NO 4 NC856Y - BLUE - YELLOW
 - 6 NC1044 - RED - WHITE
 - 7 NC46V - GREEN - CREAM
 - 8 NC72V - GREEN - YELLOW
- ALL HAIR BLACK PINSTRIPE

Joe Bes
SPORTSTER

MODEL E

DESIGNED & DRAWN BY
HENRY A HAEFKE
SPAN 75 IN SCALE 3 IN = 1 FT
POWER .60
WEIGHT 11 LBS.
PLATE 2 OF 2



AIL - RON SECTION

1/2 TRIANGLE

3/32 RIB

3/32 AILERON BASE

3/8 Balsa

1/2 Balsa