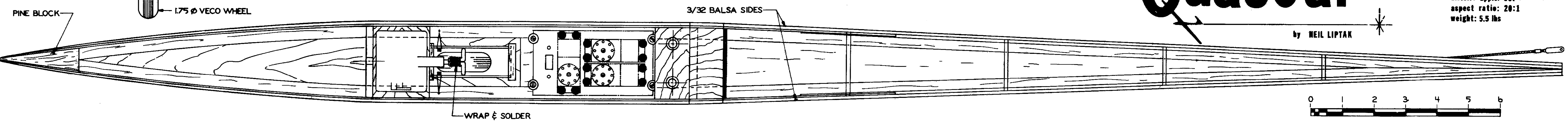
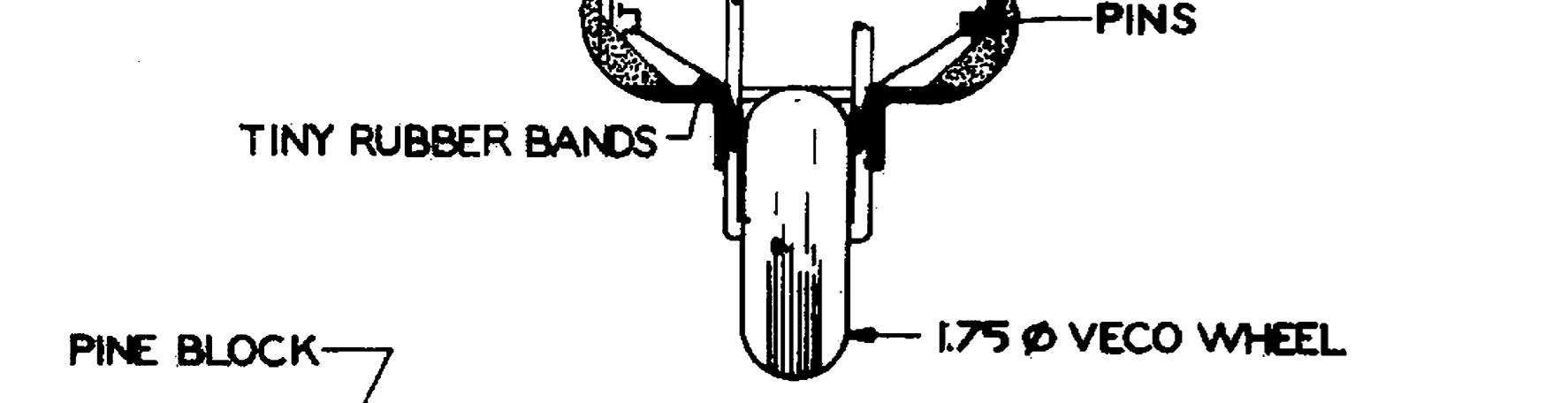
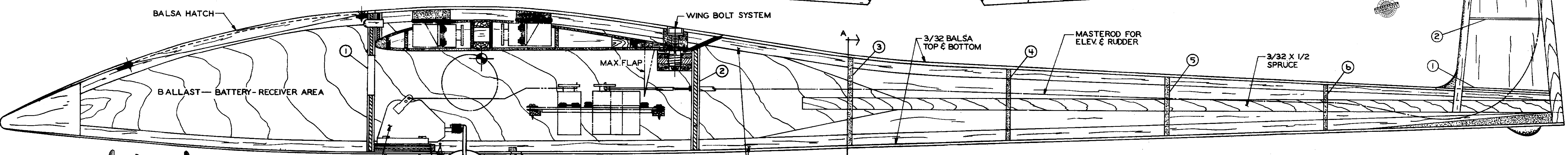
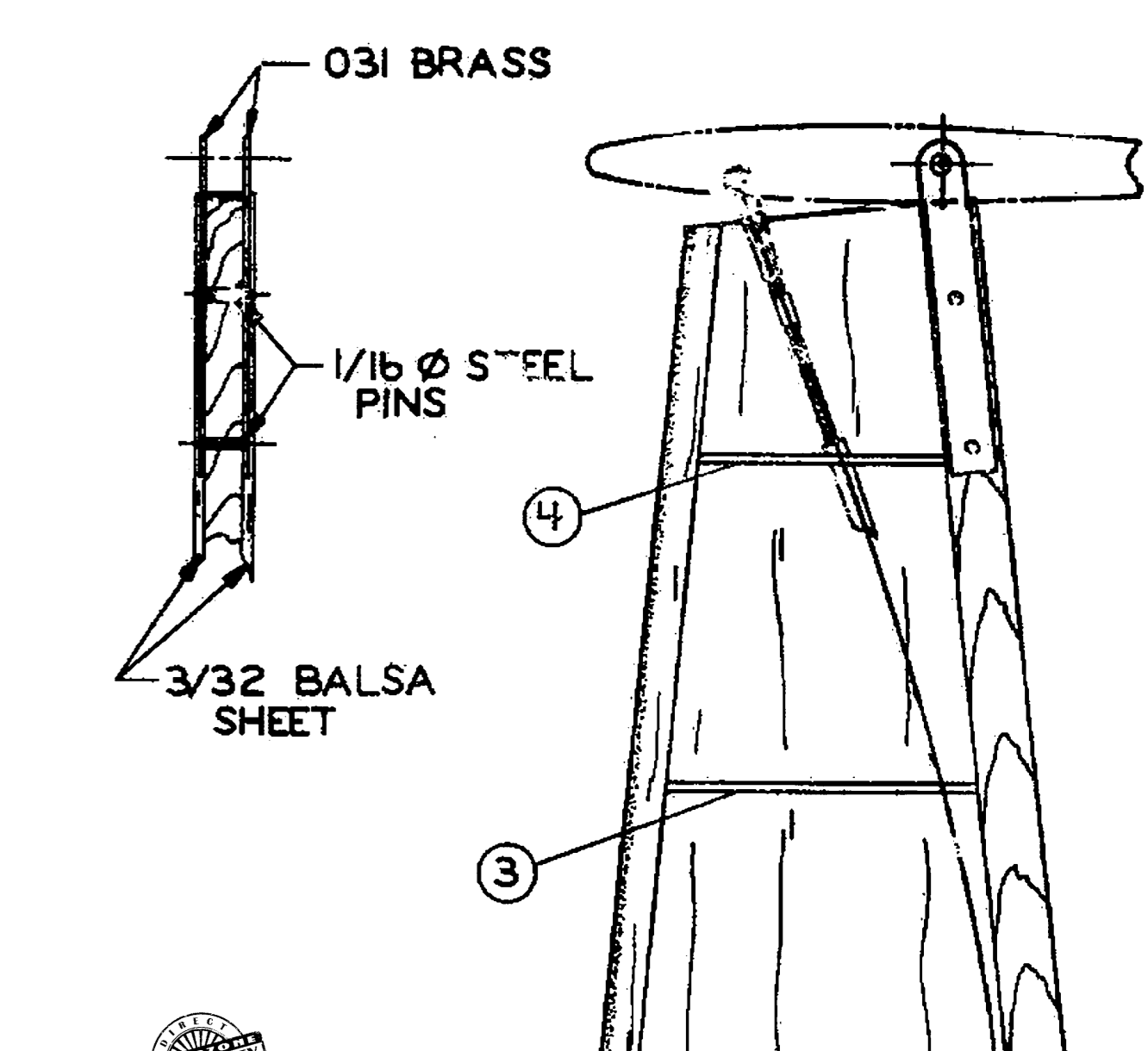
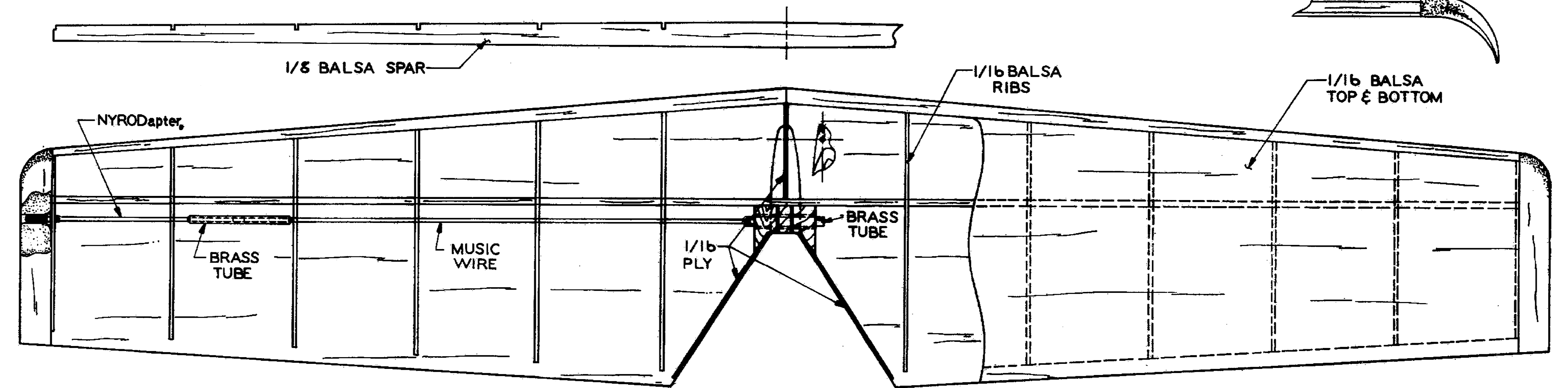
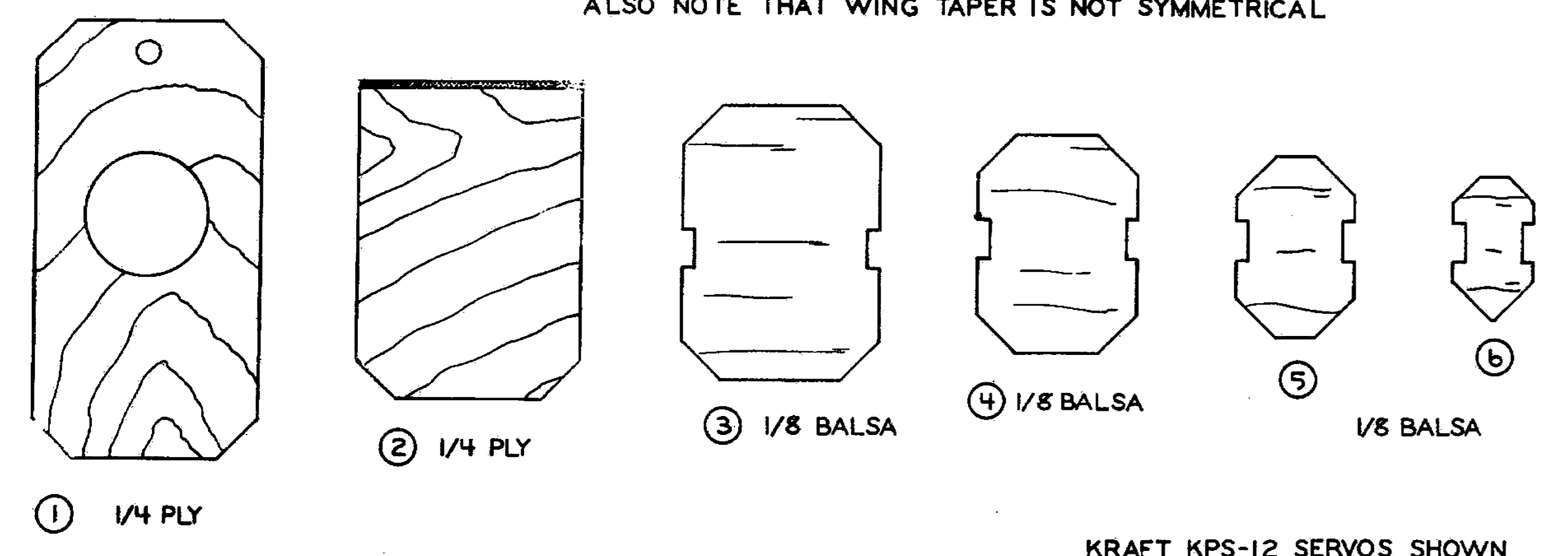


NOTE: THE COMPLETE LEFT WING IS SHOWN ABOVE
ALSO NOTE THAT WING TAPER IS NOT SYMMETRICAL



Quasoar

by NEIL LIPTAK

span: 146.5" (12'2 1/2")
length: 53.5" (4'5 1/2")
airfoil: Eppler 387 (modified)
aspect ratio: 20:1
weight: 5.5 lbs

