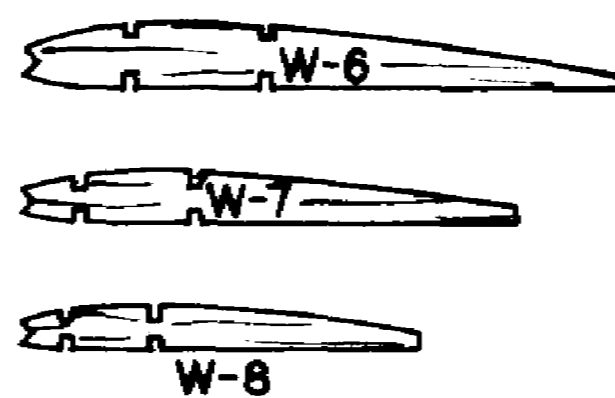
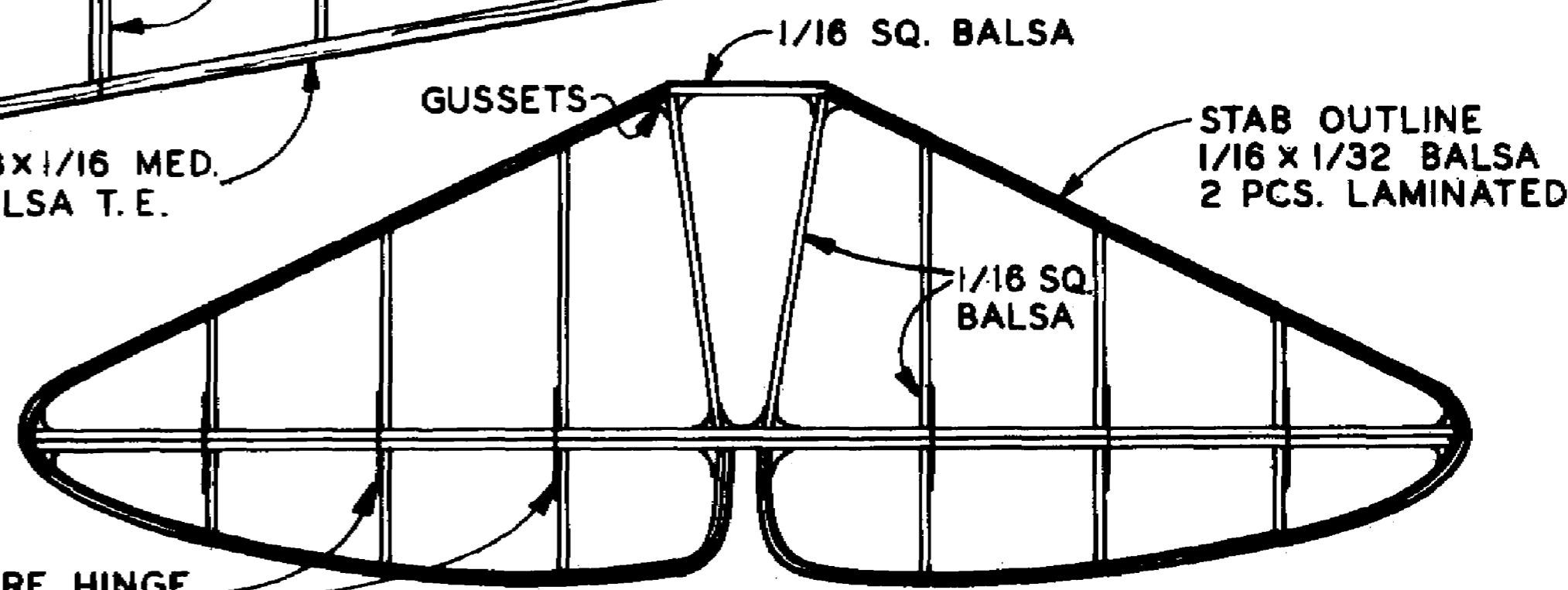


RIB PATTERNS
2 EA. OF 1/32 Balsa EXCEPT W-4 WHICH NEEDS 4 RIBS OF MED. 1/16.

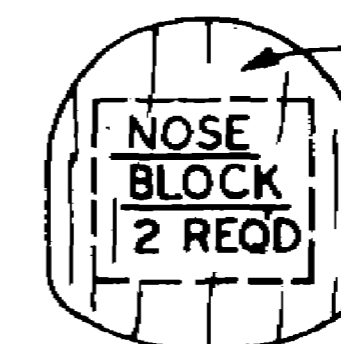
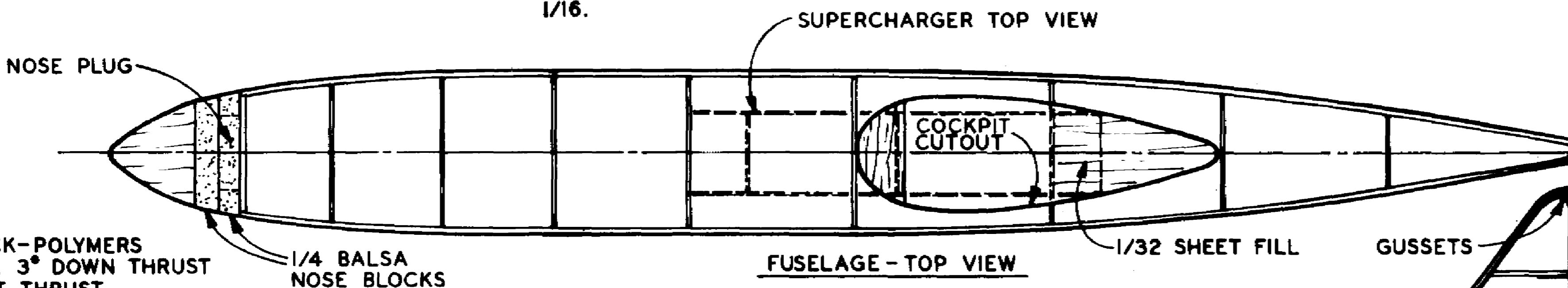


WING

DIHEDRAL DETAIL (NOT TO SCALE)

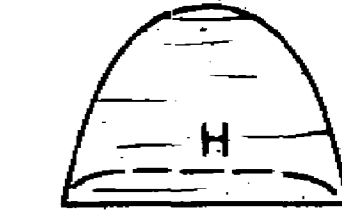
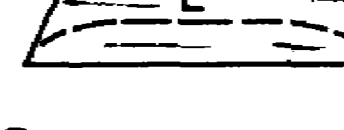


STABILIZER



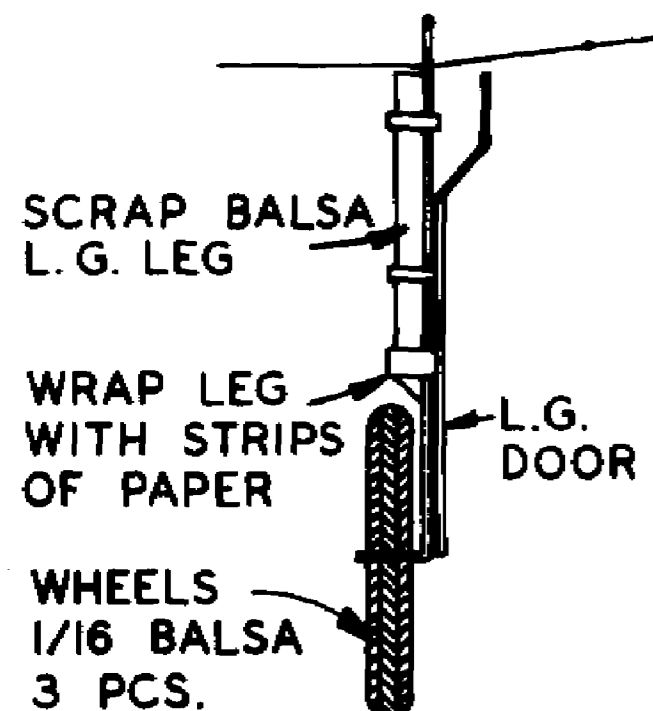
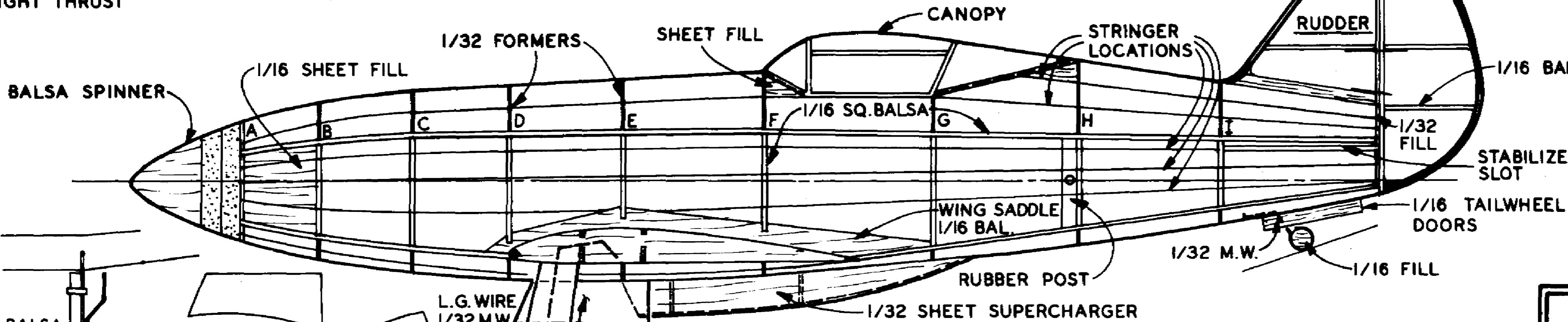
1/4 Balsa 1/16 Balsa

REMOVE SECTION AFTER STRINGER INSTALLATION



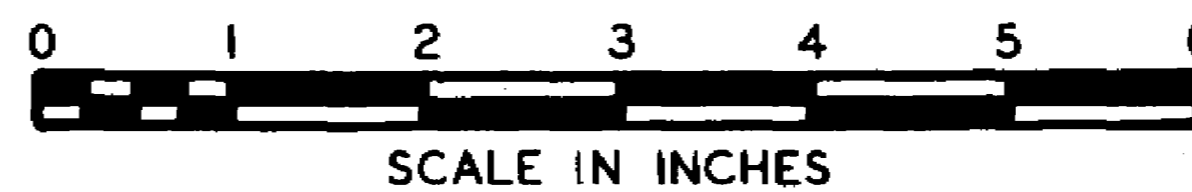
BULKHEAD PATTERNS

ALL FORMERS OF 1/32 UNLESS OTHERWISE INDICATED. SOLID LINE INDICATES TOP FORMERS. DOTTED LINE INDICATES BOTTOM FORMERS.



LANDING GEAR DETAILS

FILLET PATTERNS
2 EA. BOND PAPER OR 1/32 Balsa



MIG-3

RUBBER POWERED AMA SCALE

DESIGNED AND DRAWN

BY

LARRY KRUSE

INKED BY LOU WOLGAST