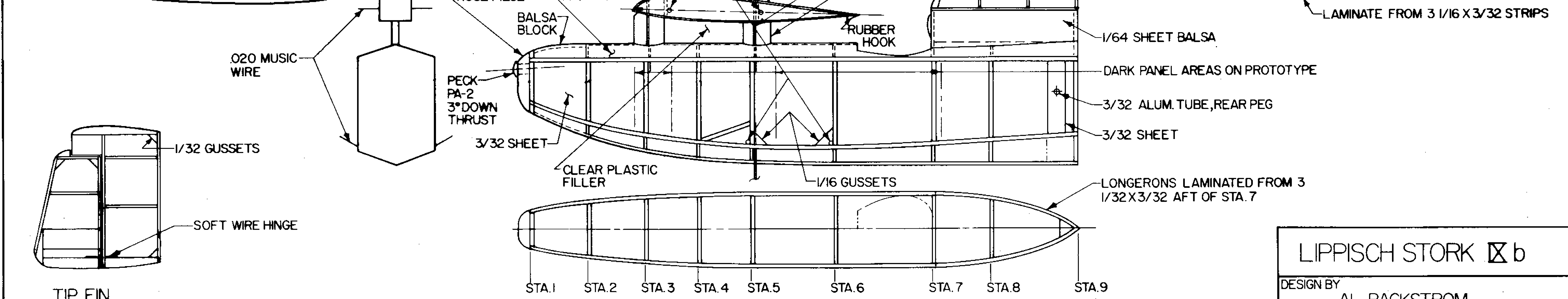
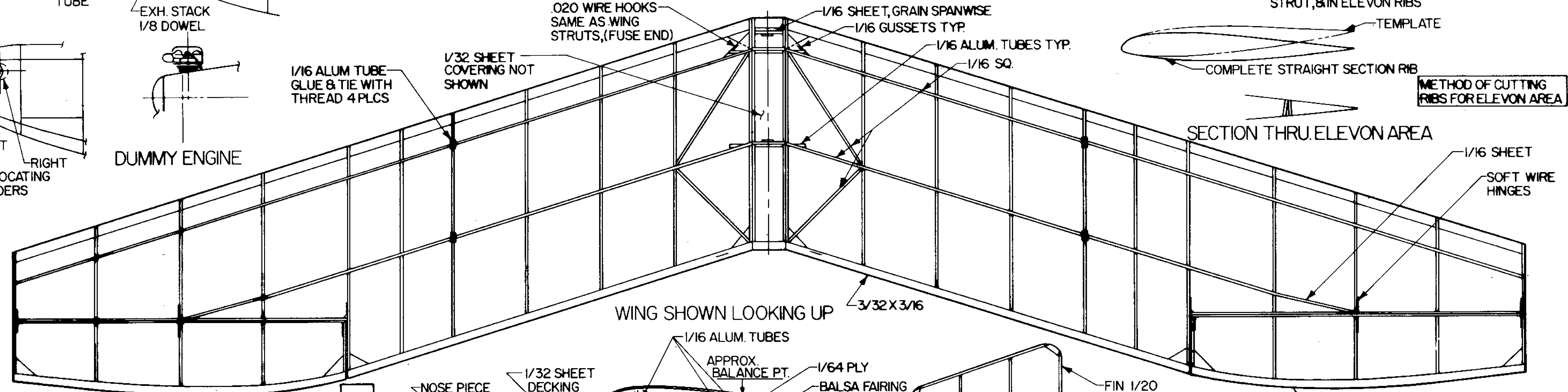
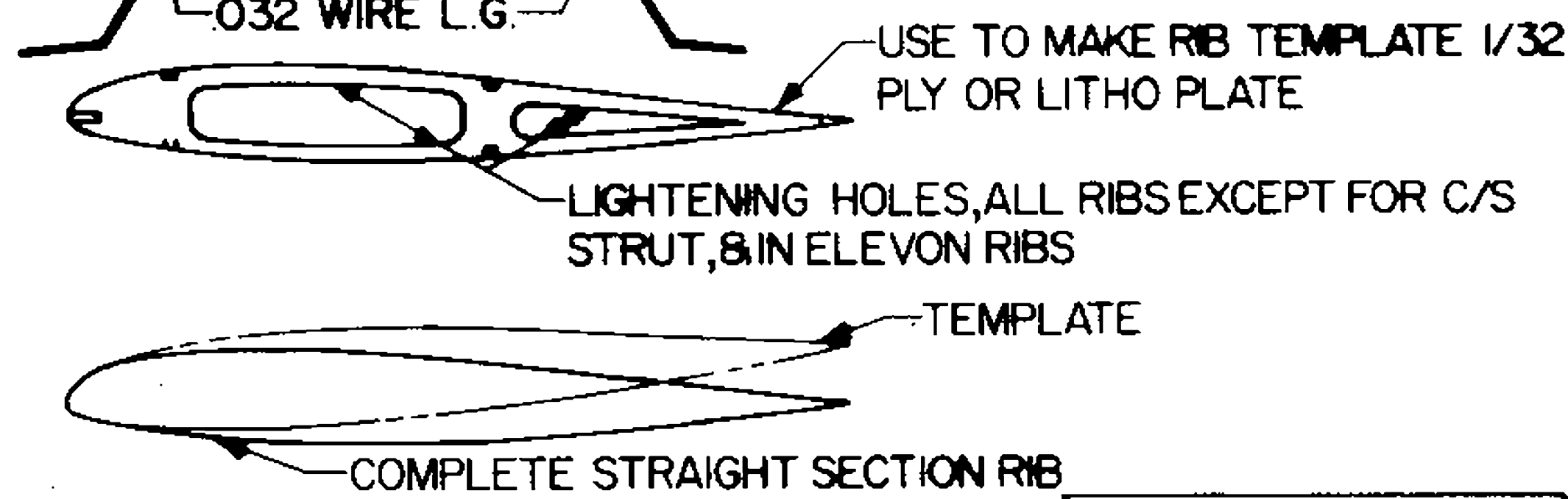
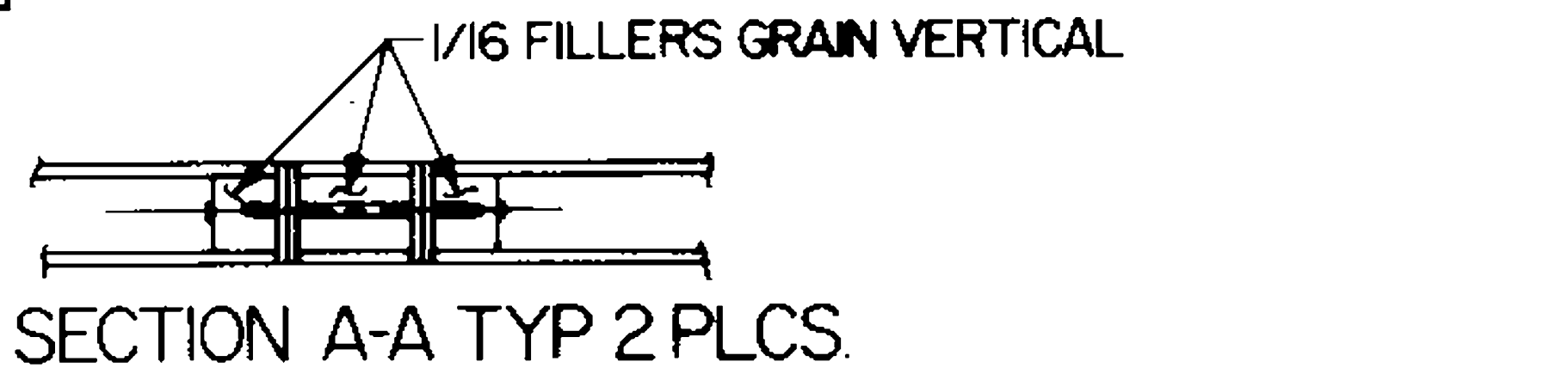
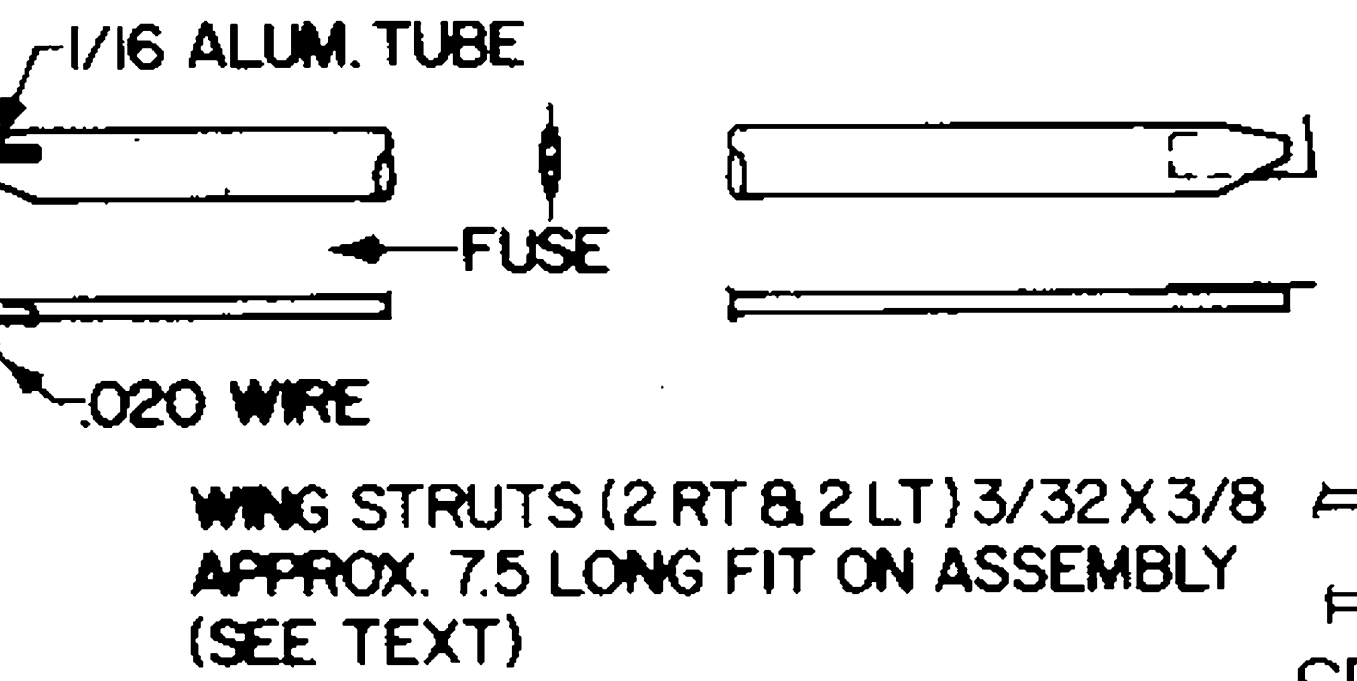
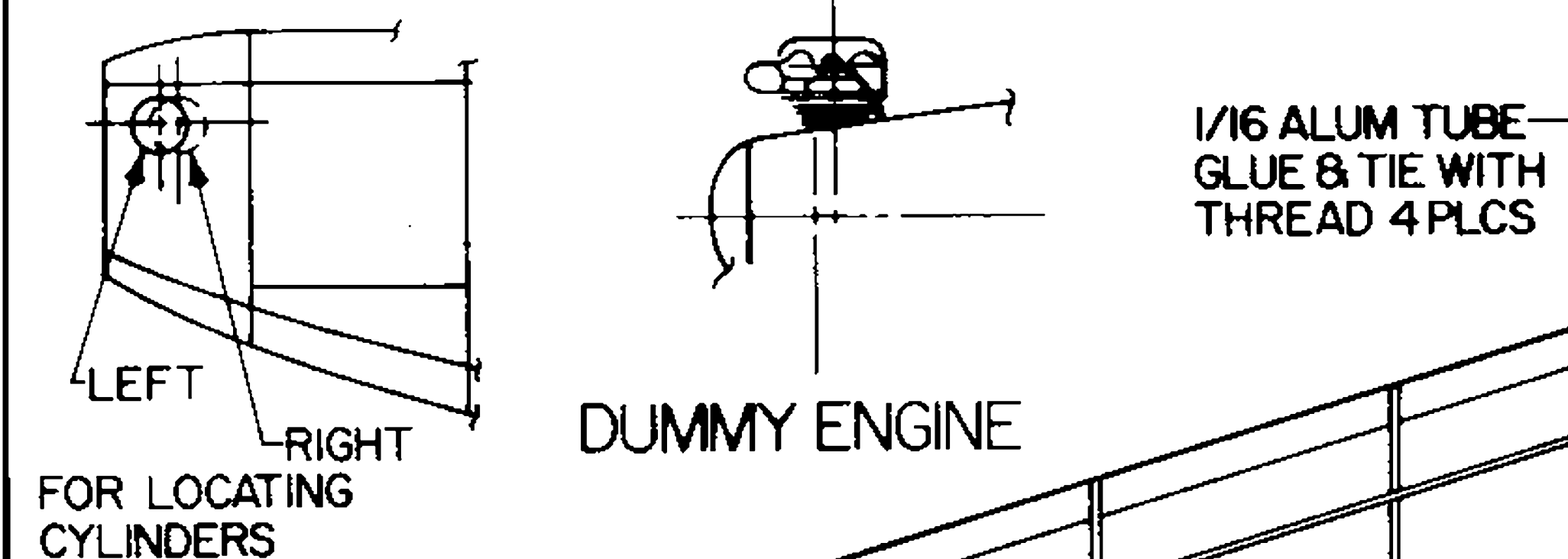
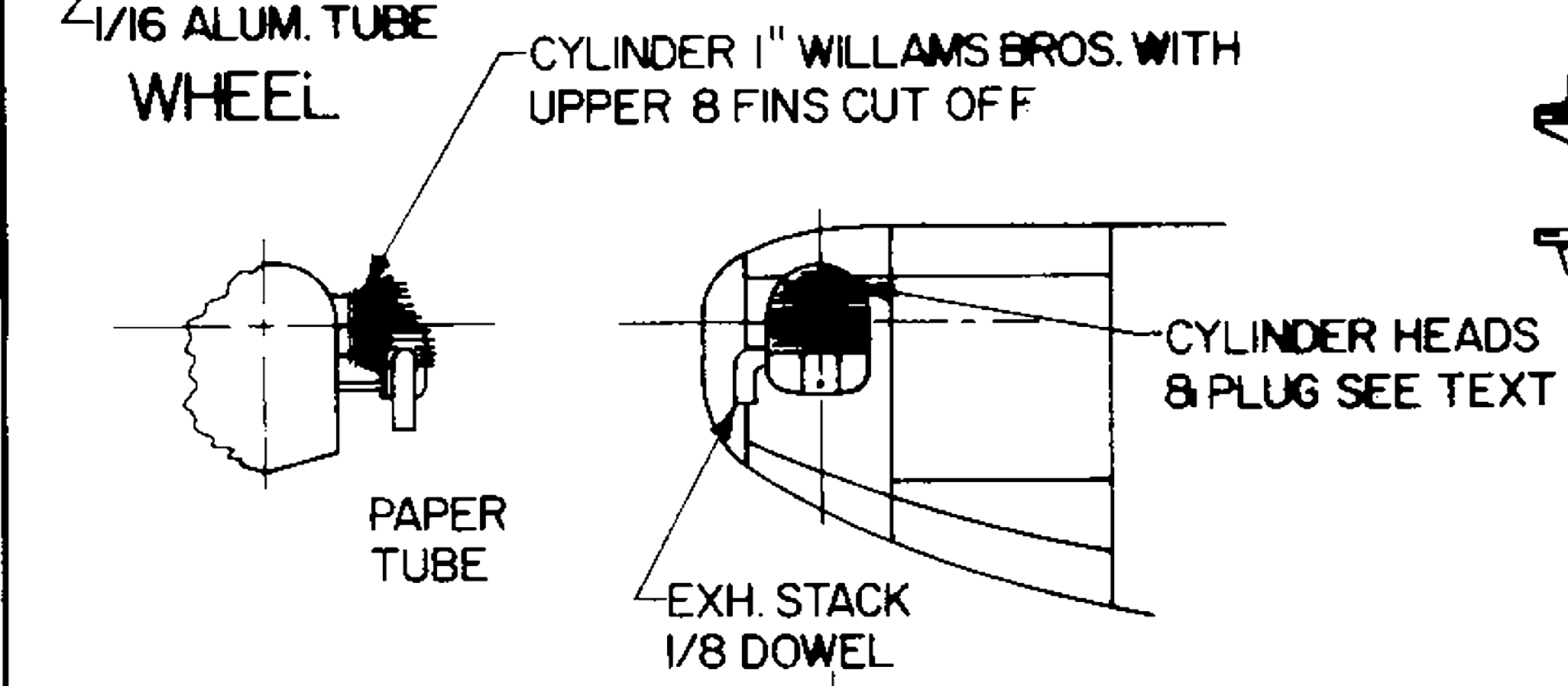
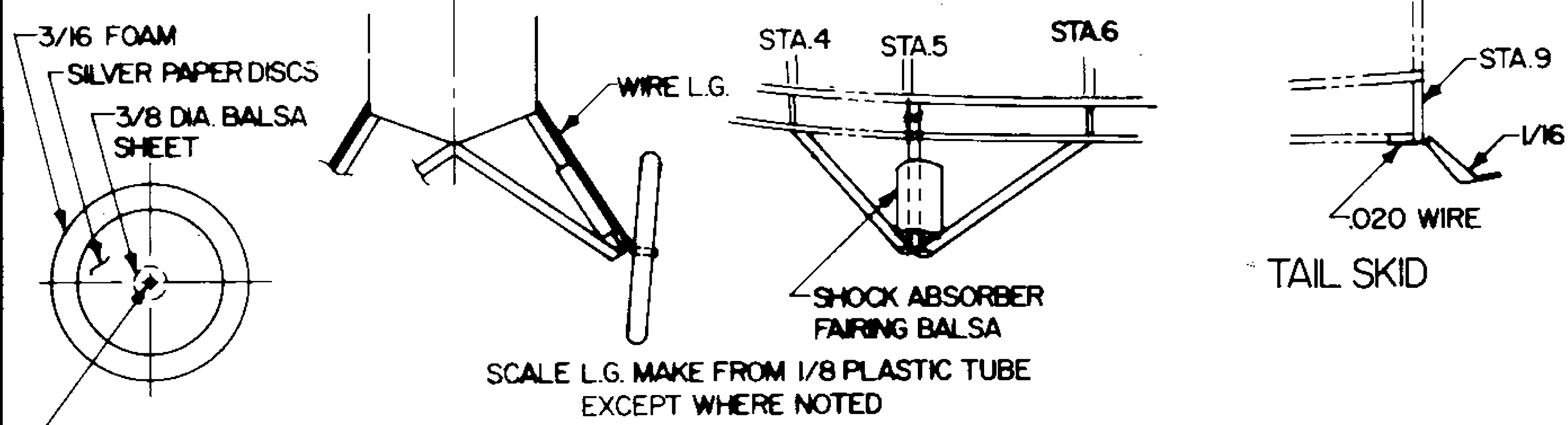
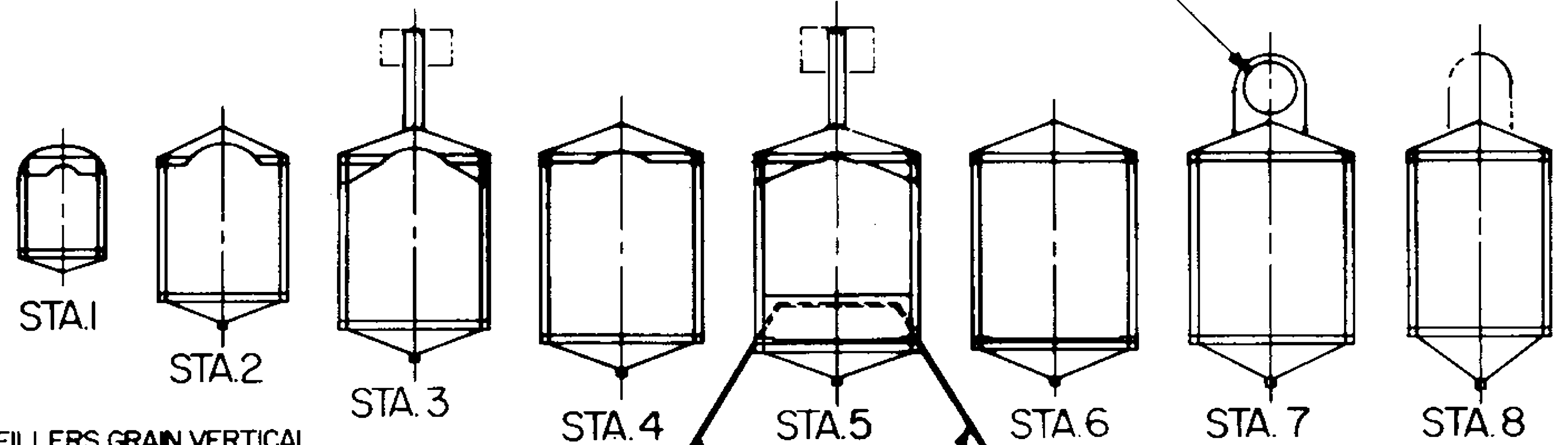


FUSELAGE CROSS SECTIONS (LOOKING AFT)

ALL FORMERS 1/16 EXCEPT FOR EXTRA PLYWOOD AT STA. 3 & 5



FUSELAGE STRUCTURE  
3/32 SQ Balsa EXCEPT WHERE NOTED

LIPPISCH STORK X b	
DESIGN BY	AL BACKSTROM
DRAWN BY	JIM ROGERS