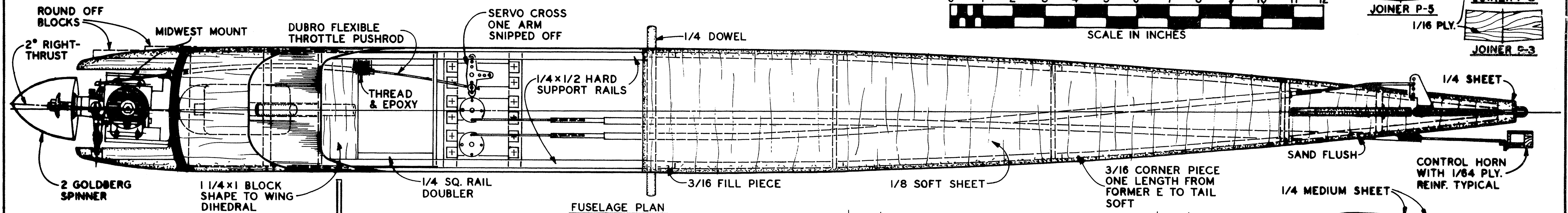
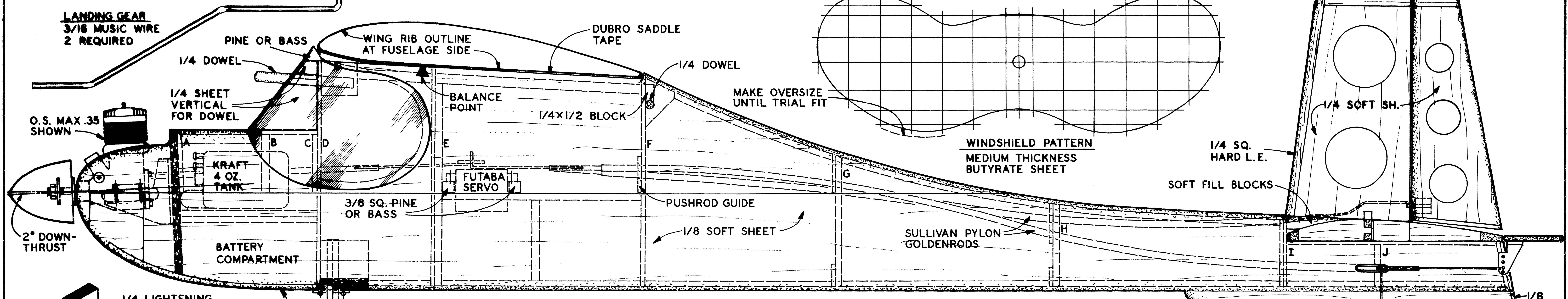


WING PLAN

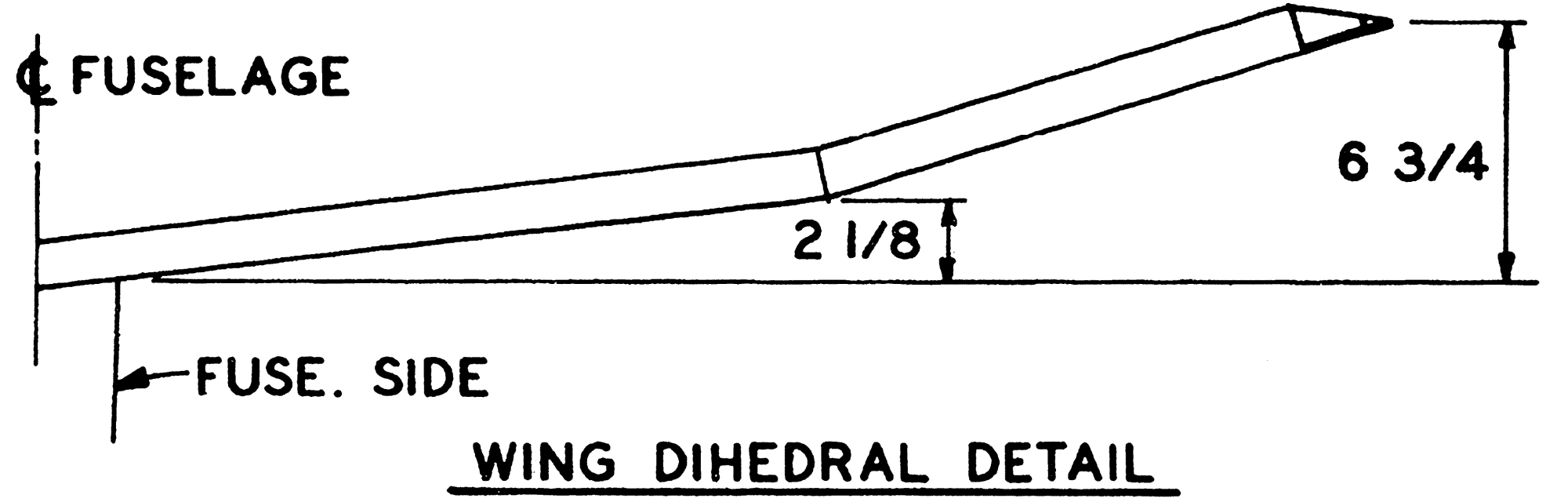
3/32 SHEET TOP & BOT. MED. HARD



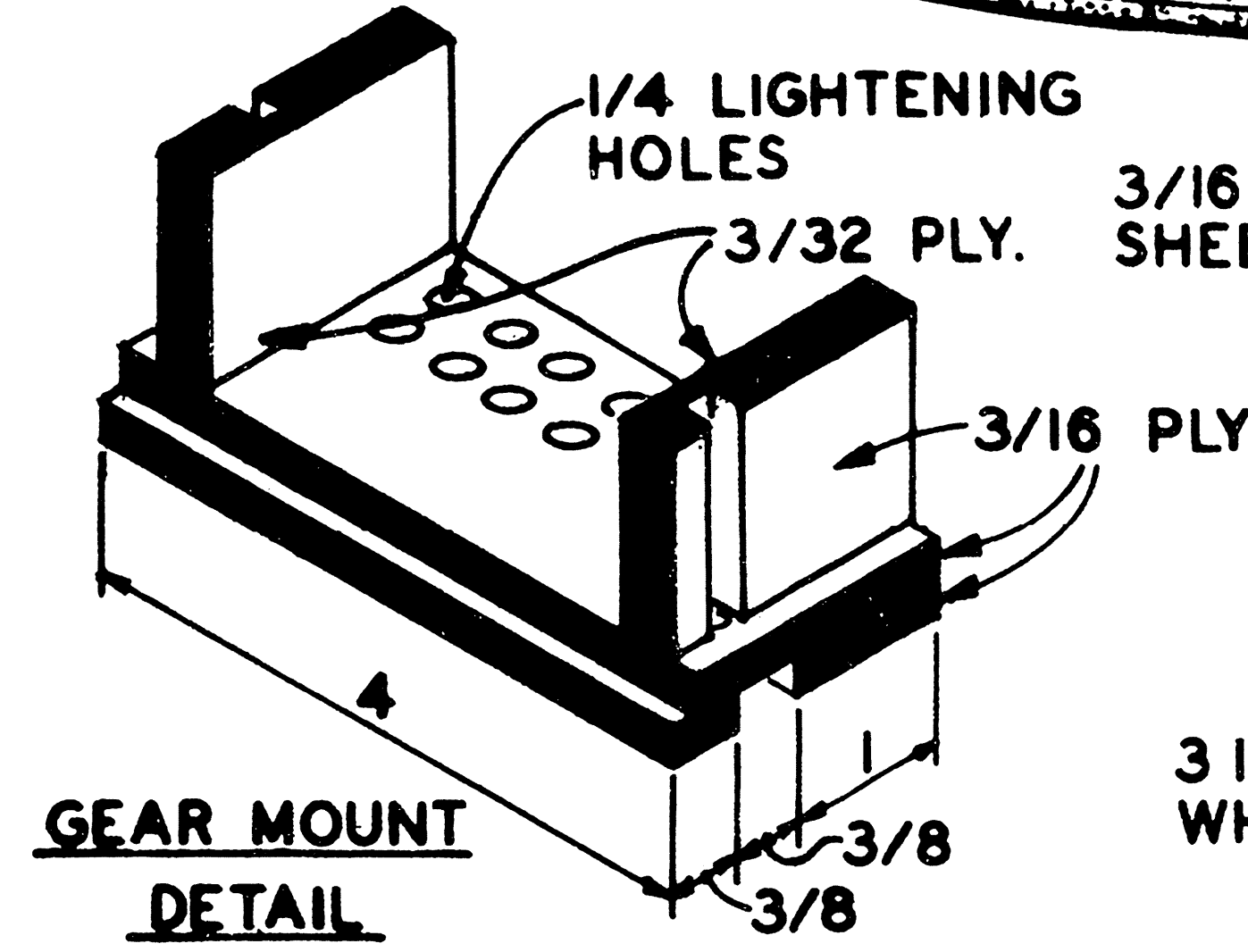
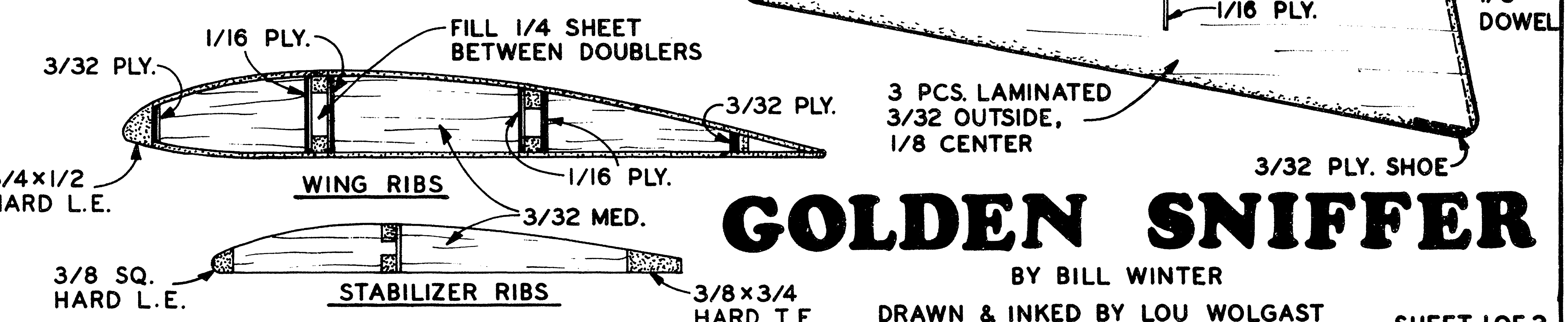
FUSELAGE PLAN



FUSELAGE SIDE VIEW



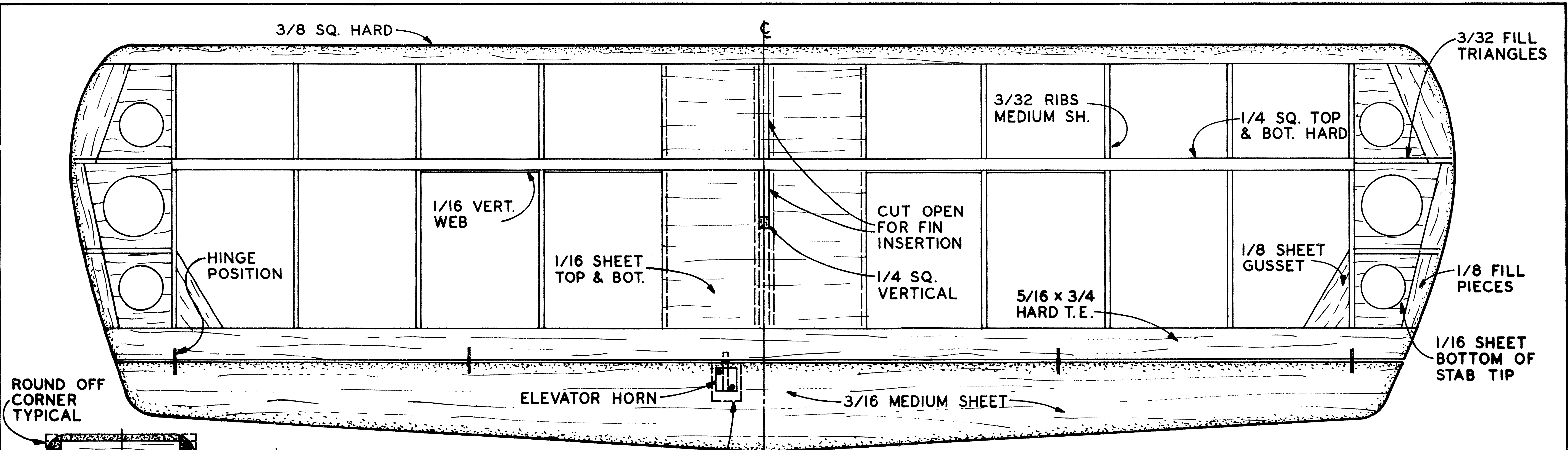
WING DIHEDRAL DETAIL



GEAR MOUNT DETAIL

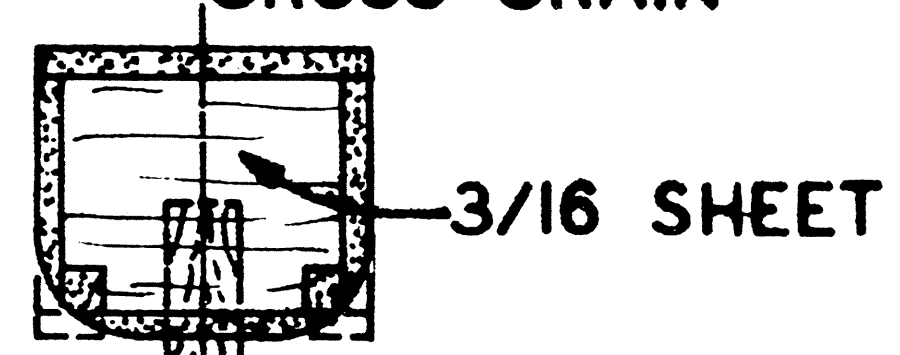
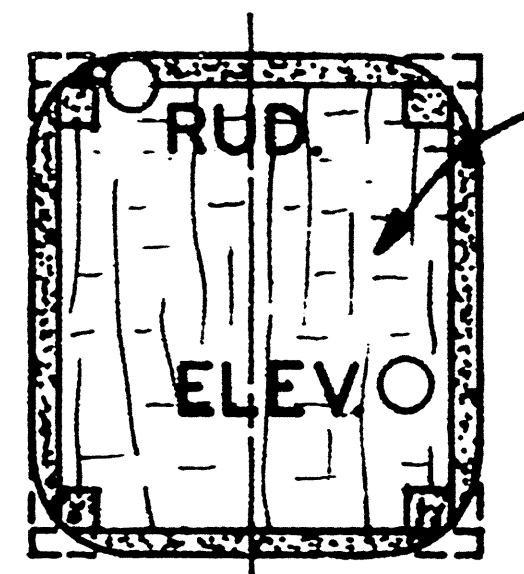
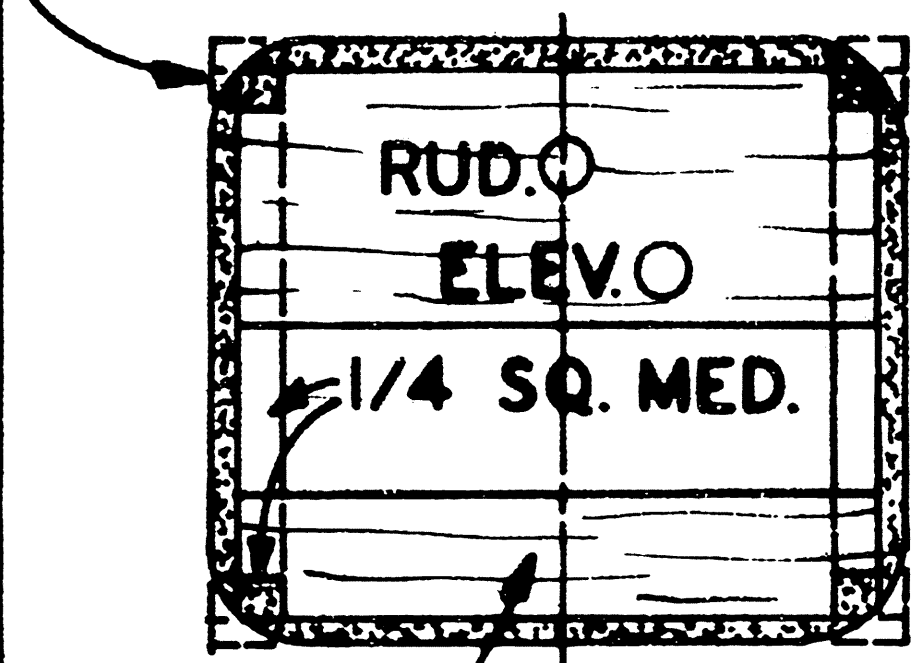
GOLDEN SNIFFER

BY BILL WINTER
DRAWN & INKED BY LOU WOLGAST
SHEET 1 OF 2



STAB & ELEVATOR PLAN

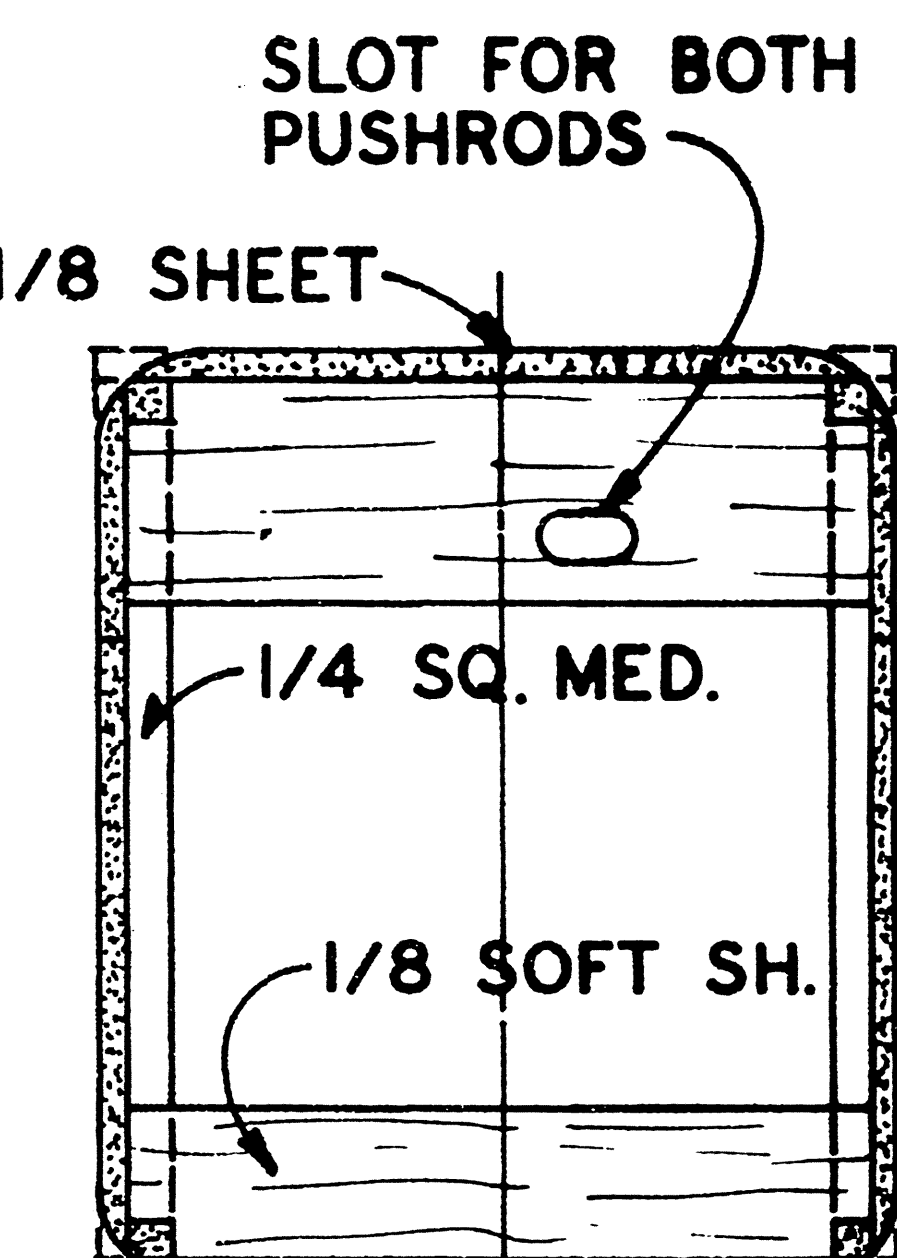
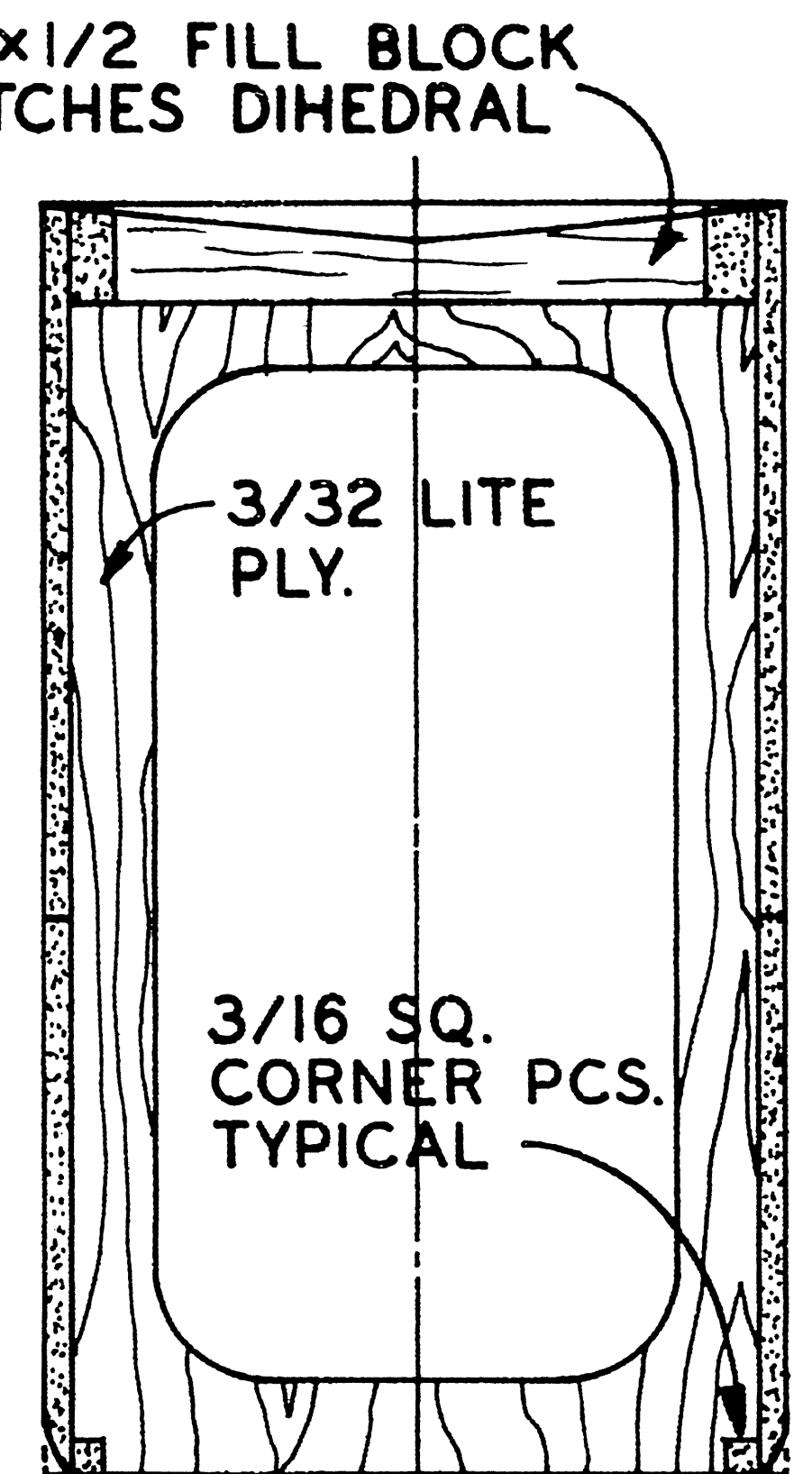
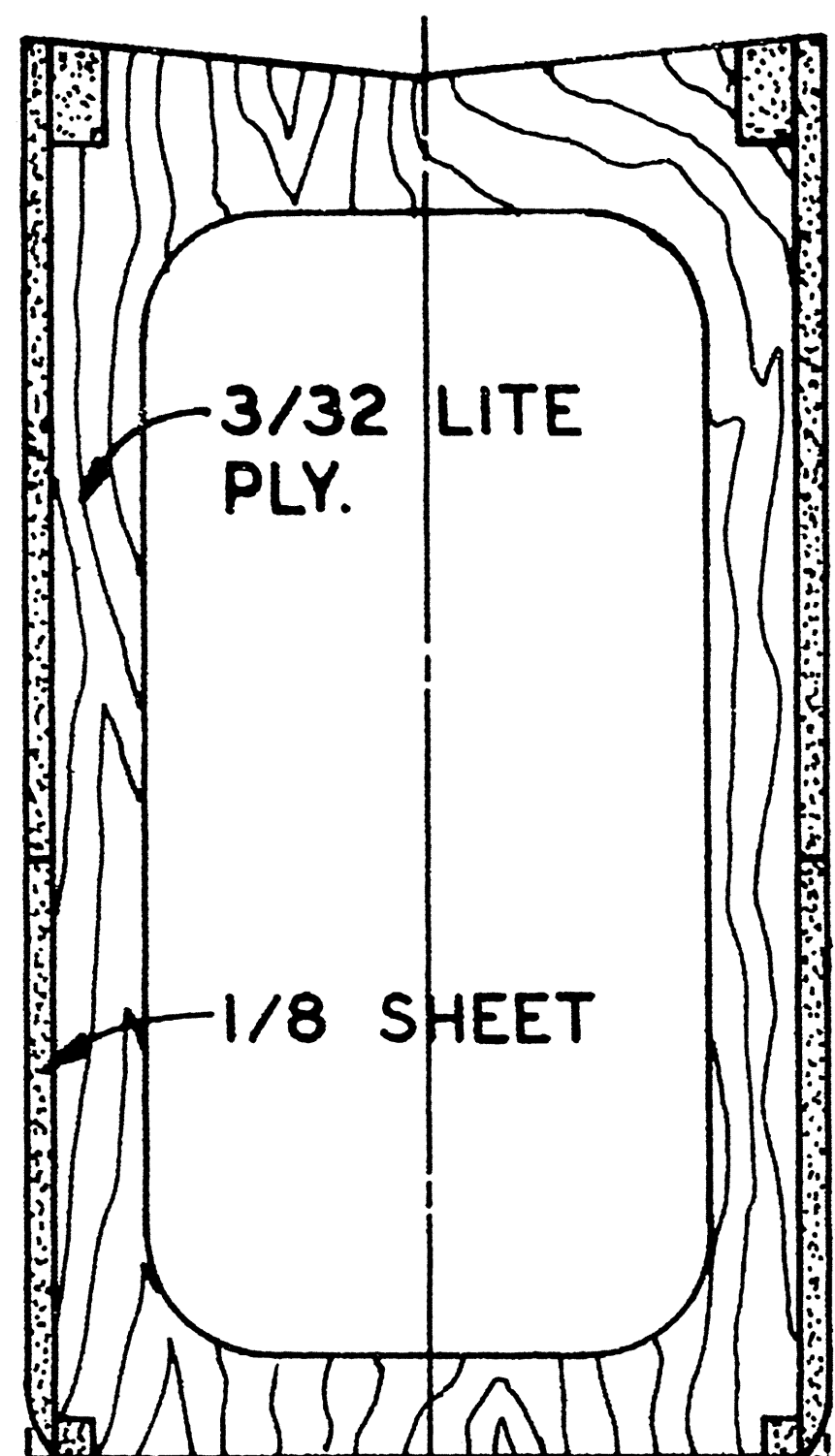
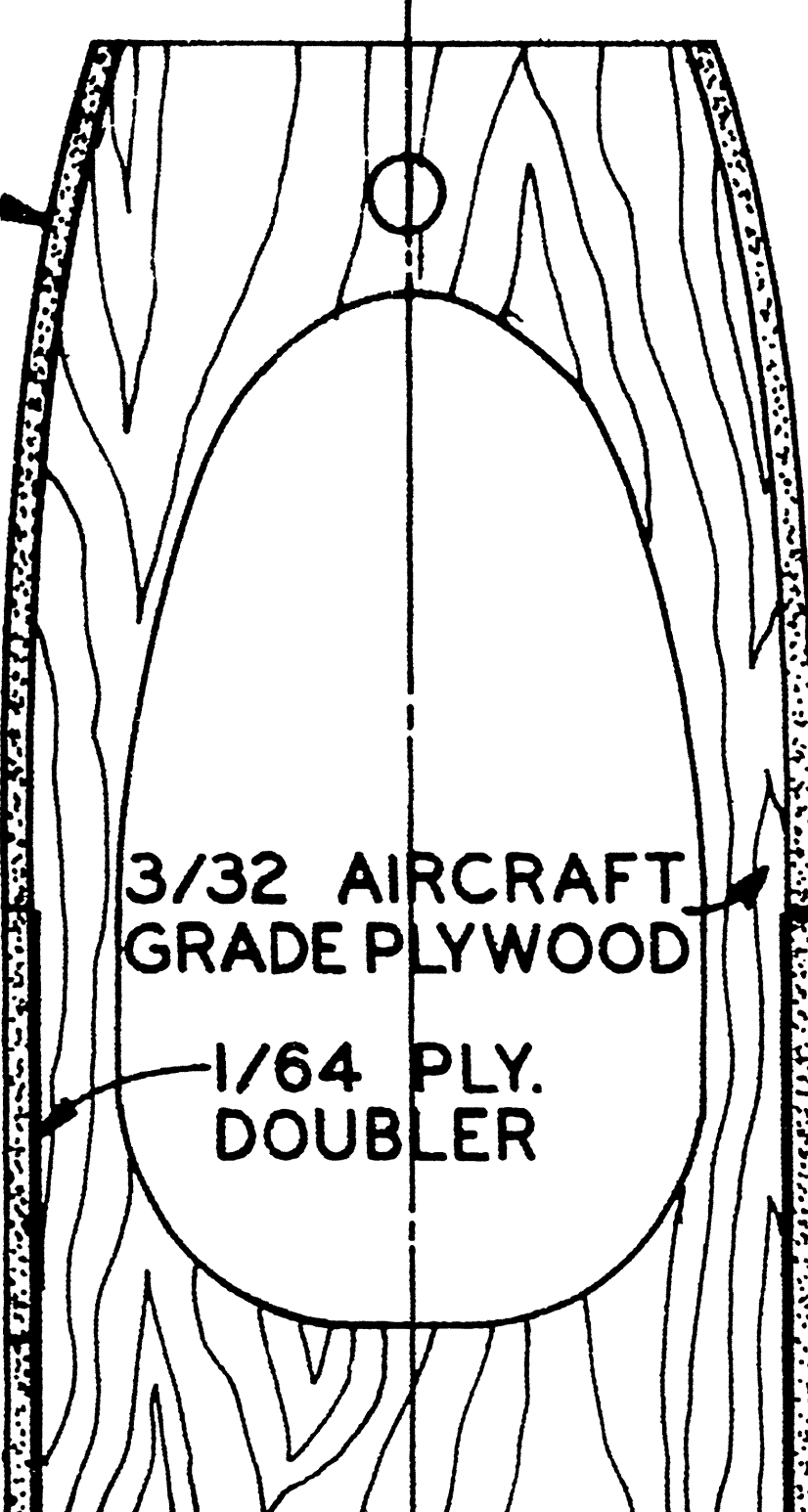
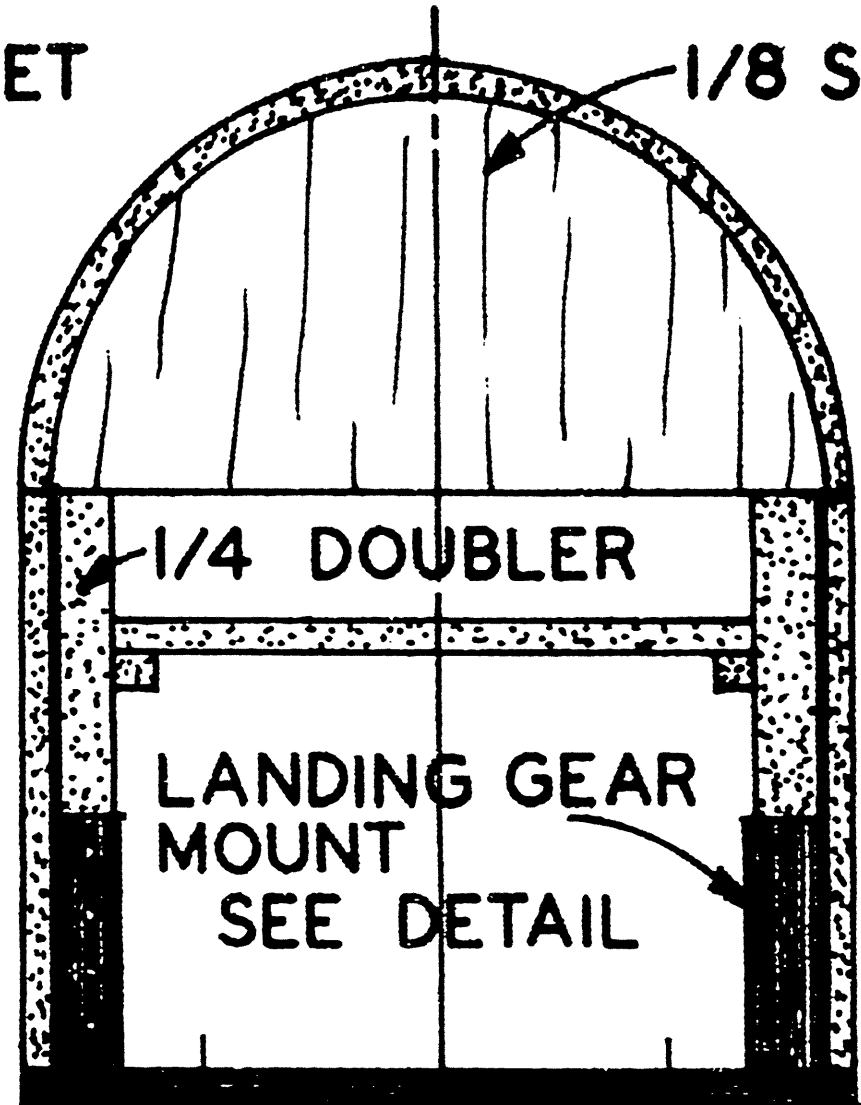
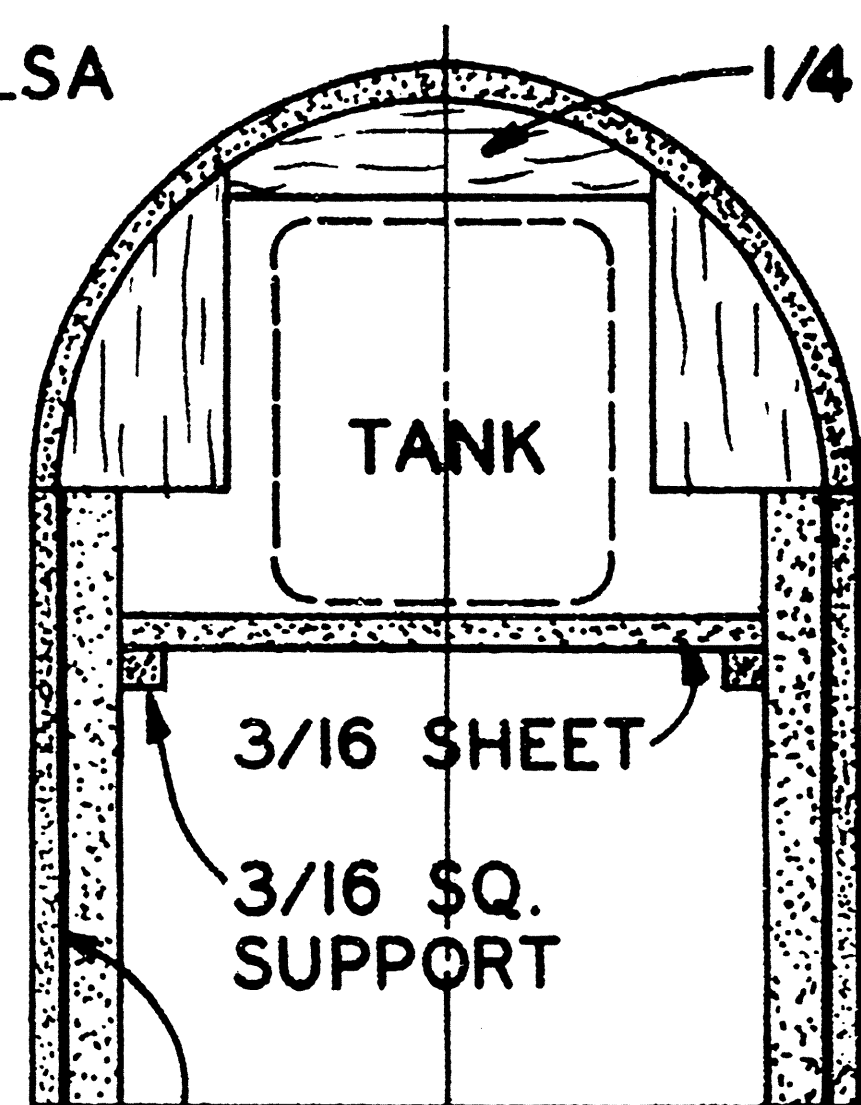
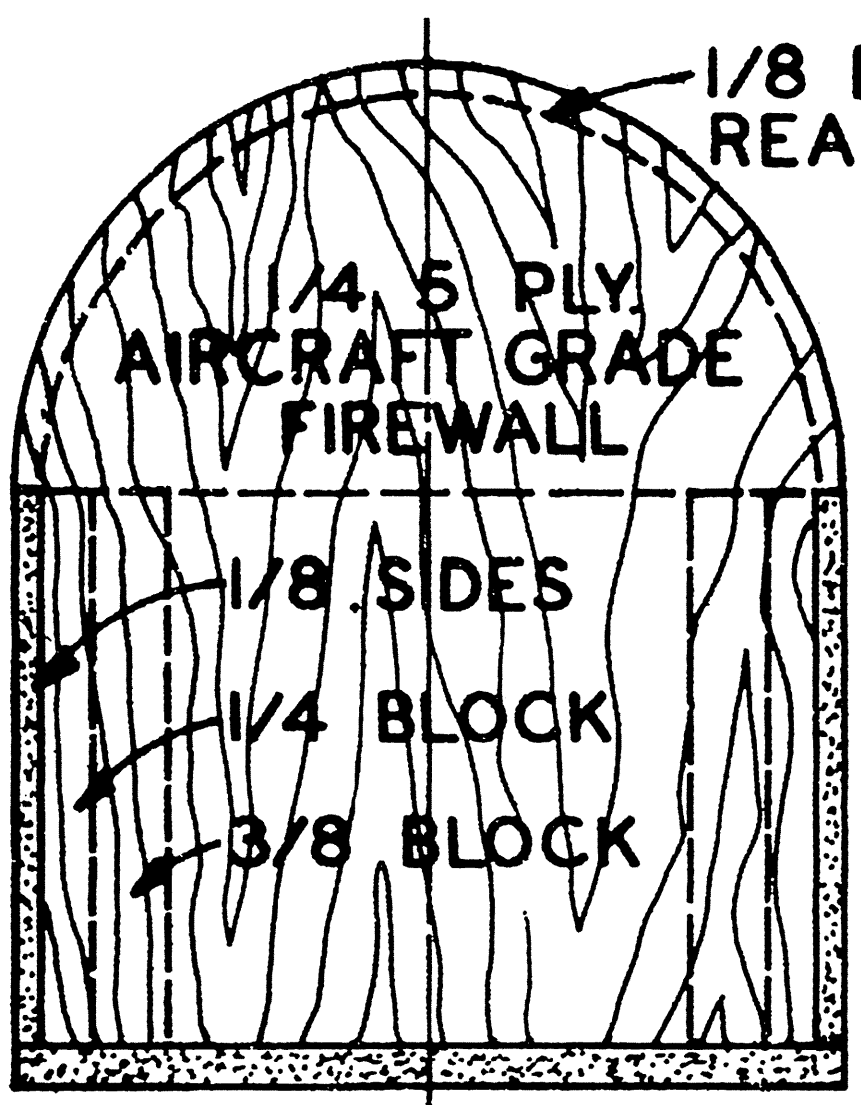
GOLDEN SNIFFER SHEET 2 OF 2



1/8 SOFT SHEET
FORMER H

1/16 PLY.
FORMER I

3/16 SHEET
FORMER J



FORMER A

FORMER B

FORMER C

FORMER D

FORMER E

FORMER F

FORMER G