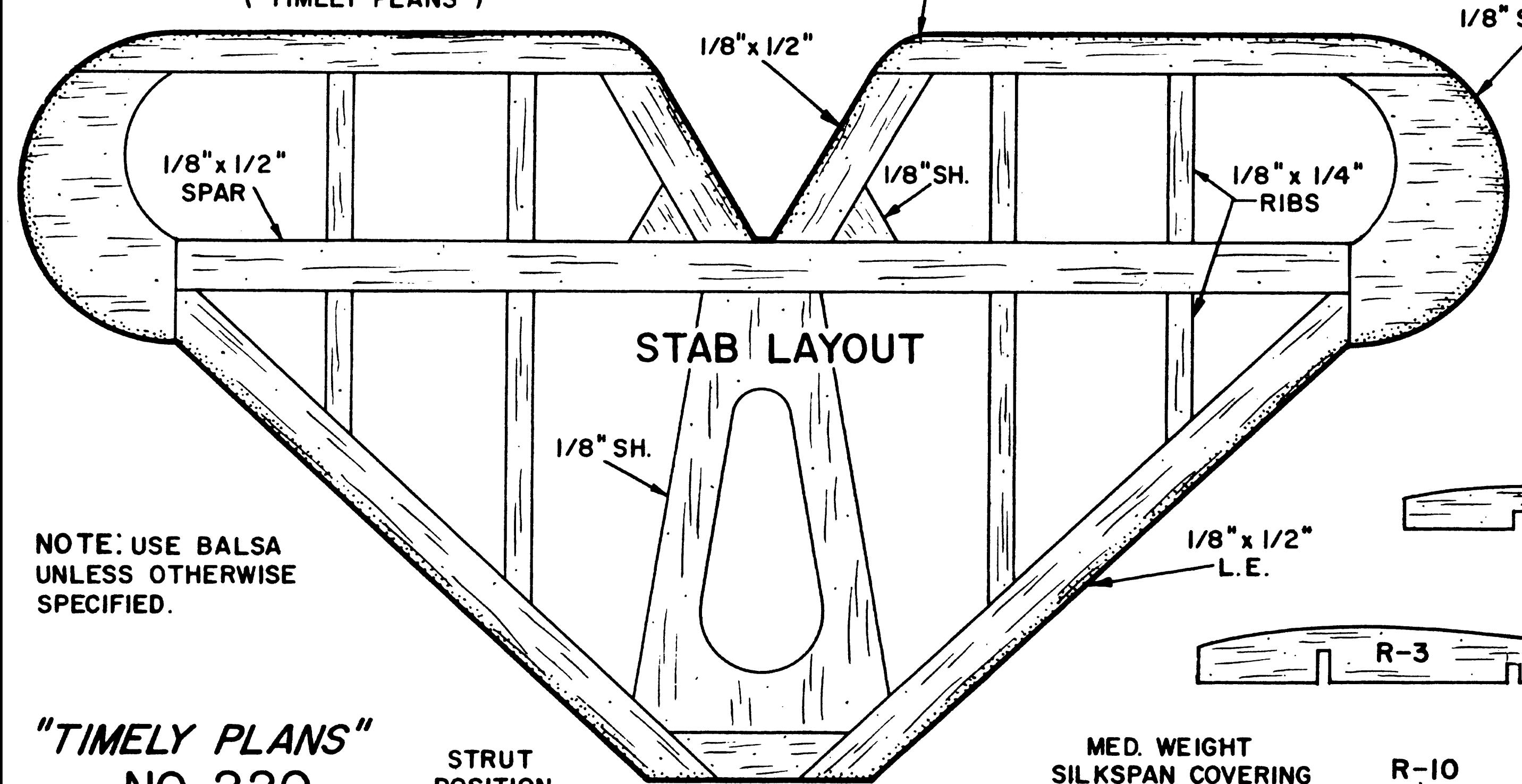


TOP WING PLAN

AILERON OUTLINE - 1/32" BLACK TRIM TAPE ("TIMELY PLANS")
1/8" x 3/8" T.E.
1/16" SH. PLANKING

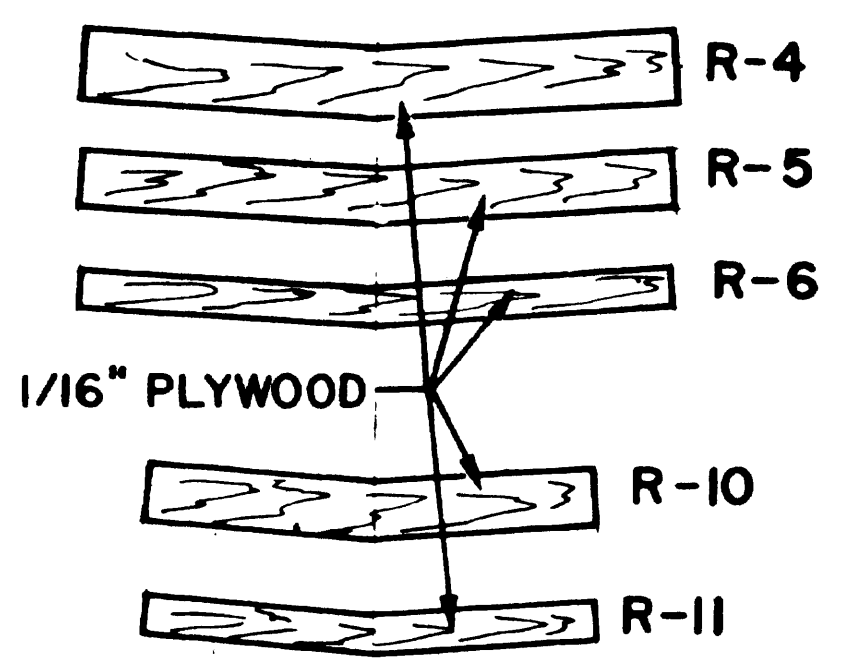
3/16" x 3/4" TAPERED T.E.
"A"



NOTE: USE Balsa UNLESS OTHERWISE SPECIFIED.

"TIMELY PLANS" NO. 220

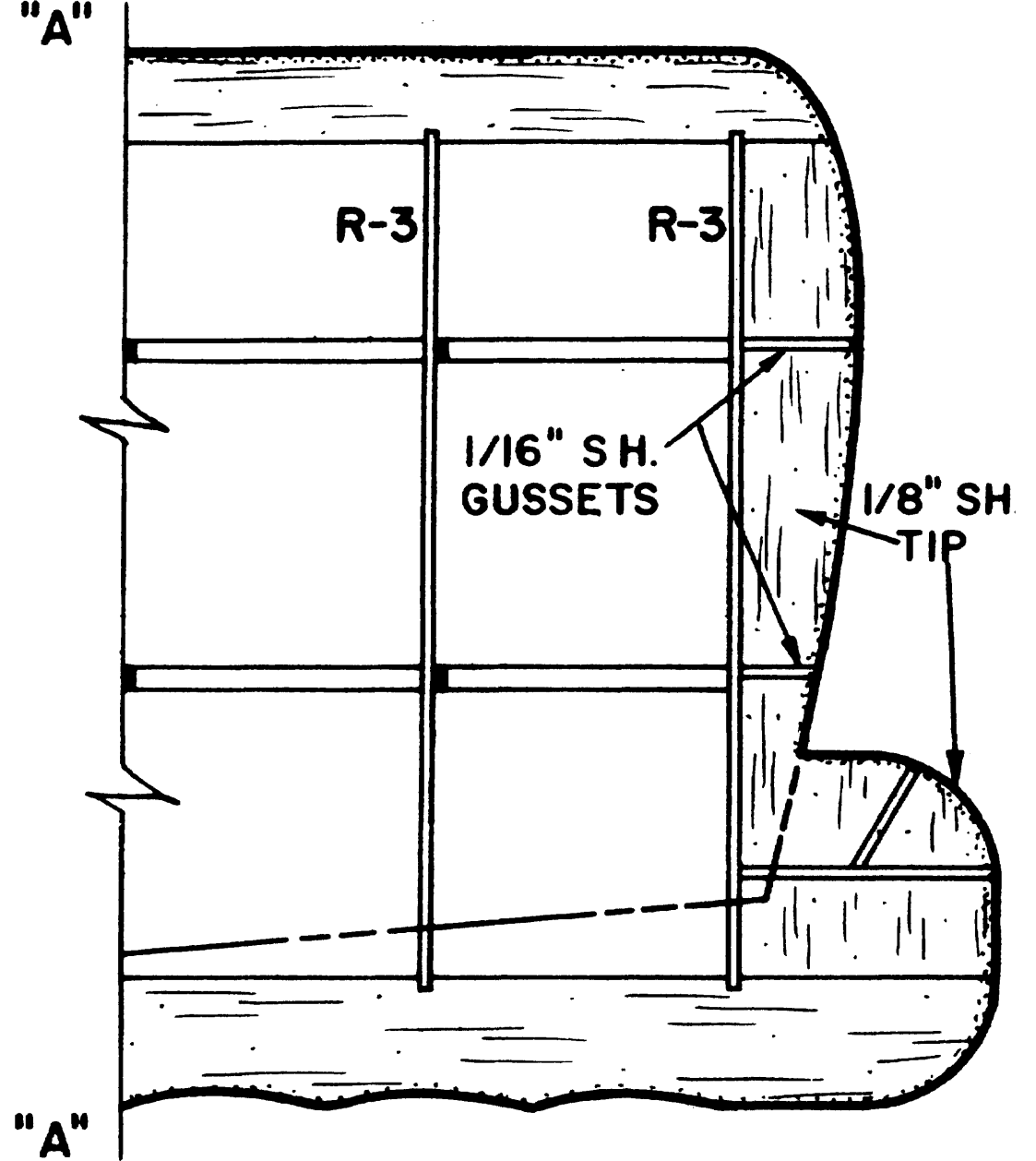
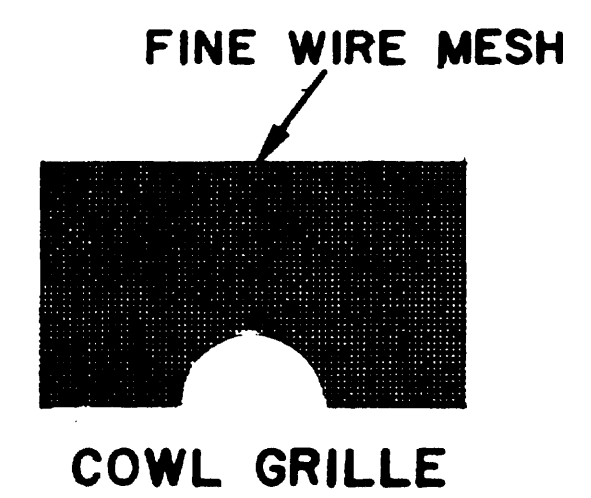
STRUT POSITION



STAB RIB LAYOUTS

WING RIB LAYOUTS

NOTE: WING RIBS ARE 1/16" SH. UNLESS NOTED.



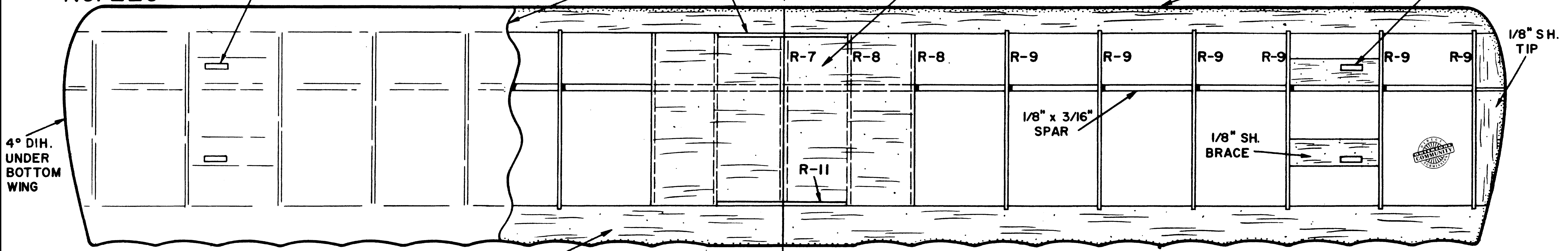
MED. WEIGHT SILKSPAN COVERING

R-10

1/16" SH. PLANKING

5/16" x 1/2" L.E.

1/8" O.D. TUBING



BOTTOM WING PLAN

SCALE INCHES

