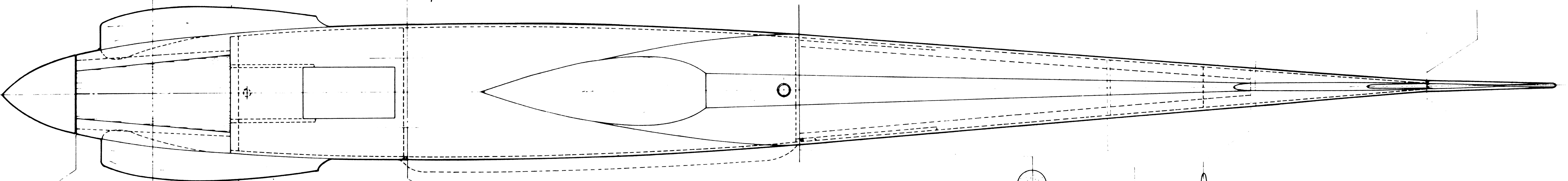


Bottom View of Fuse → Top of Fuse.

Pine Camlock **BOTTOM VIEW OF WING**



Designed by DAVE GIERKE

