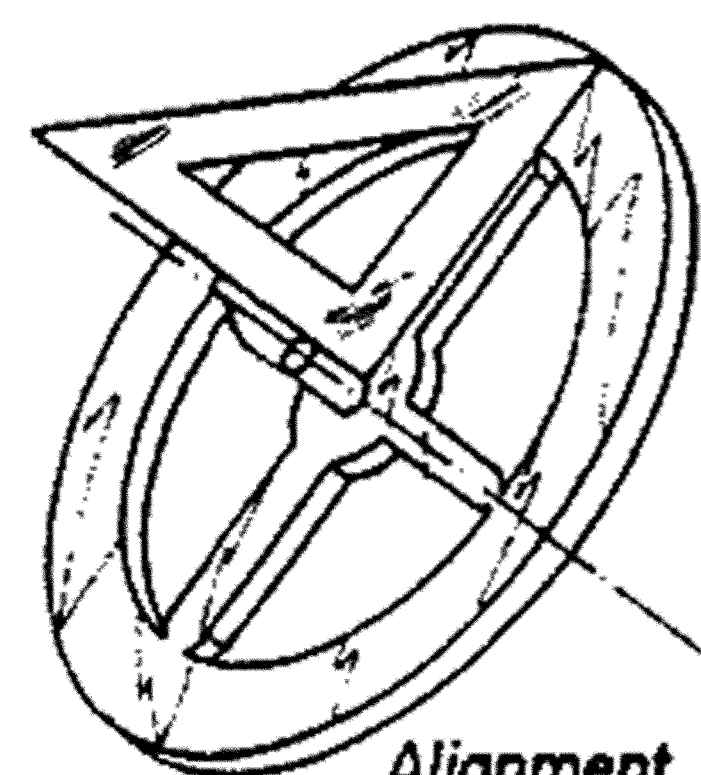
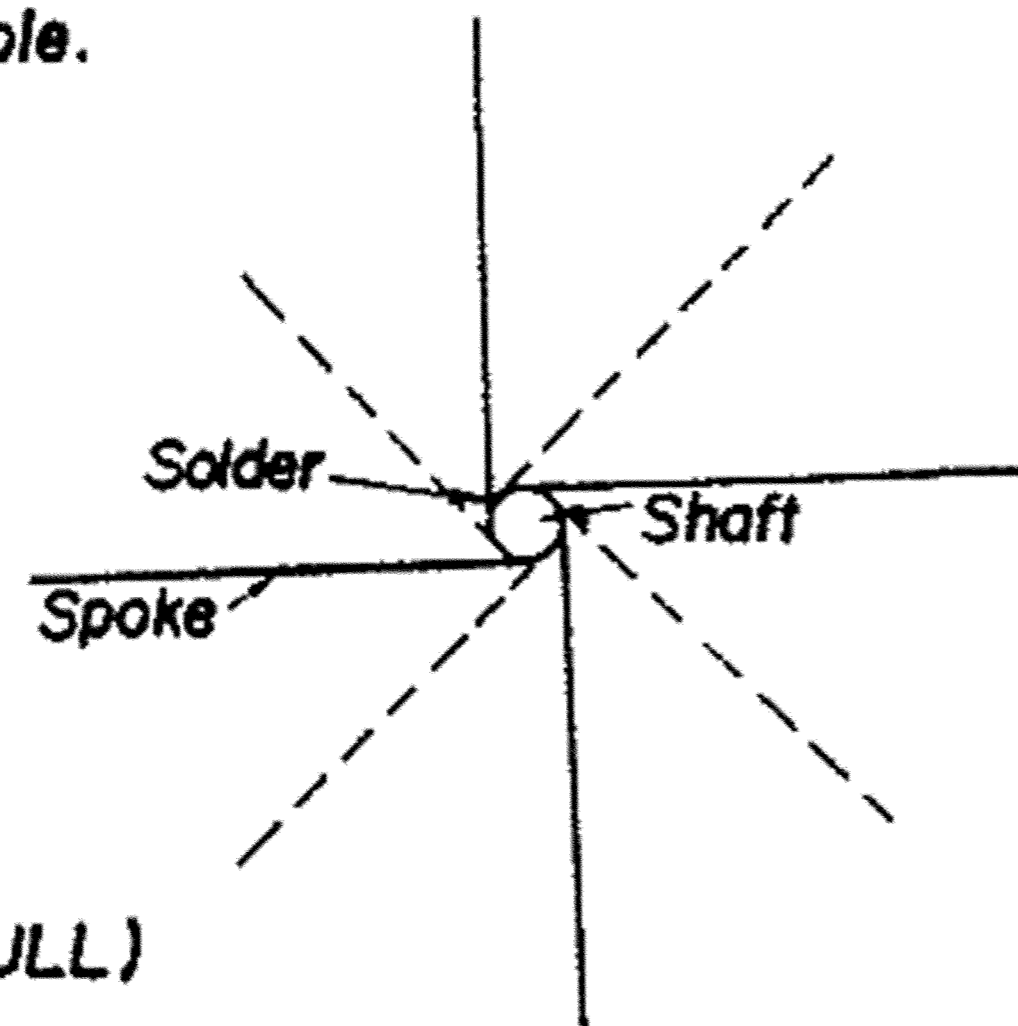
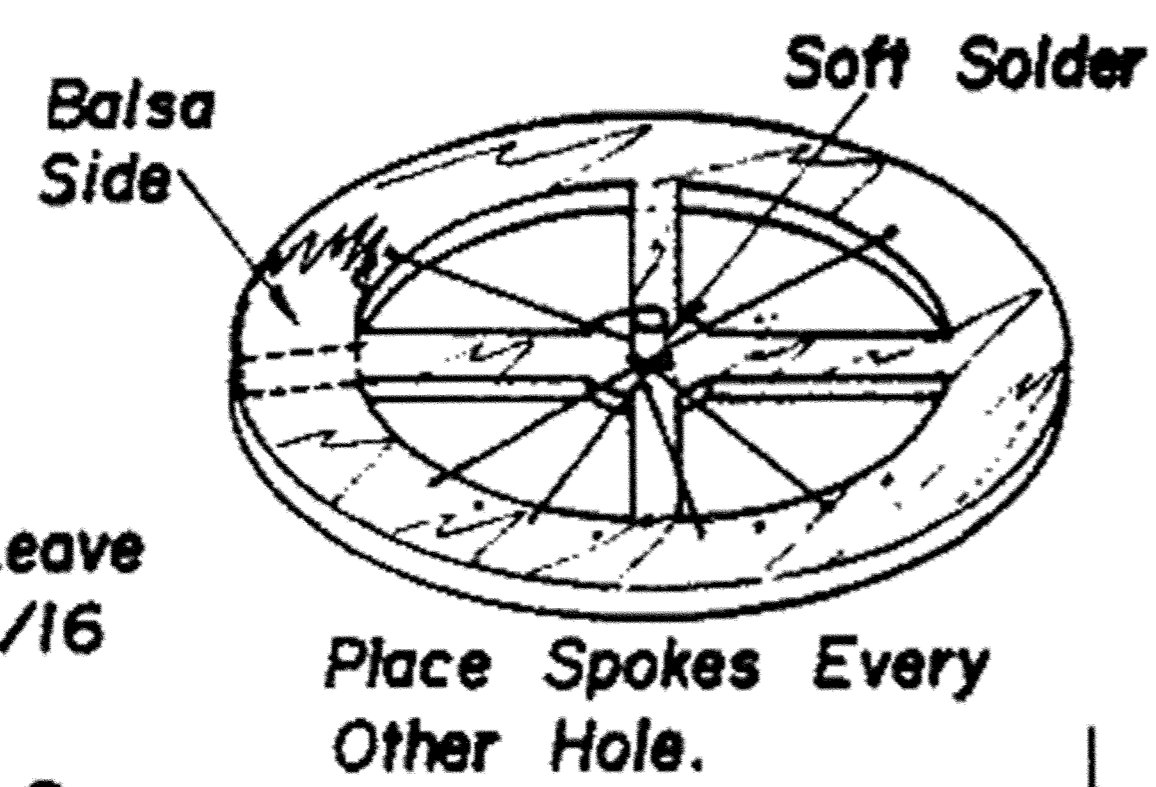
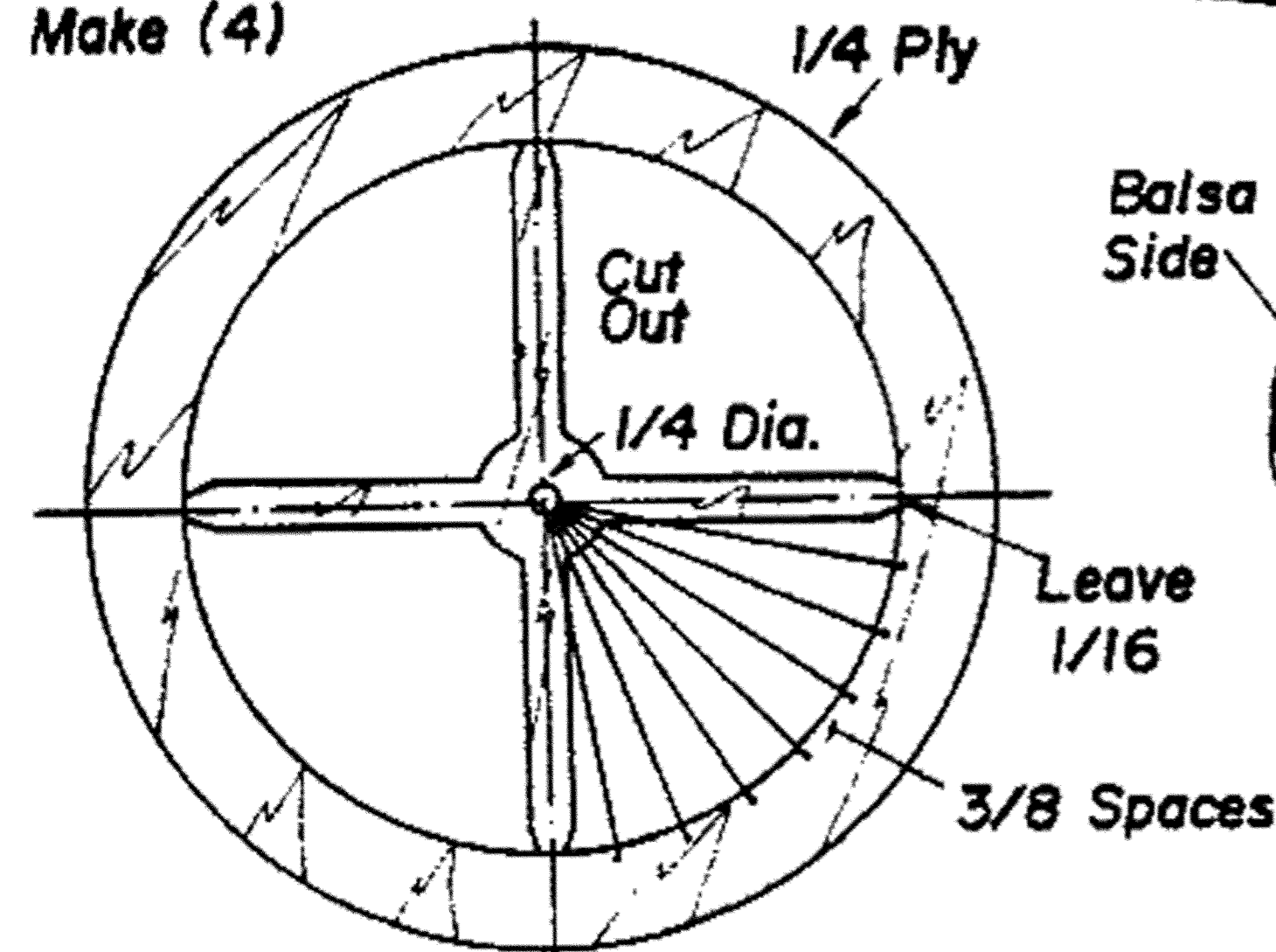


Make (4)



Alignment Check

Check Proper Setting of Shaft By Using Artists Triangle. Cement In Place Without Moving Shaft. Drill Small Holes for Spoke Wires 360° As Shown 3/8" Apart.

Place (4) Spokes On One Side As Shown Then (4) On Other Side Be Sure Wires Are Tight.

Remove Cross Wood. (BE CAREFULL) Glue 1/4 Balsa Rings In Place Sand Edges Round On Elec. Drill.

