

TAPER BOTTOM OF SPAR TO 1/4" FROM THIS POINT TO TIP

1/4" SQ. HARD BALSA LEADING EDGE

1/16" SHEET BALSA

3/32" PLY STRUT SUPPORT

3/16" SQ. BALSA TOP SPAR

WING PLAN LEFT SIDE

3/32" RIBS

1/4" x 3/4" SPRUCE SPAR

PLY DIHEDRAL BRACES

1/4" SHEET BALSA

1/16" ALUM. STRUT MTS. MAKE 4

3/32" PLY

1/4" x 1" TRAILING EDGE STOCK

STABILIZER

1/4" BALSA SHEET

1/4" SQ. BALSA

3/32" WIRE JOINER

ELEVATOR

1/4" BALSA

1/4" BALSA SHEET

TIP RIB 3/32" SHEET MAKE 2

WING RIBS 3/32" SHEET MAKE 25

ADJUSTABLE CLEVIS

WING STRUT

BICYCLE SPOKE EPOXY IN

HINGE TO SUIT

1/4" x 3/8" SPRUCE - AIRFOIL SHAPE - MAKE 4

DIHEDRAL BRACE

3/32" PLYWOOD MAKE 2

TOP VIEW

.25 TO .35 ENGINE

CABANE & WING REST ASSEMBLY

1/8" PLYWOOD STAB. MOUNT

F-2

F-3

REAR CABANE STRUT

FIN

RUDDER

COWL MADE FROM BALSA BLOCK OR BUILD UP FROM PIECES

1/8" PLANKING

1/8" WELDING ROD

BIND & SOLDER ALL JOINTS

1/4" SQ. BALSA

3/16" BALSA

F-5

STAB.

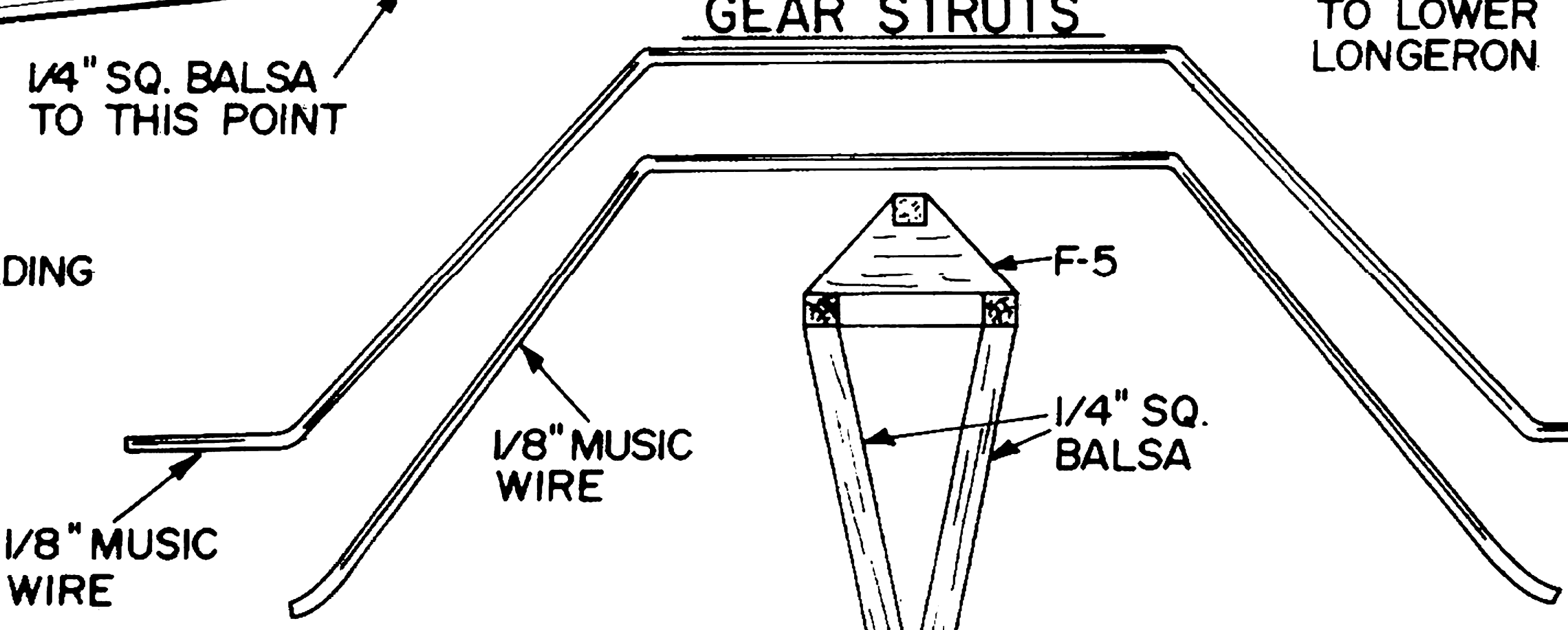
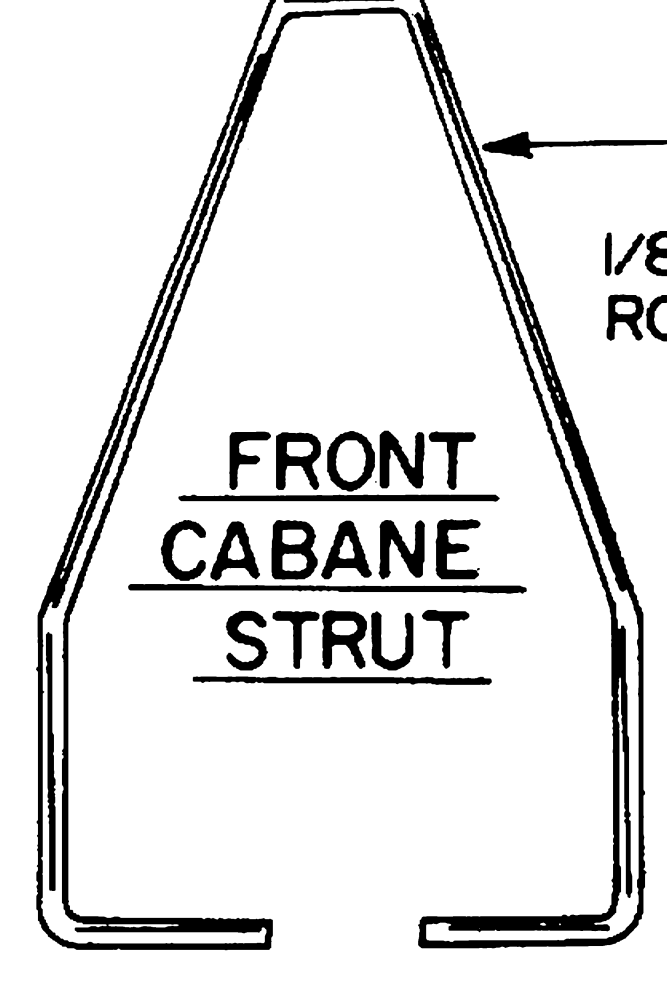
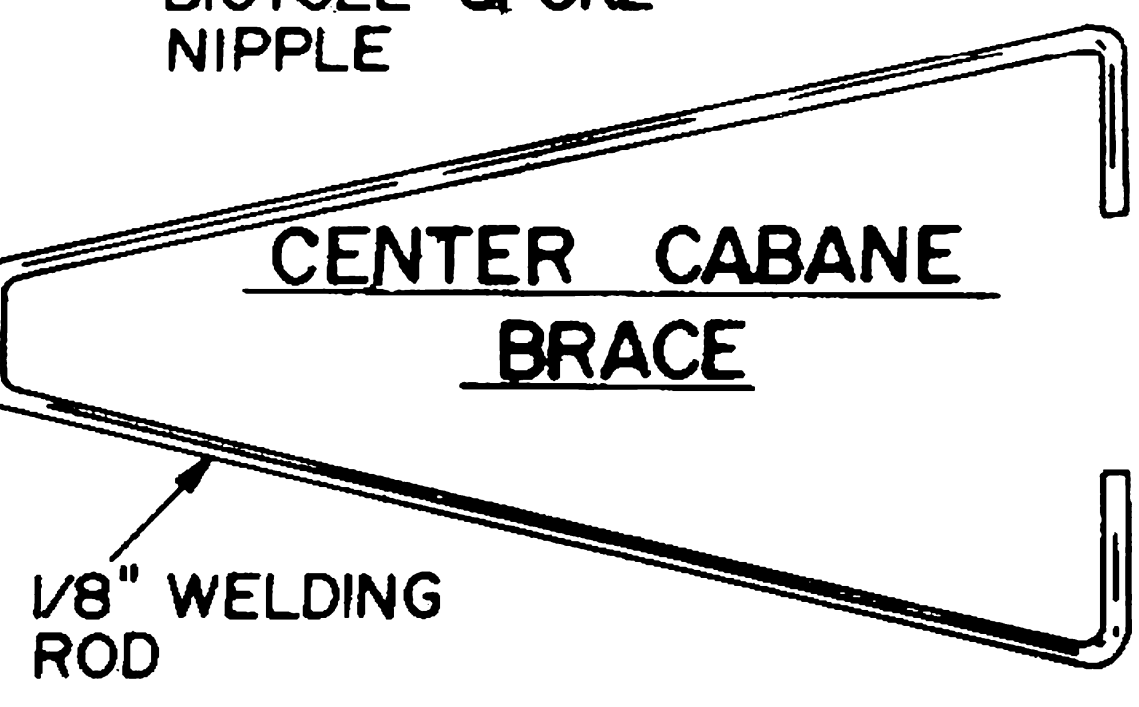
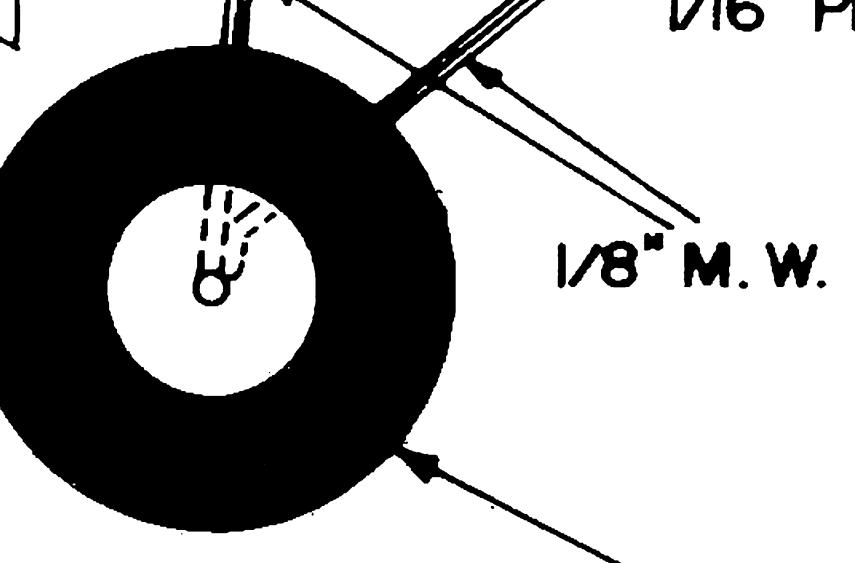
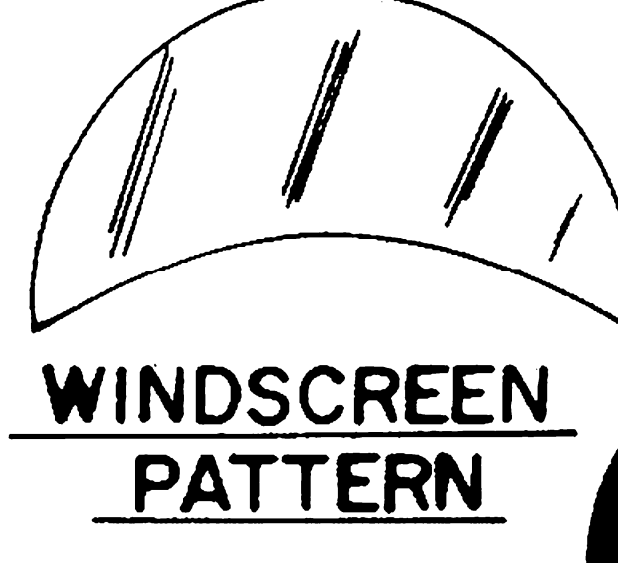
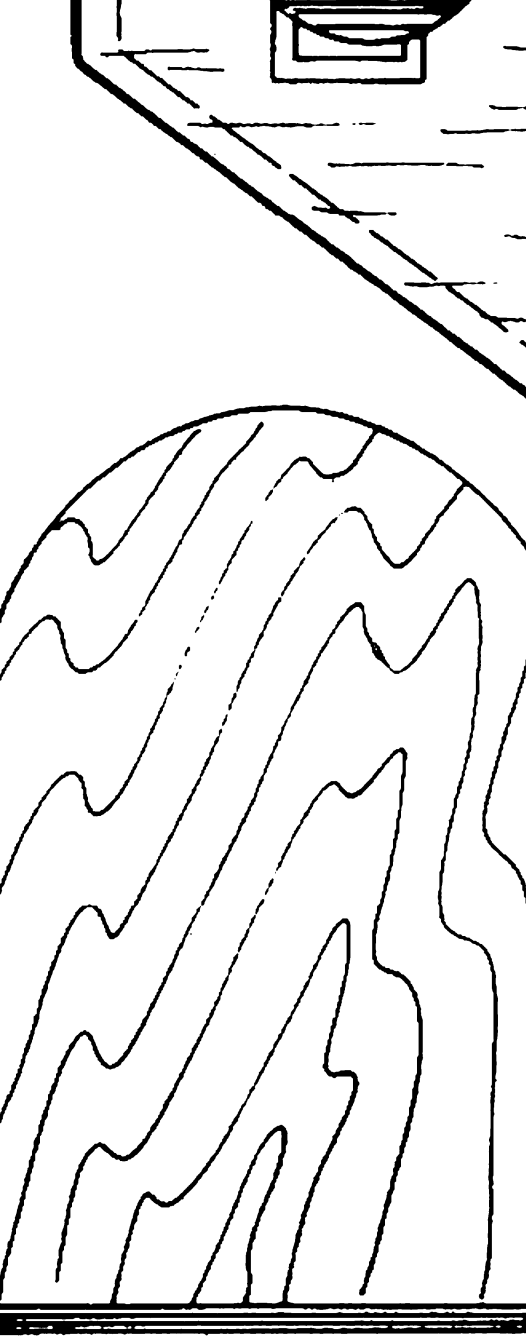
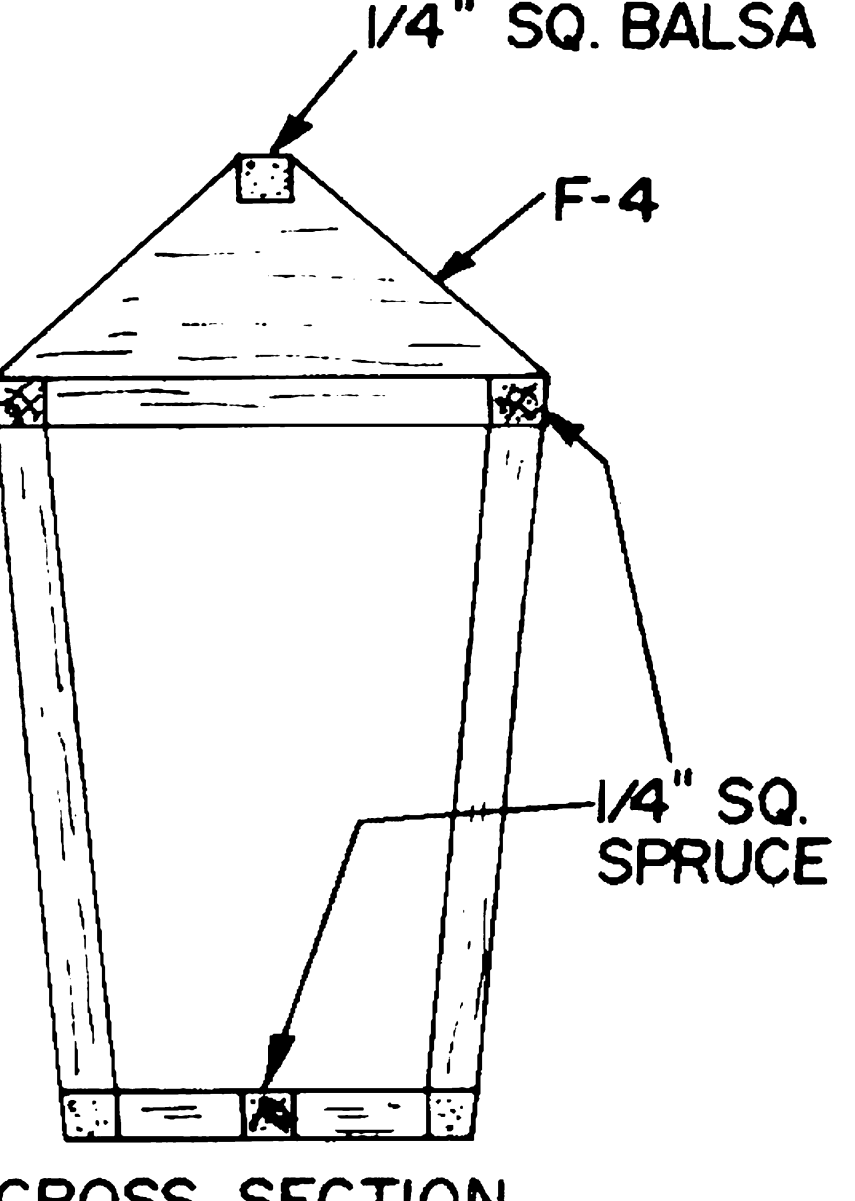
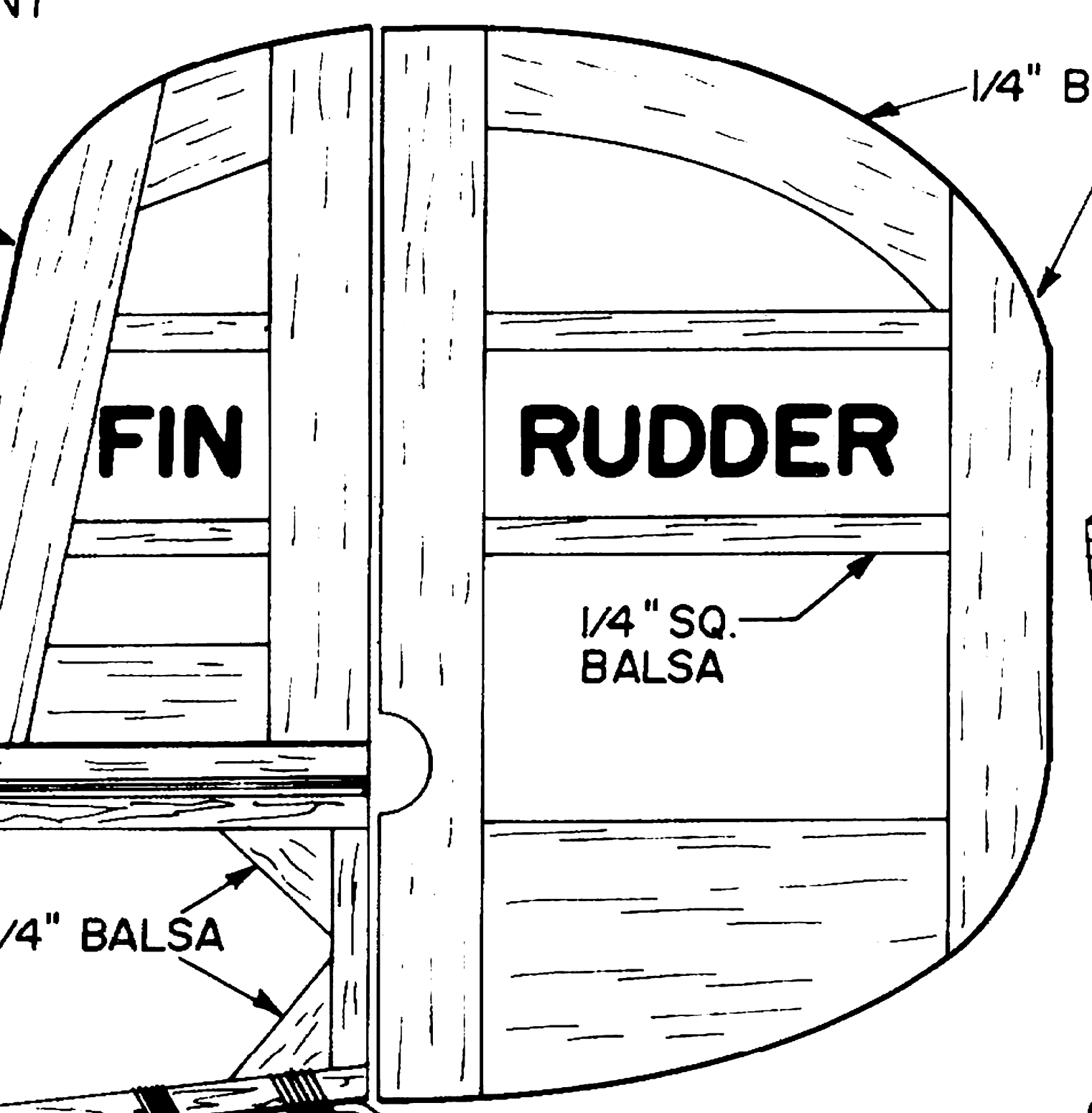
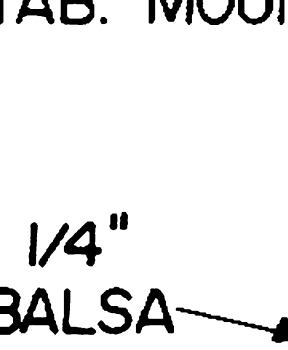
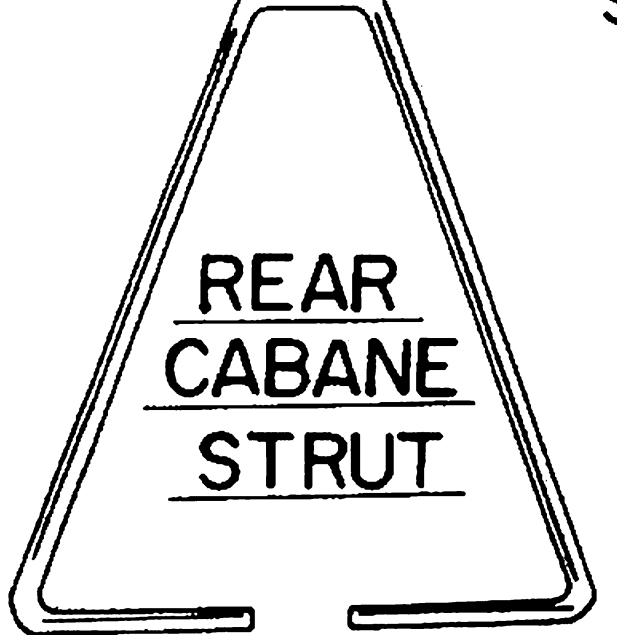
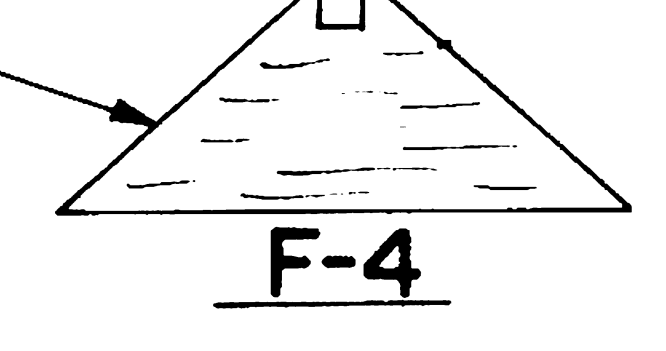
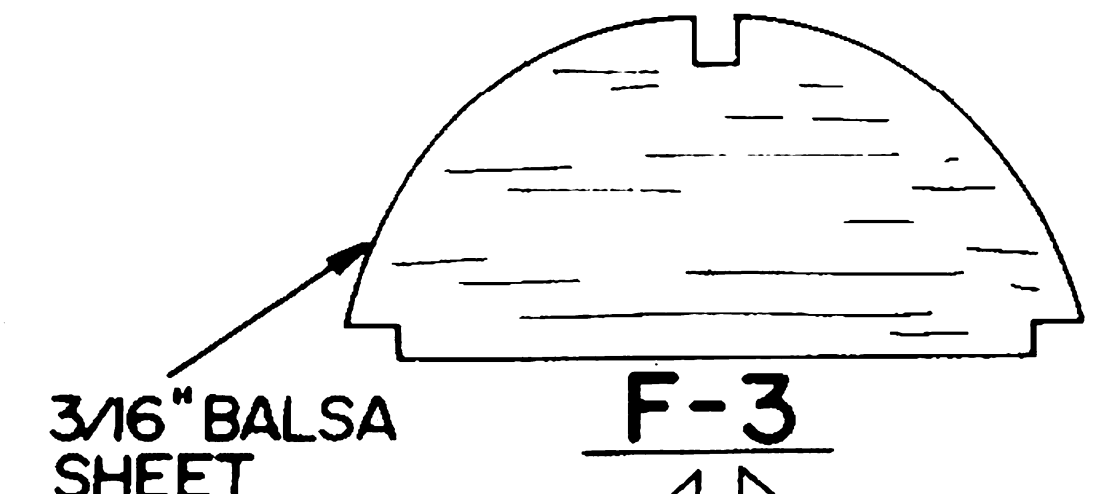
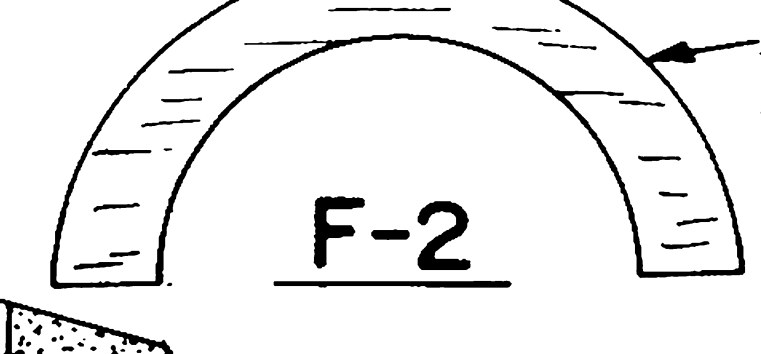
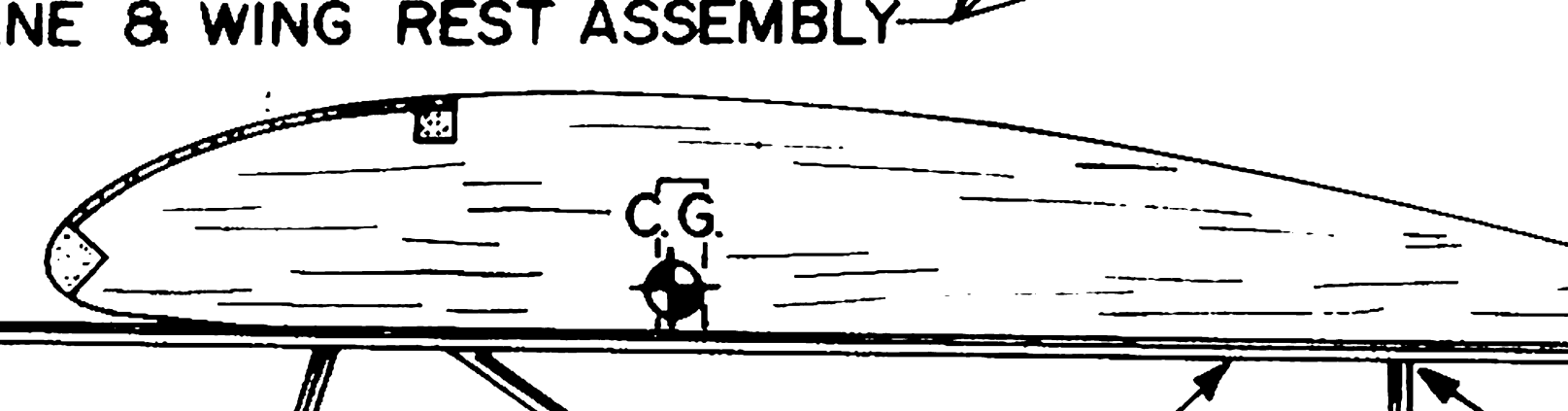
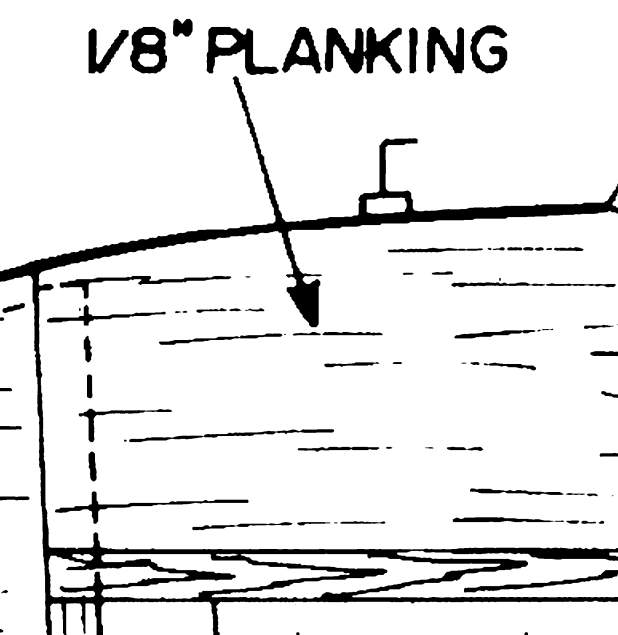
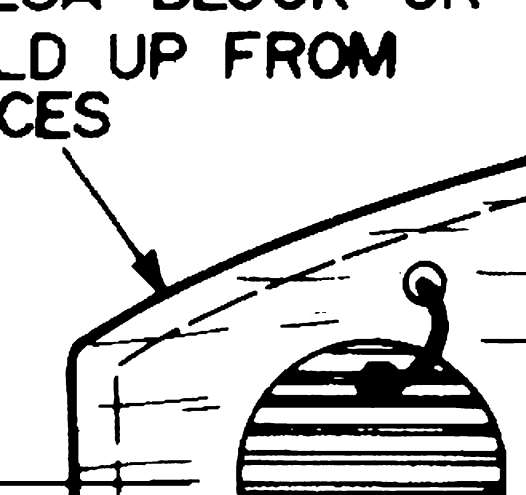
1/4" SQ. BALSA

1/4" SQ. BALSA

F-4

1/4" SQ. SPRUCE

CROSS SECTION F-4



CROSS SECTION F-5

FIREWALL

WINDSCREEN PATTERN

BEVEL

2-1/2" DIA. WHEELS

1/8" M.W.

1/4" BALSA FILLERS 1/16" PLY ON INSIDES

CENTER CABANE BRACE

1/8" WELDING ROD

FRONT CABANE STRUT

1/8" WELDING ROD

1/8" MUSIC WIRE

GEAR STRUTS

1/8" MUSIC WIRE

1/4" SQ. BALSA

BIND TAIL SKID TO LOWER LONGERON

3/32" M.W. TAIL SKID

1/4" SHEET BOTH SIDES

1/4" BALSA

1/4" SQ. BALSA

1/4" SQ. BALSA TO THIS POINT

FUSELAGE SIDE VIEW

1/4" GUSSETS

1/4" SQ. SPRUCE

1/4" SQ. BALSA

F-5

1/4" BALSA

1/4" SQ. BALSA

CROSS SECTION F-4

FLYING MODELS
SPORT SCALE
1930 AMERICAN EAGLE AIRCRAFT CO.
"EAGLET"
SCALE 2"=1" SPAN = 68-1/2" WT. = 4 LBS.
DESIGNED & DRAWN BY AL WOLSKY
TRACING BY JOE DEMARCO
ALL RIGHTS RESERVED