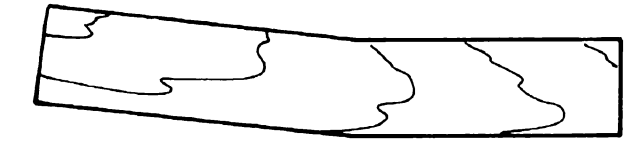
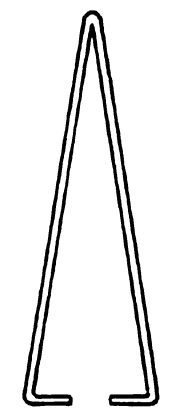
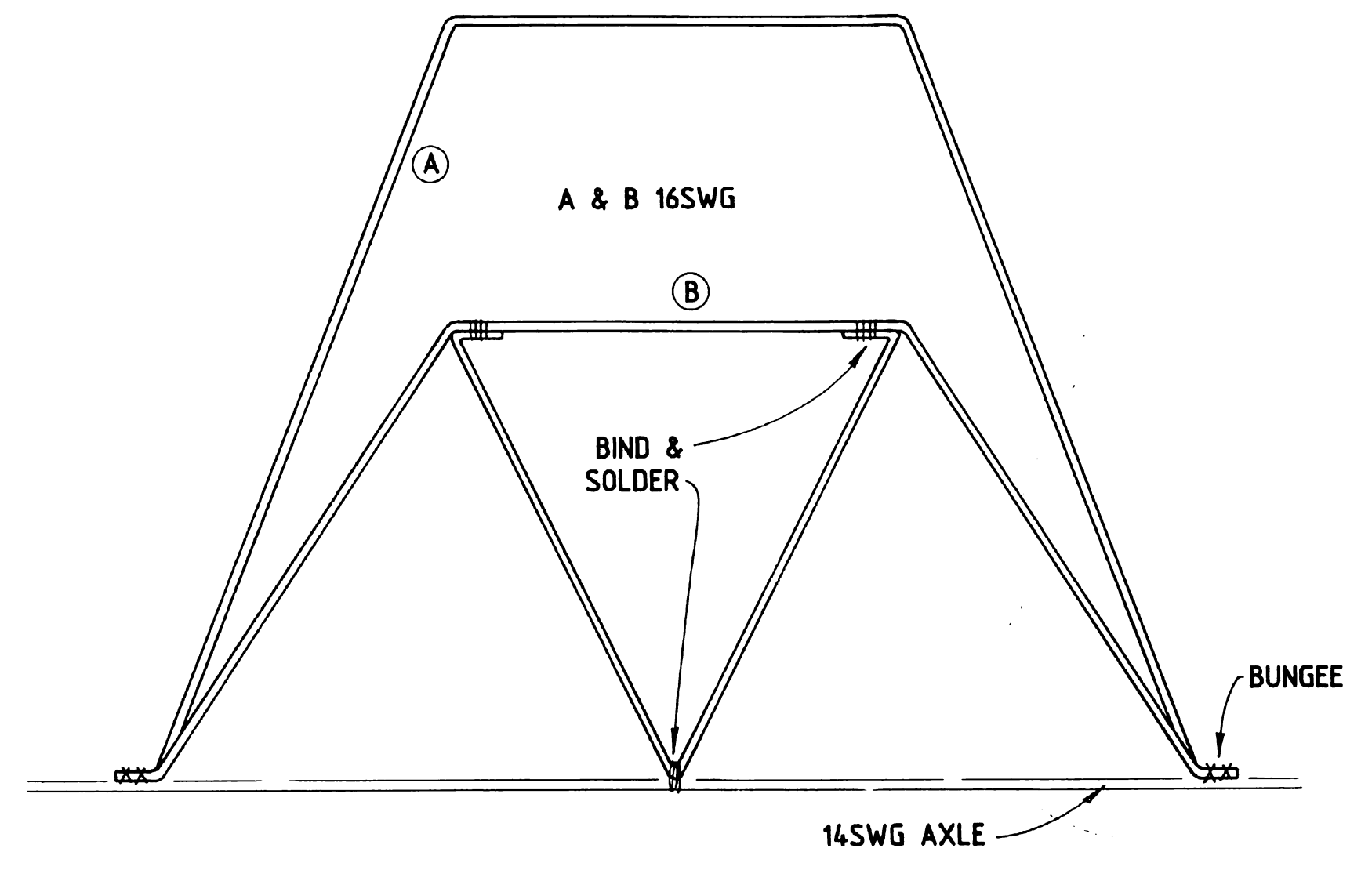


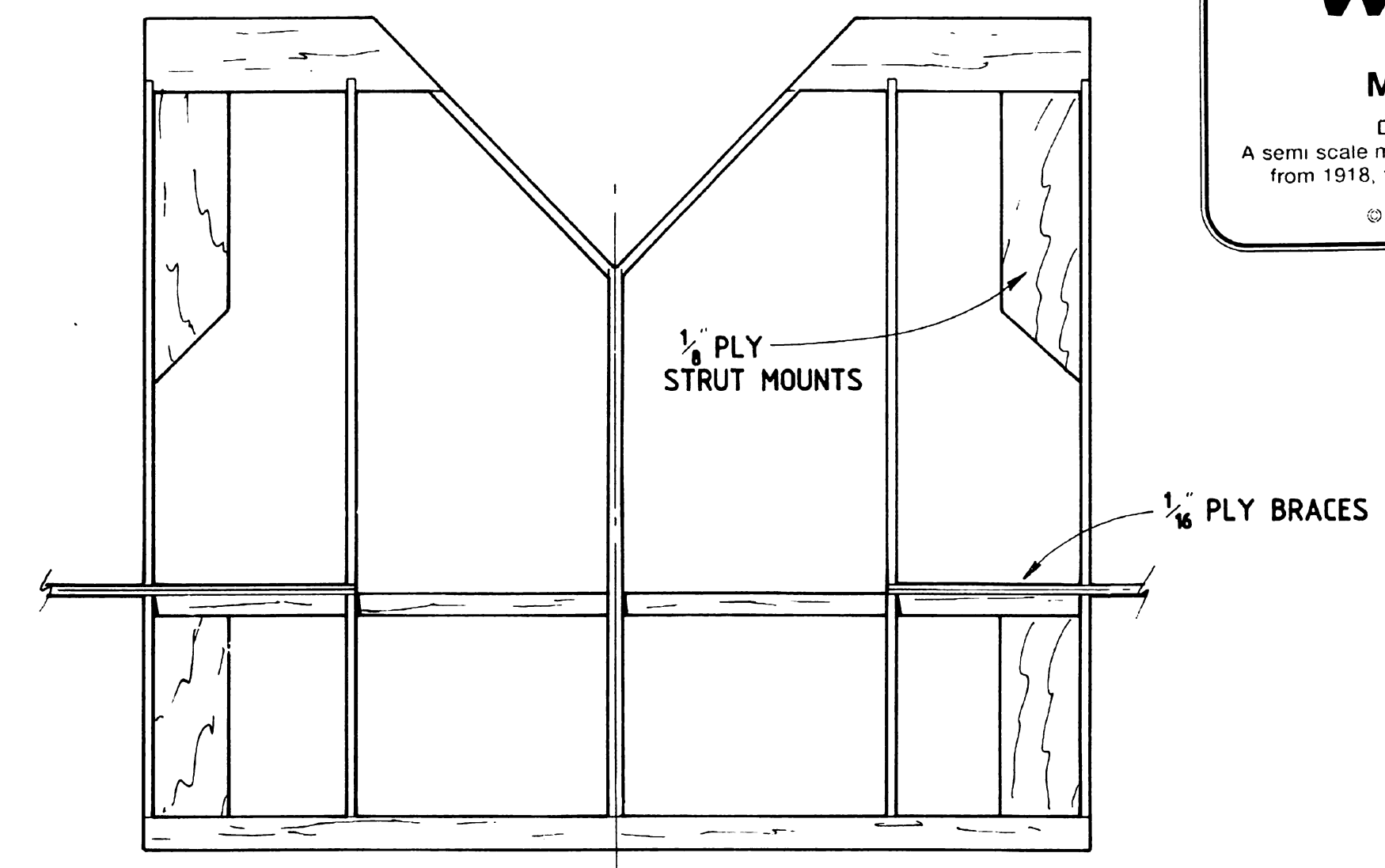
TAILSKID (E) 20SWG



$\frac{1}{16}$ PLY DIHEDRAL BRACES, 2 OFF



CENTRE SECTION



MODEL WORLD
 MW2773
 Microplan Veloz
 Designed by Peter Rake
 A semi scale model of this unusual Mexican design from 1918, for speed 400 motor and gearbox.
 © Traplet Publications Limited