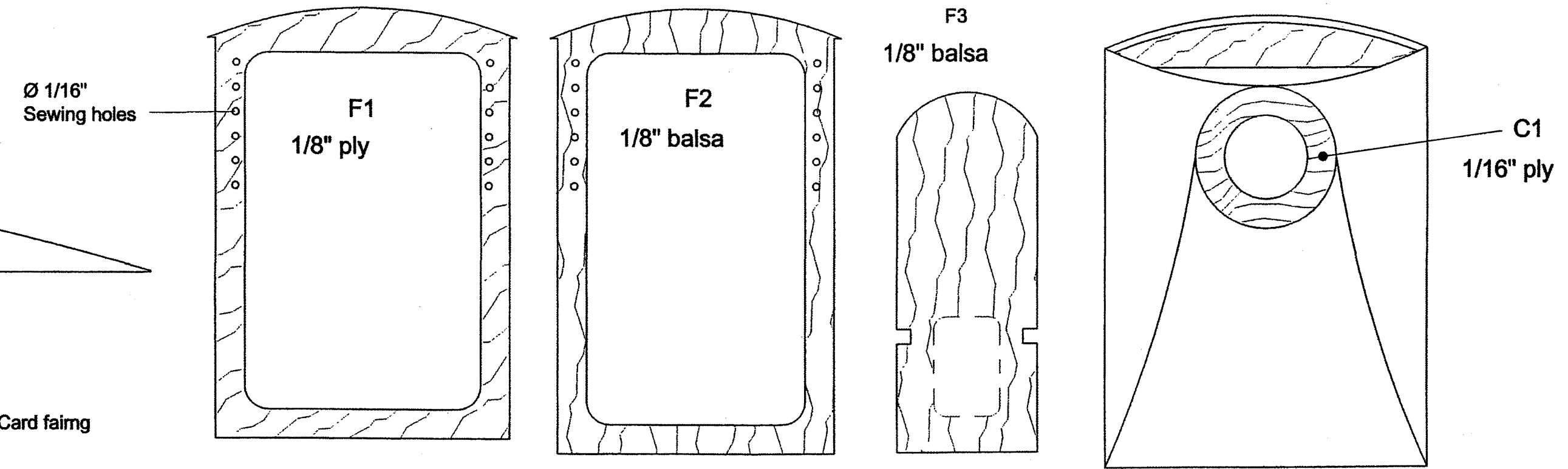
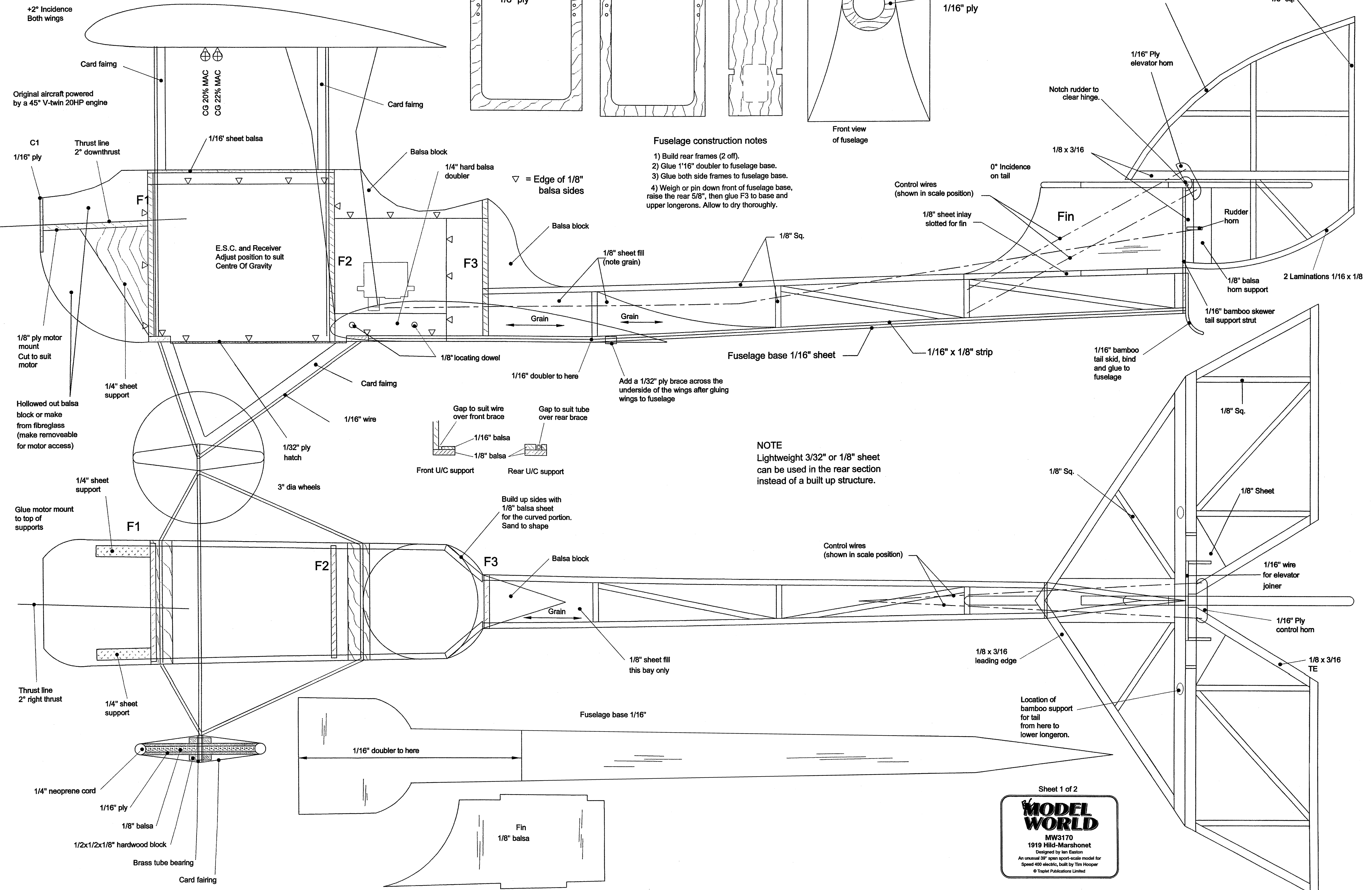


For initial flights, balance between 20 and 22% MAC  
 Only root rib shown for clarity (both wings)



**Fuselage construction notes**  
 1) Build rear frames (2 off).  
 2) Glue 1/16" doubler to fuselage base.  
 3) Glue both side frames to fuselage base.  
 4) Weigh or pin down front of fuselage base, raise the rear 5/8", then glue F3 to base and upper longerons. Allow to dry thoroughly.



**NOTE**  
 Lightweight 3/32" or 1/8" sheet can be used in the rear section instead of a built up structure.

39" span  
 Top wing 233.8 sq in  
 Bot. wing 173.2 sq in  
 Total wing area = 407 sq. in  
 Total wing area = 2.83 sq.ft

