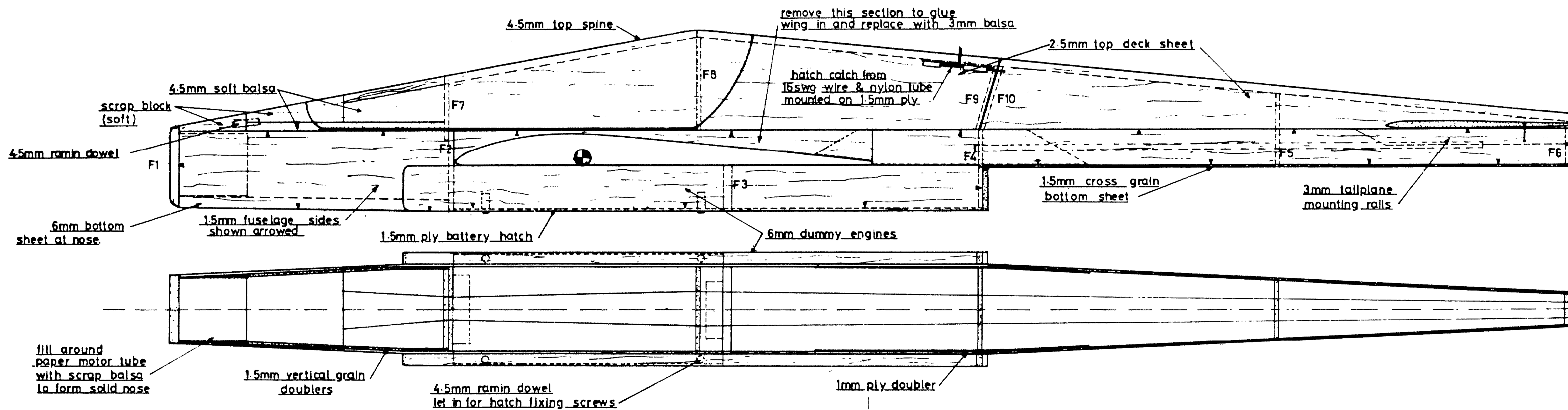
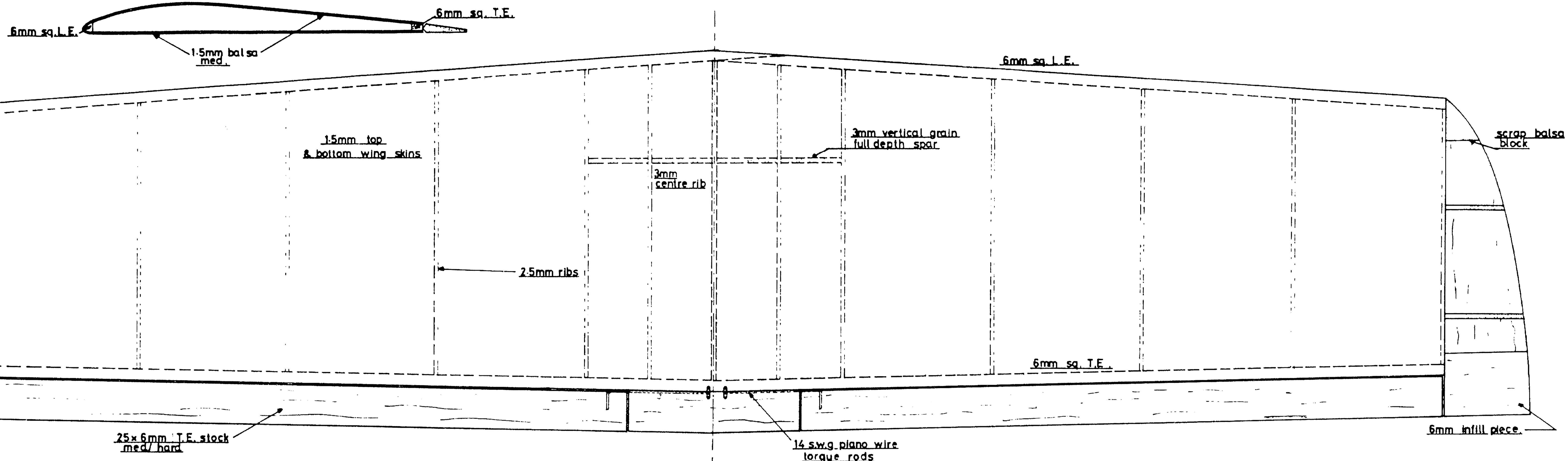
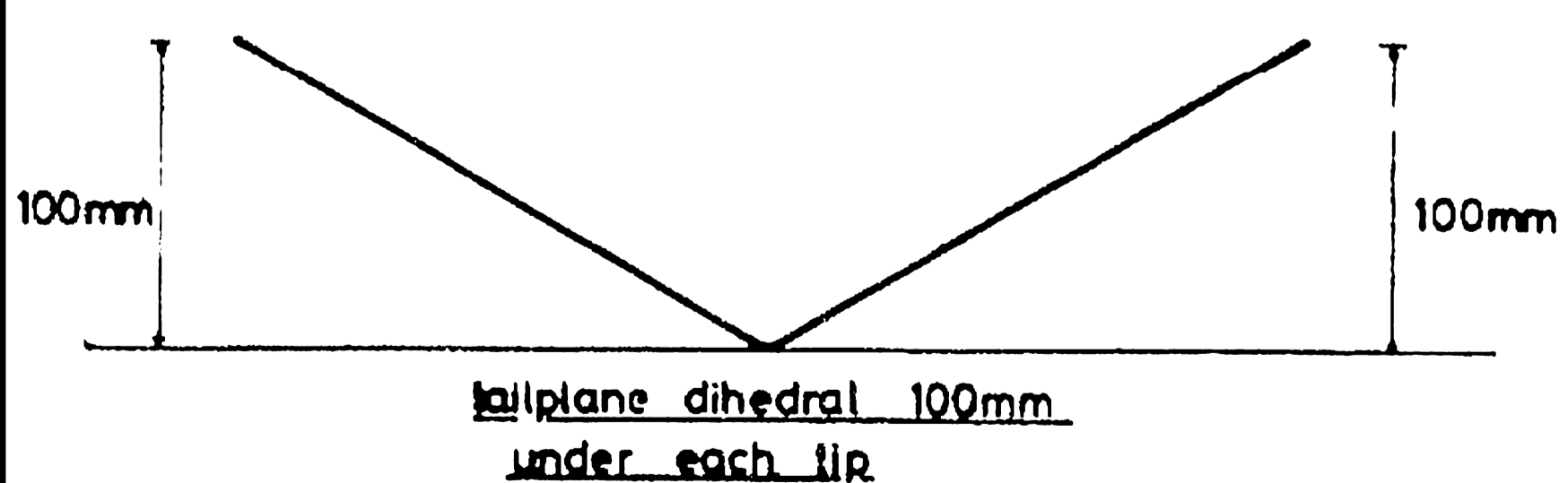
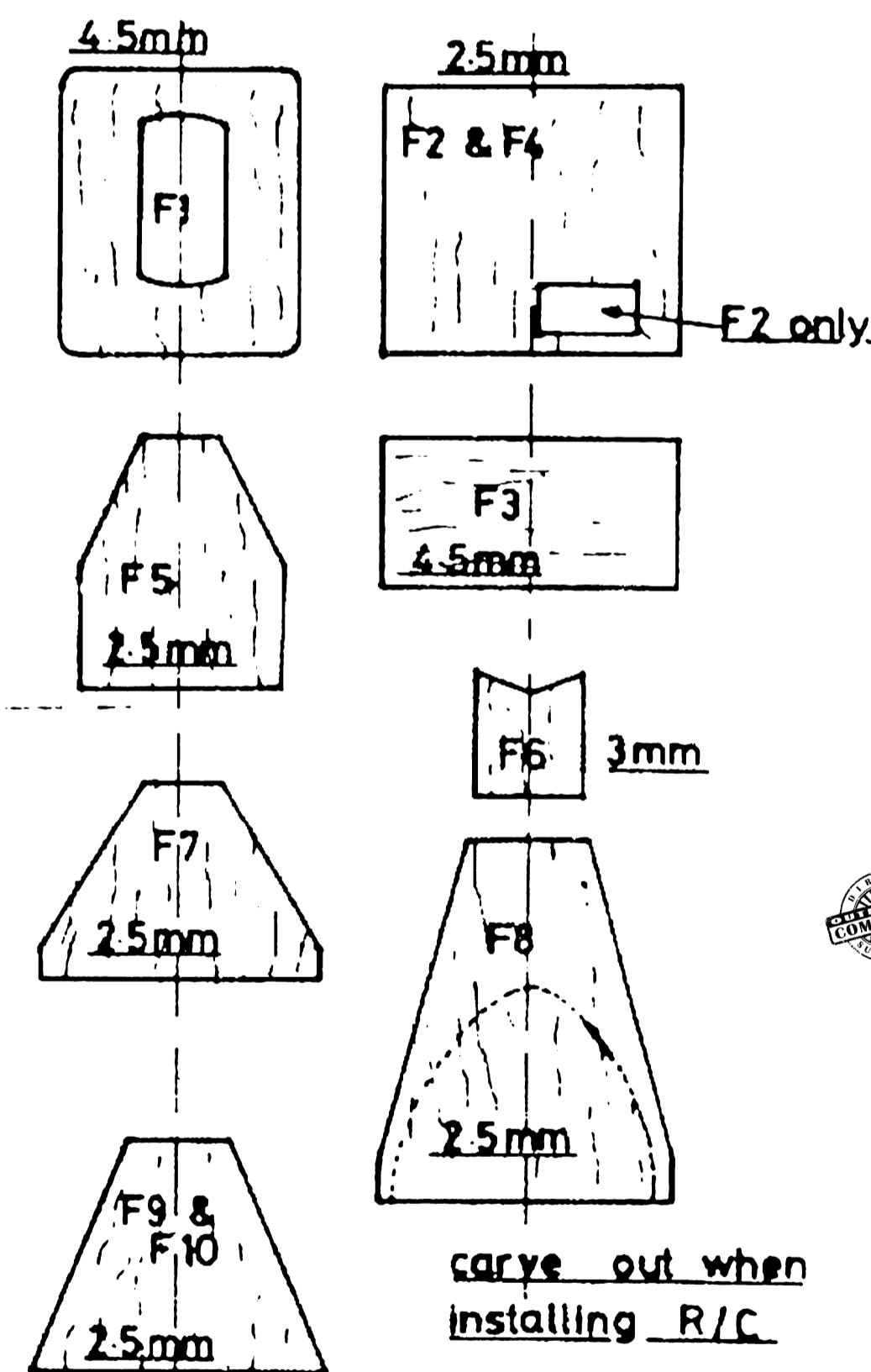


cut all ribs as below, then mark and cut each rib to length (cut from T.E.), bring back to profile by skewing template on rib and trim off top of rib (see sketch)

NOTE - All materials are balsa unless otherwise specified



All formers are med-hard balsa

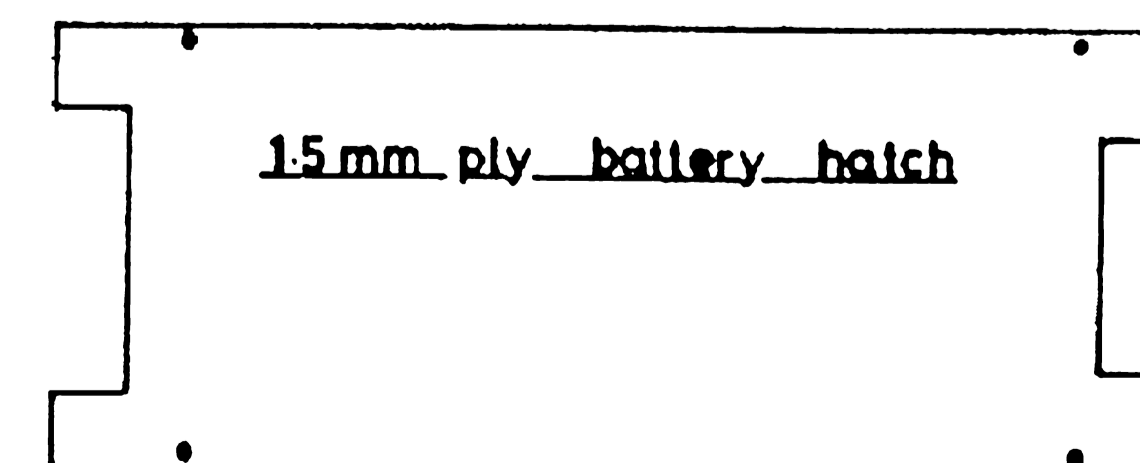


control surface deflections:- ailerons ± 5mm
elevator ± 6mm

NOTES:-

all up weight:- 925 - 1000g
motor:- Mabuchi 540 S
battery:- 6 or 7 cell 1200mah
number of channels:- 3

motor tube formed by wrapping and glueing a strip of stiff paper around motor but take care not to glue tube to motor case.



Radio Control **World Wide** PLAN SERVICE

ELECTRO-JET
designed by
Chris Martindale

A 38 inch span, two or three function electric model suited to Mabuchi 540 motors and 7.2 volt, 1.2Ah Nicad packs.

© RC Model World. All Commercial Rights Reserved