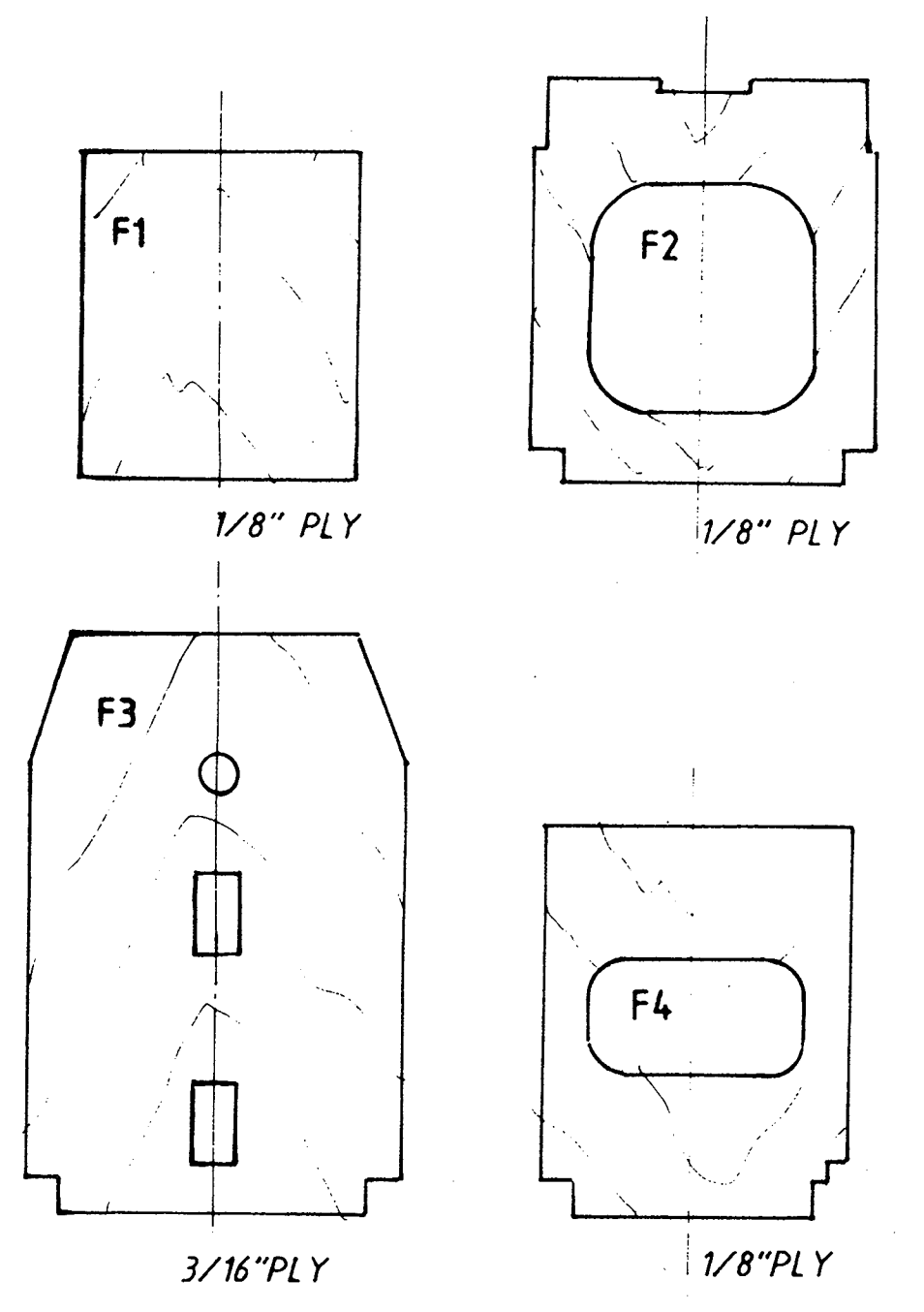
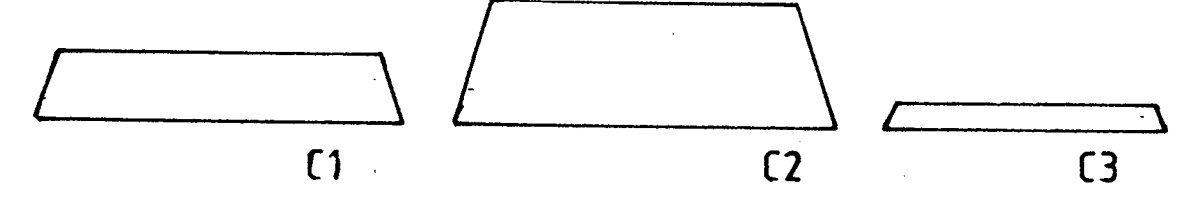
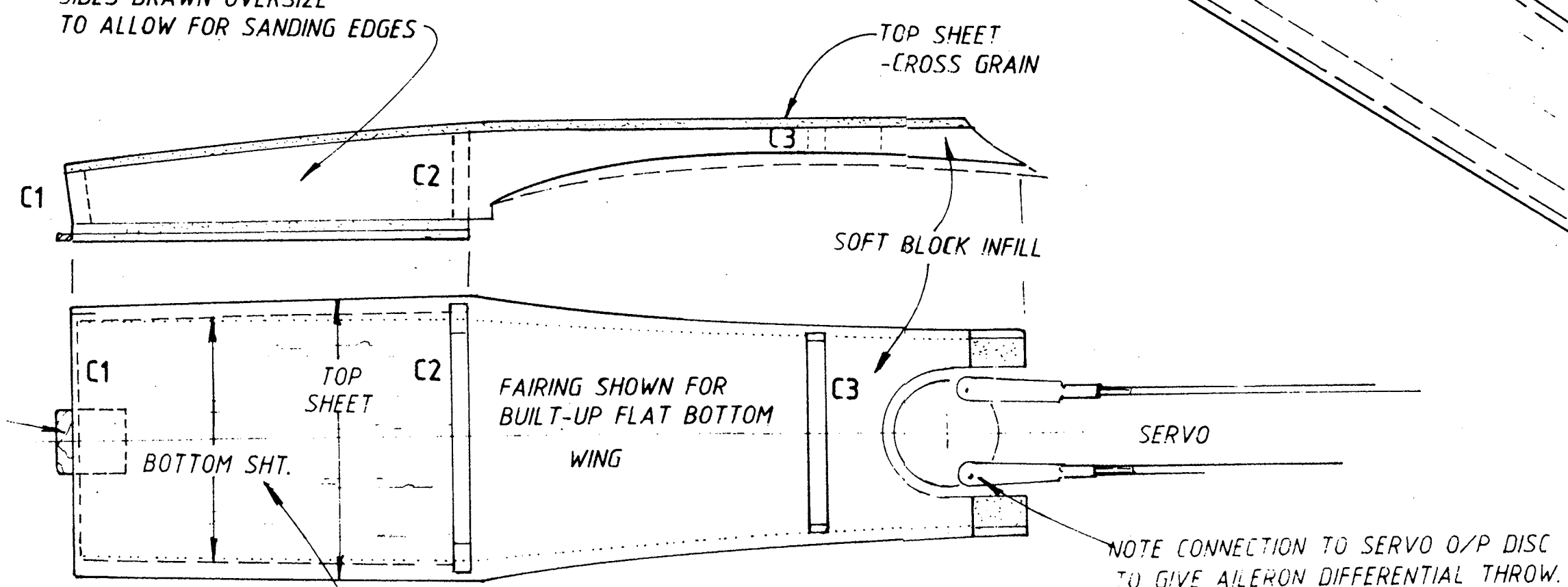


LAMINATED NOSE BLOCK
 NOSEWEIGHT CUT LEAD FLASHING TO SHAPE (SHOWN CROSS-HATCHED) WRAP WITH MASKING TAPE & GLUE WITH EVO-STICK
 500m.A./Hr NICAD
 RECEIVER AND SWITCH
 1/8" SQ. VERTICALS GLUE IN PLACE FIRST TO AID POSITIONING FORMERS
 1/4" SQ. VERTICALS
 1/2" SHT. TOP
 ONE PIECE BUILT UP HATCH & FAIRING
 1/16" SHEET DOUBLER
 R.X. & SWITCH
 3/16" SQUARE
 3/8" SHEET BOTTOM
 F1
 F2
 AEROBATIC WING SEAT TO DOTTED LINE
 1/16" WING SEATING DOUBLER
 BUTTON MAGNET ON HATCH
 STEEL PLATE ON WING
 5m.m. NYLON BOLT
 PLY PLATE
 1/16" SHEET WING SEATING DOUBLER 2 off. REQUIRED CUT TO SUIT AEROFOIL USED
 FLATTENED BRASS TUBE SOLDERED TO PIANO WIRE
 1/8" Balsa TRIPLER 2 off. REQUIRED
 1/4" SQ. VERTICALS & ACROSS TOP & BOTTOM
 1/16" PLY SIDES INDICATED THUS--
 1/8" BOTTOM SHEET GRAIN LENGTHWISE
 3/16" SQ. LONGERONS
 1/4" SQ. STIFFENERS TOP, BOTTOM & BOTH SIDES
 1/8" TOP SHEET-GRAIN LENGTHWISE
 1/16" PLY DOUBLER (2off.)
 1/4" x 3/16" CROSSPIECE
 1/8" BOTTOM SPACER
 1/8" TOP SPACER
 1/16" PLY PLATE OVER WING JOINT UNDER 5m.m. NYLON BOLT
 FIN FROM 3/16" SHEET Balsa
 1/4" TRIANGULAR SECTION EACH SIDE
 TAILPLANE



SIDES DRAWN OVERSIZE TO ALLOW FOR SANDING EDGES



LAMINATE 1/16" SHEETS, TOP SHEET WITH GRAIN CROSSWISE, FULL WIDTH BOTTOM SHEET WITH GRAIN LENGTHWISE, WIDTH TO FIT BETWEEN FUSELAGE SIDES

HATCH DETAIL

Free!
SUPER PLANS
B.M.T.
(BETTER MOUSE TRAP!)
SLOPE AEROBAT

PUBLISHED IN RADIO MODELLER OCT 1986
 COPYRIGHT NEXUS SPECIAL INTERESTS

