

BOTTOM VIEW OF FUSELAGE

BOTTOM VIEW OF FUSELAGE

FUSELAGE BOTTOM VIEW

BOTTOM SHEETING REMOVED FOR CLARITY

FUSELAGE SIDE VIEW

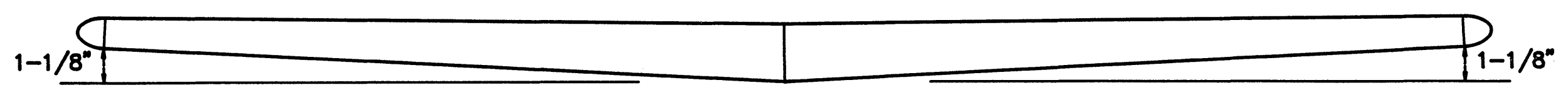
(LEFT SIDE REMOVED FOR CLARITY)

ALL COMMERCIAL RIGHTS RESERVED FUSE PLAN NO. PAT4P01

PATRIOT

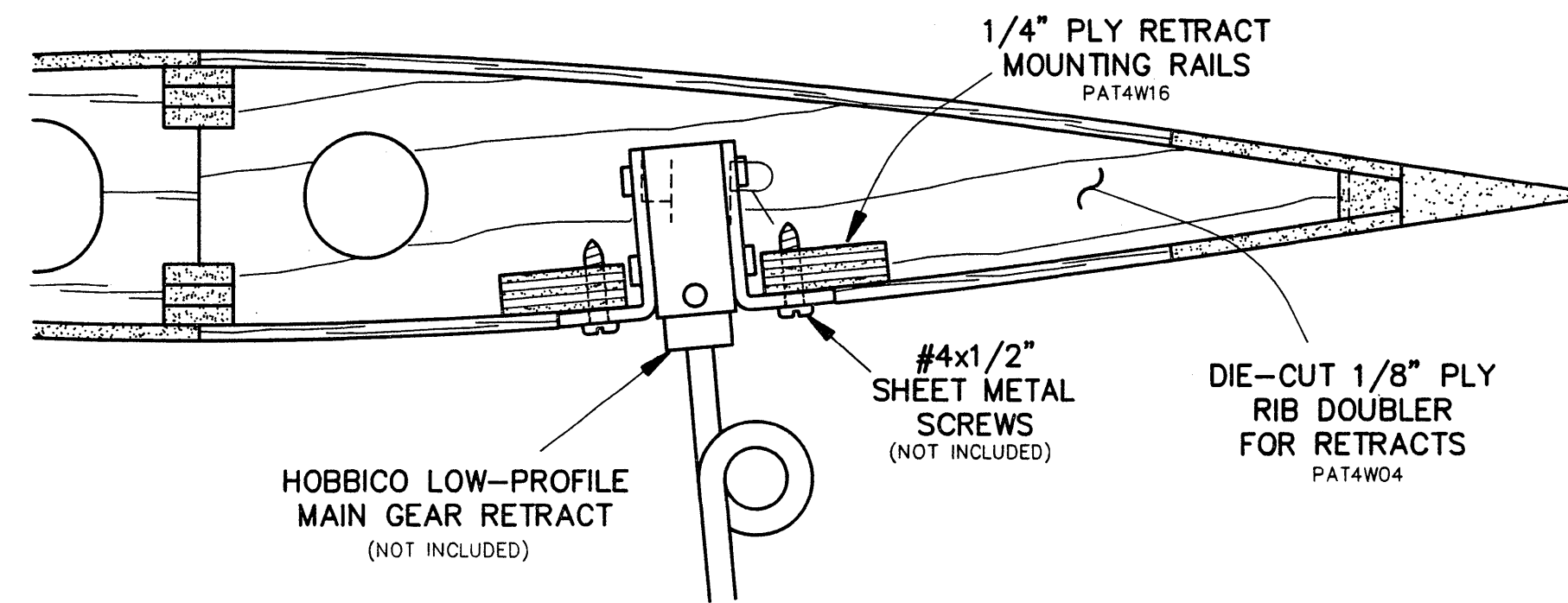
GREAT PLANES
MODEL MANUFACTURING CO. INC.
P.O. BOX 788 URBANA, IL 61801

DIHEDRAL DETAIL

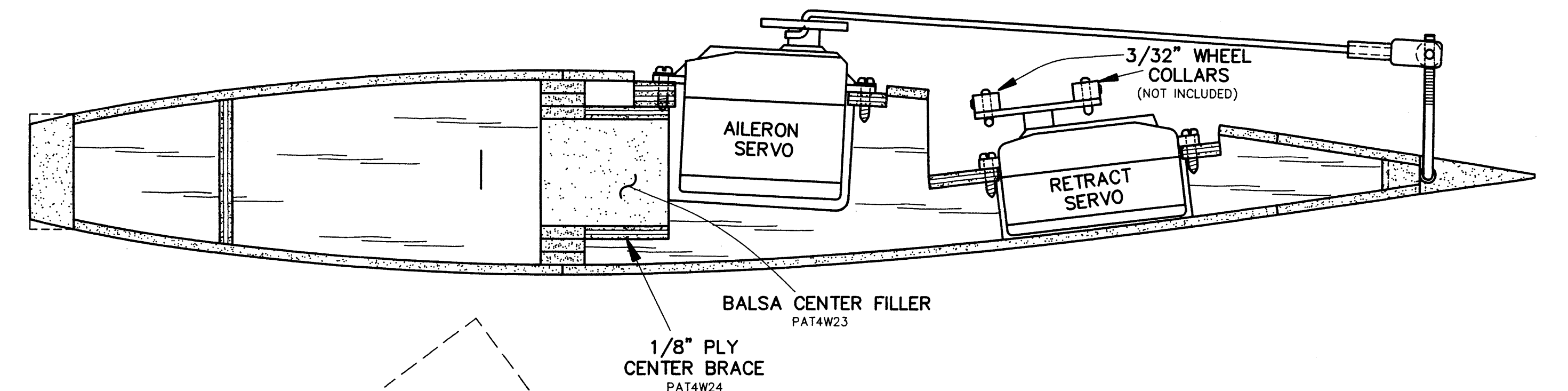


RETRACT INSTALLATION DETAIL

(RETRACTS ARE OPTIONAL)

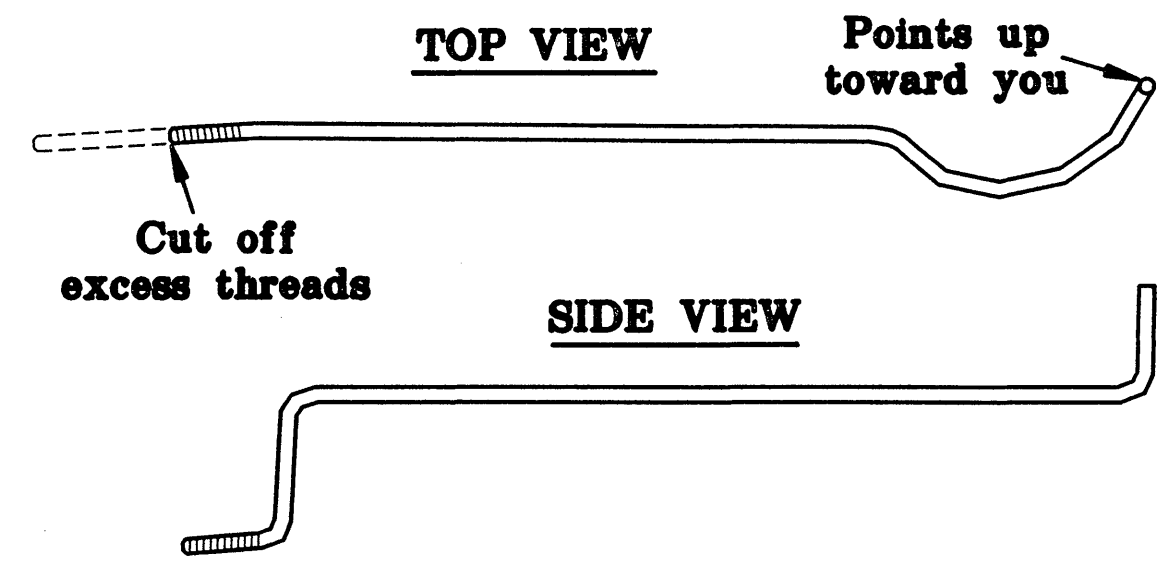


DETAIL AT WING CENTERLINE

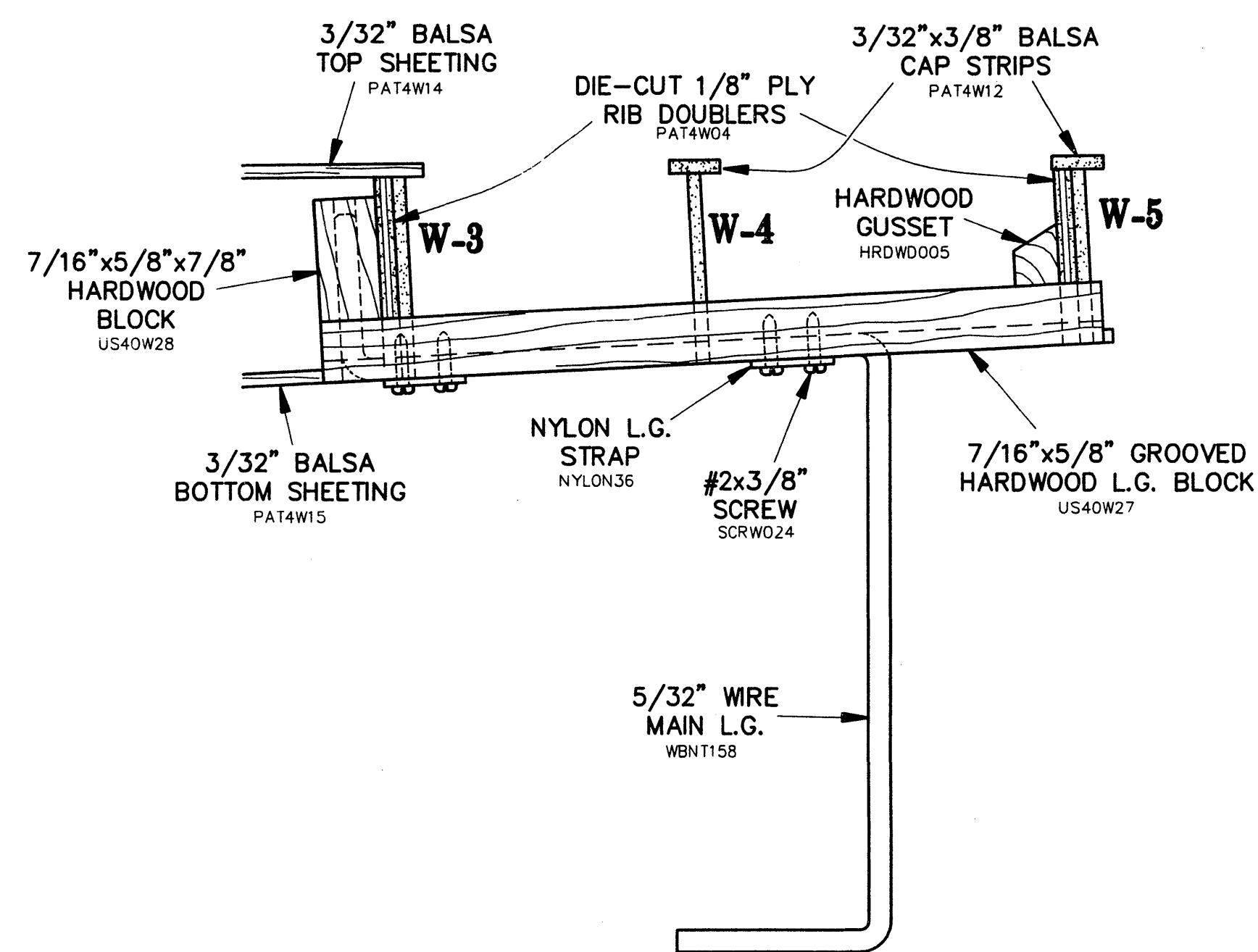


RETRACT PUSHRODS

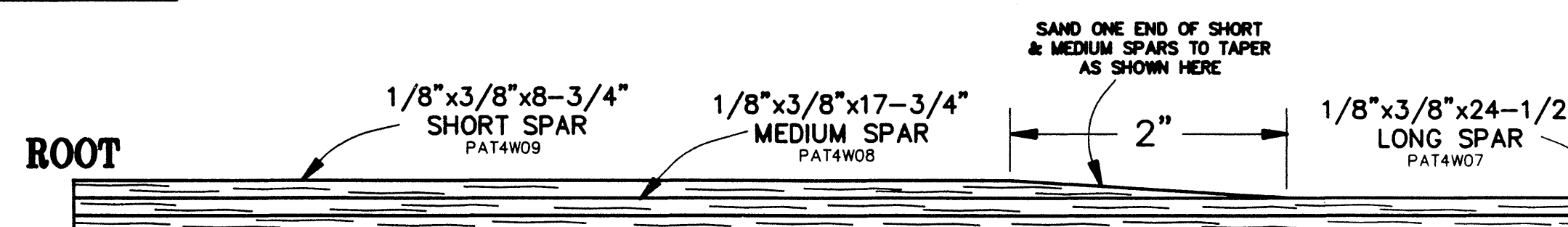
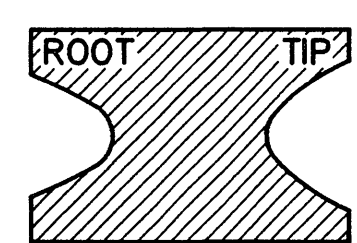
(MAKE 2 FOR OPTIONAL RETRACTS)



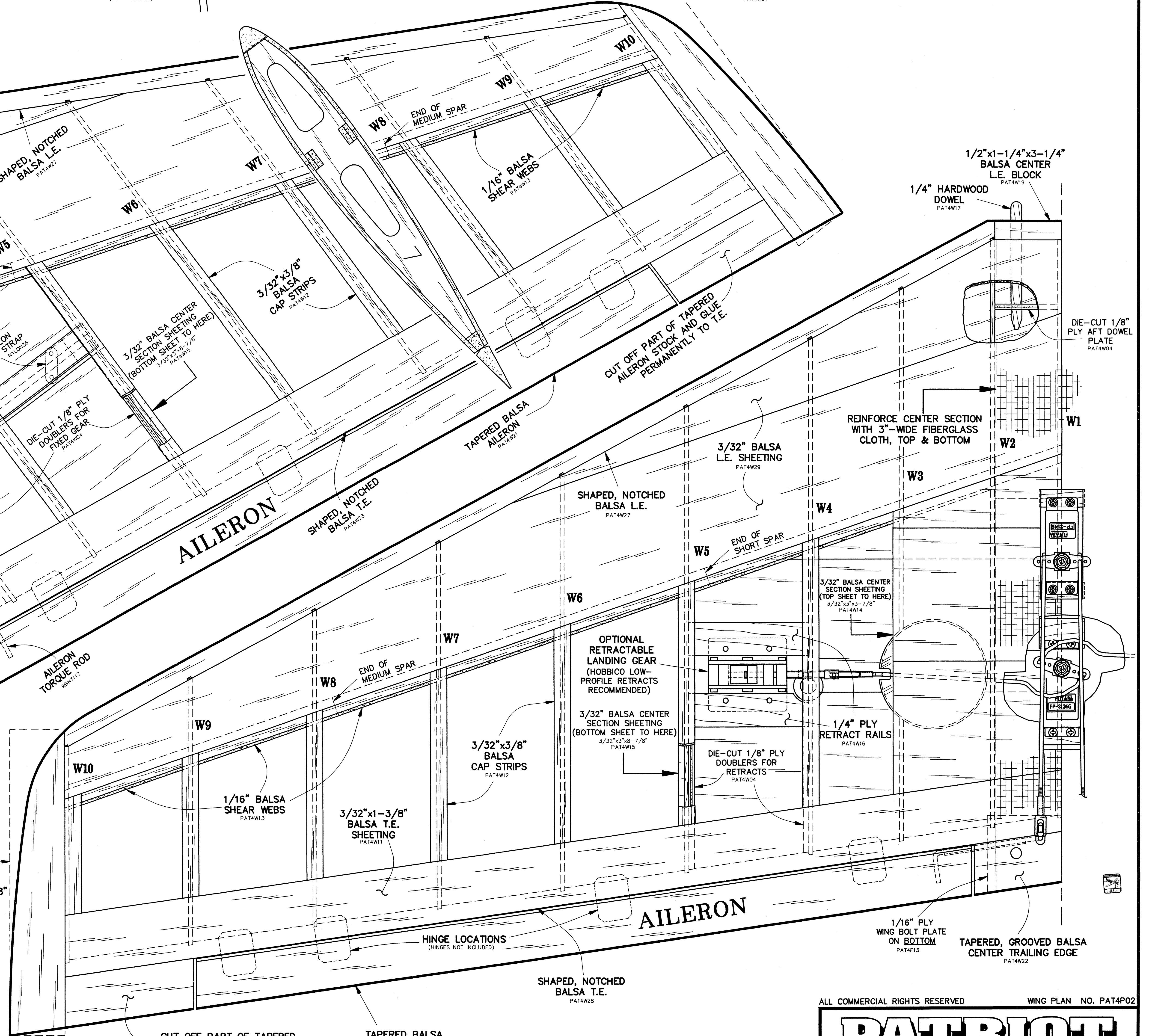
FIXED L.G. DETAIL



L.E. TEMPLATE



SPAR DETAIL



CUT OFF PART OF TAPERED AILERON STOCK AND GLUE PERMANENTLY TO T.E.

TAPERED Balsa AILERON

TIP

ALL COMMERCIAL RIGHTS RESERVED WING PLAN NO. PAT4P02

PATRIOT

GREAT PLANES
MODEL MANUFACTURING CO. INC.
P.O. BOX 788 URBANA, IL 61801