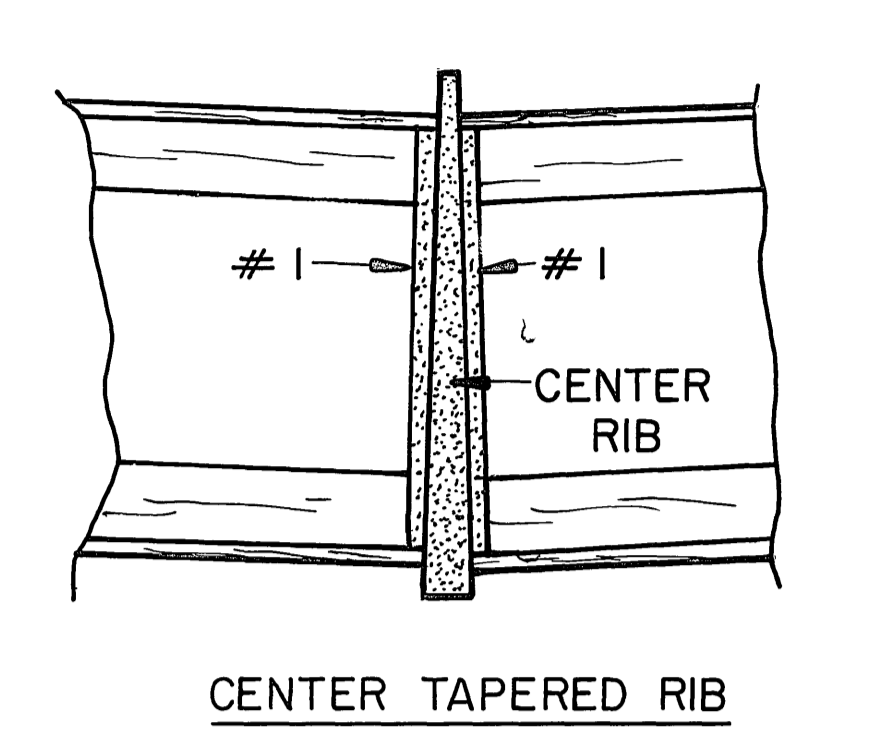
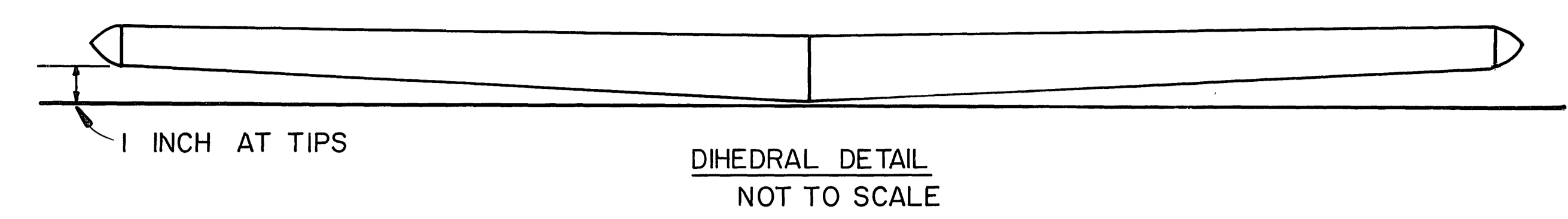
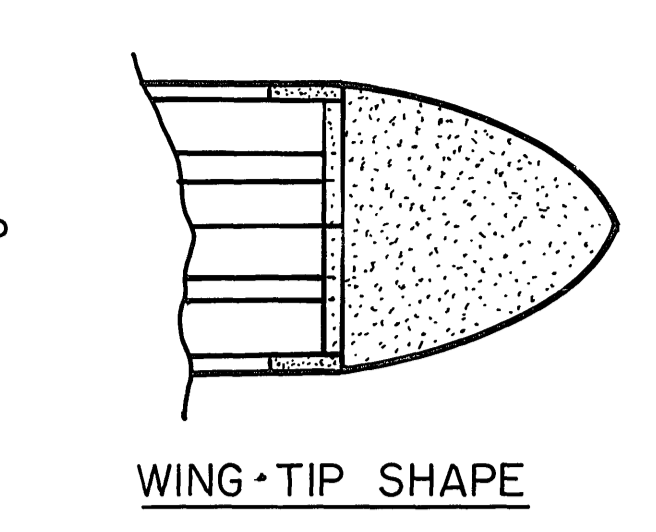
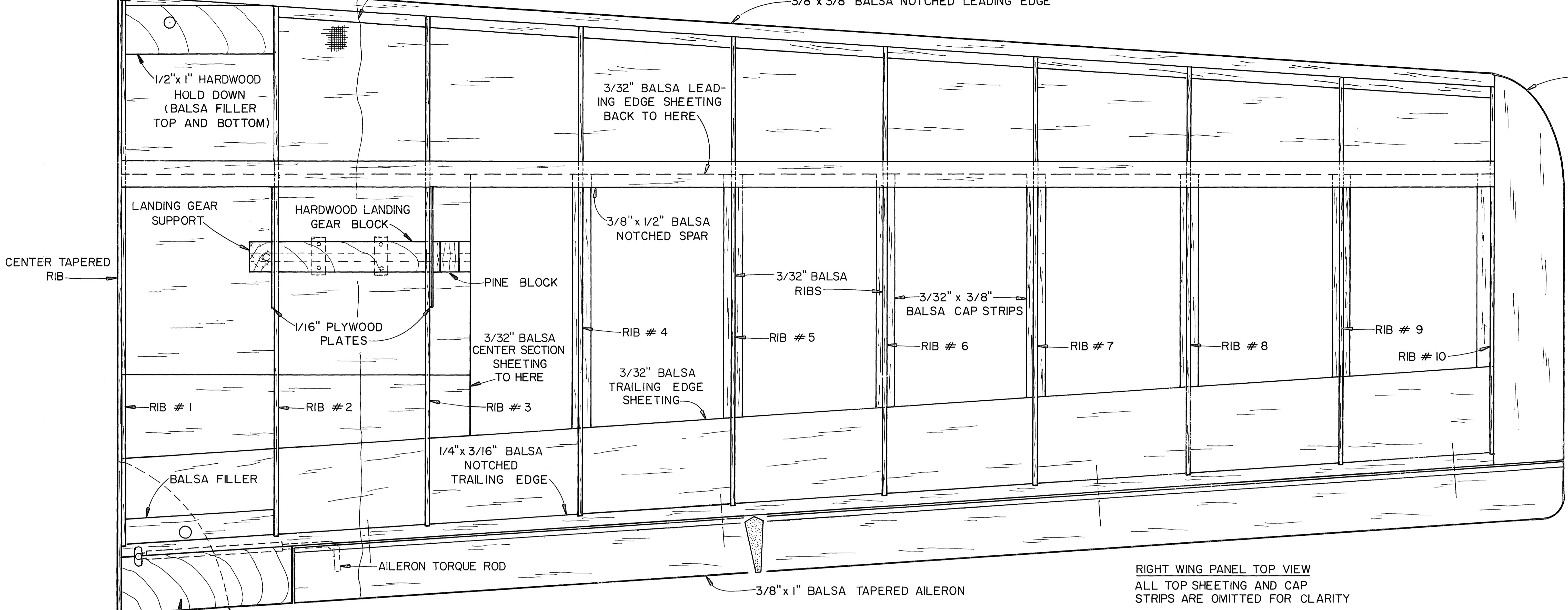
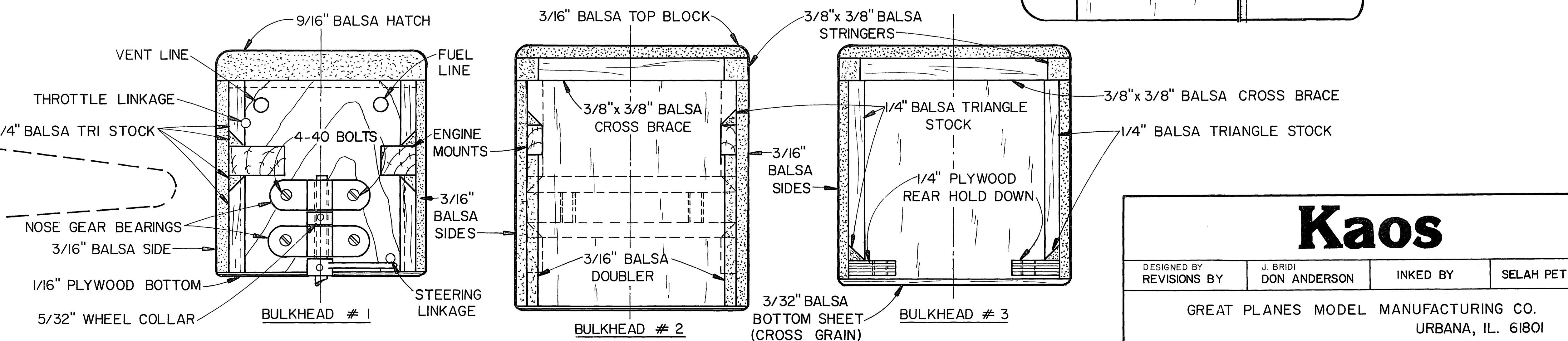
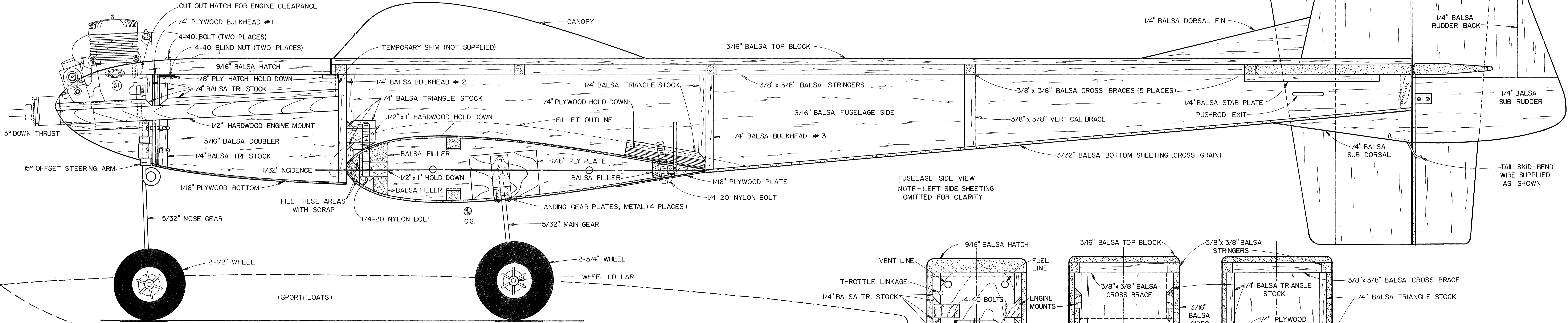
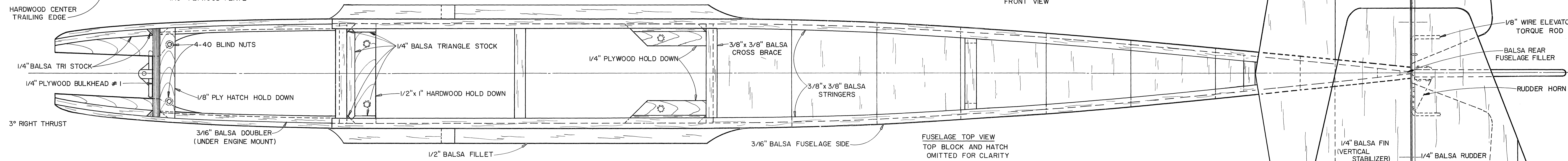
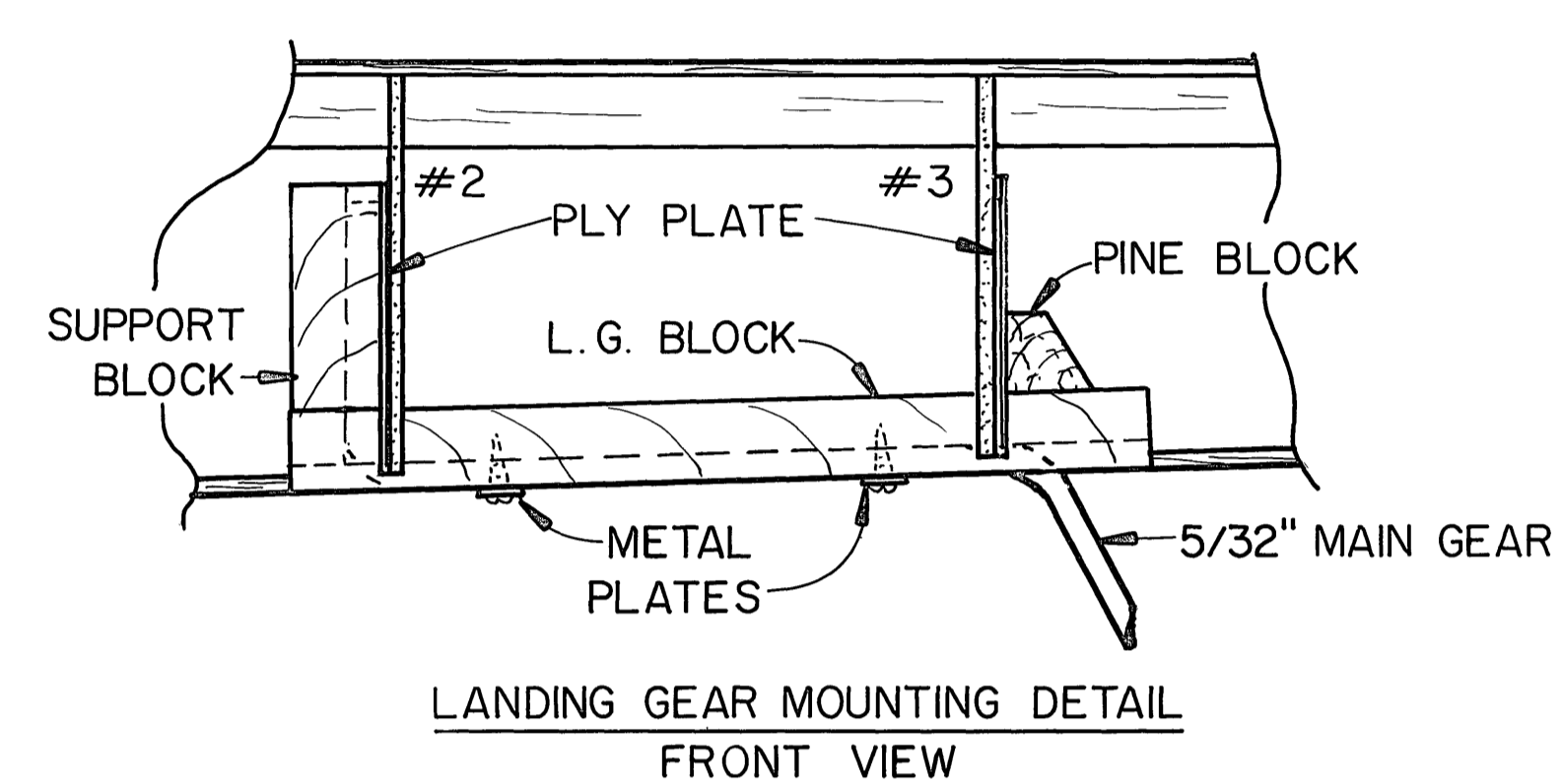


FILL THIS AREA WITH SCRAP



SPECIFICATIONS  
 WING SPAN 58"  
 WING AREA 644 SQ. IN.  
 LENGTH 53"  
 WEIGHT 6-1/4 LBS.  
 ENGINE .60

CONTROL SURFACE THROWS  
 AILERONS - 3/16" UP & DOWN  
 ELEVATOR - 3/8" UP & DOWN  
 RUDDER - 3/4" LEFT & RIGHT



**Kaos**

DESIGNED BY J. BRIDI  
 REVISIONS BY DON ANDERSON  
 INKED BY SELAH PETERSON  
 GREAT PLANES MODEL MANUFACTURING CO.  
 URBANA, IL. 61801

