

WING PLAN PLAN NO: CAP4P01

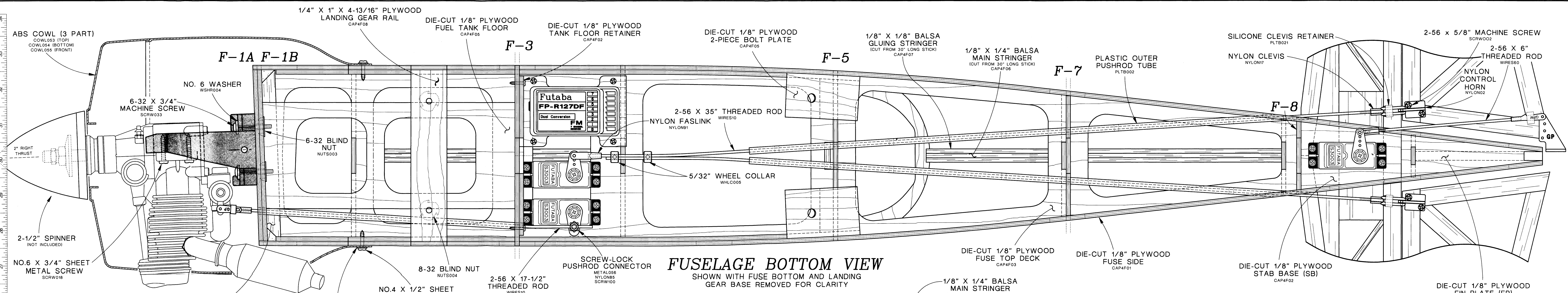
CAP 232

Aerobatic .40-Size Sport-Scale Kit

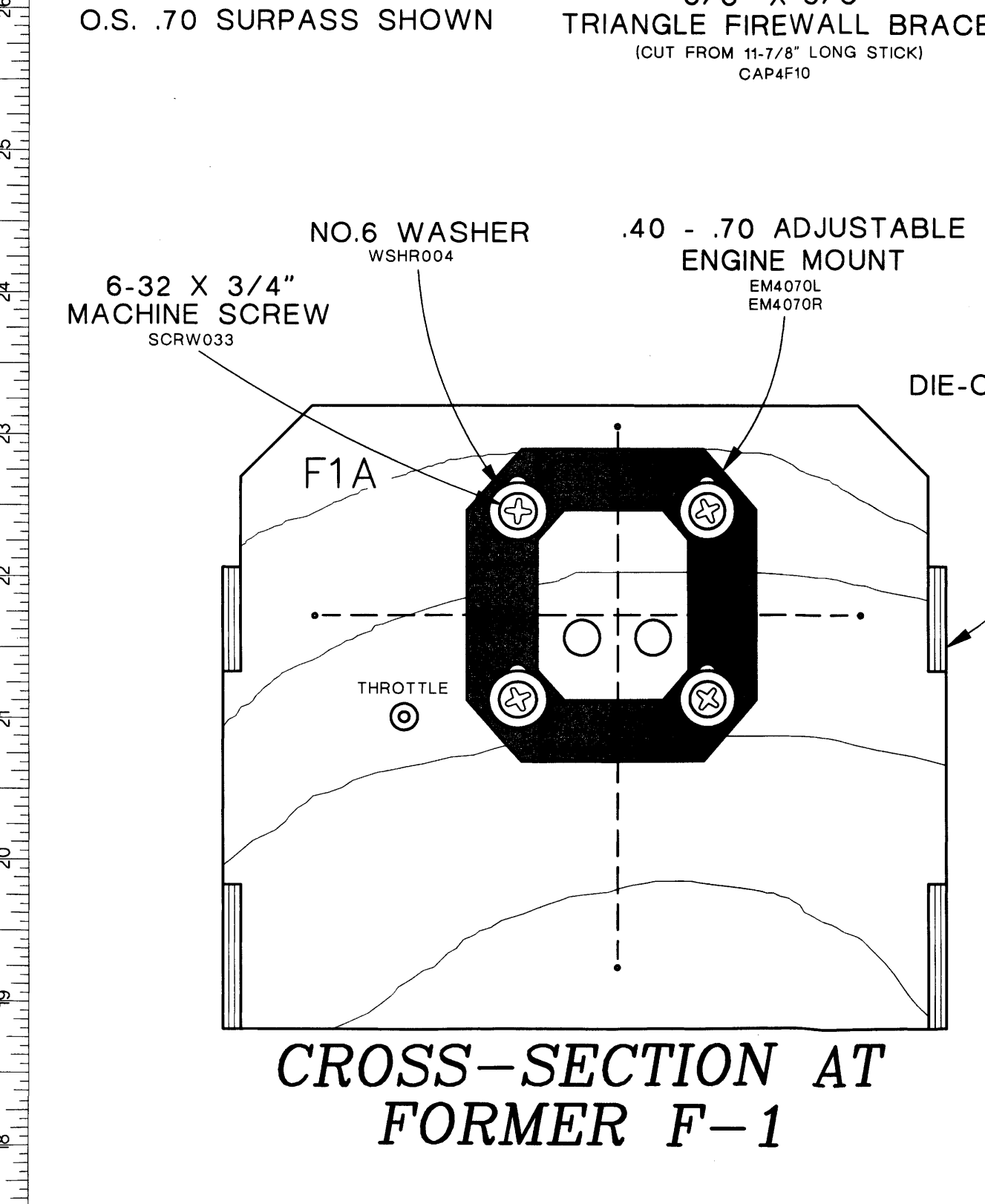
DESIGNED BY: MIKE CROSS
KIT ENGINEERING BY: MIKE CROSS AND MARK HAMPE
INSTRUCTIONS BY: MIKE CROSS
PLANS DRAWN BY: MARK HAMPE

GREAT PLANES
MODEL MANUFACTURING COMPANY

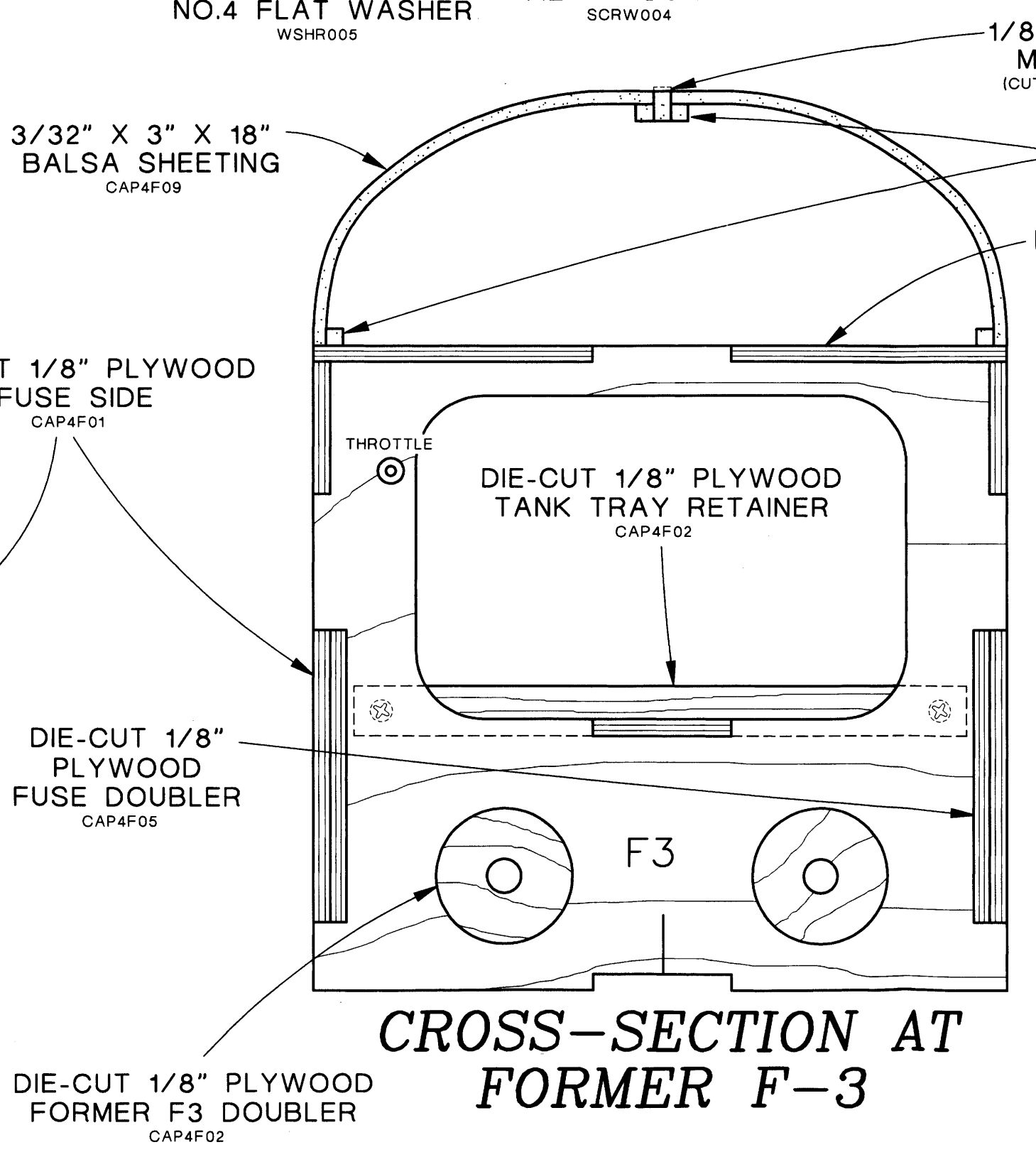
QUESTIONS??
e-mail us at productsupport@greatplanes.com or call (217)398-8970
Visit our Web Site at www.greatplanes.com



FUSELAGE BOTTOM VIEW
SHOWN WITH FUSE BOTTOM AND LANDING GEAR BASE REMOVED FOR CLARITY



CROSS-SECTION AT FORMER F-1



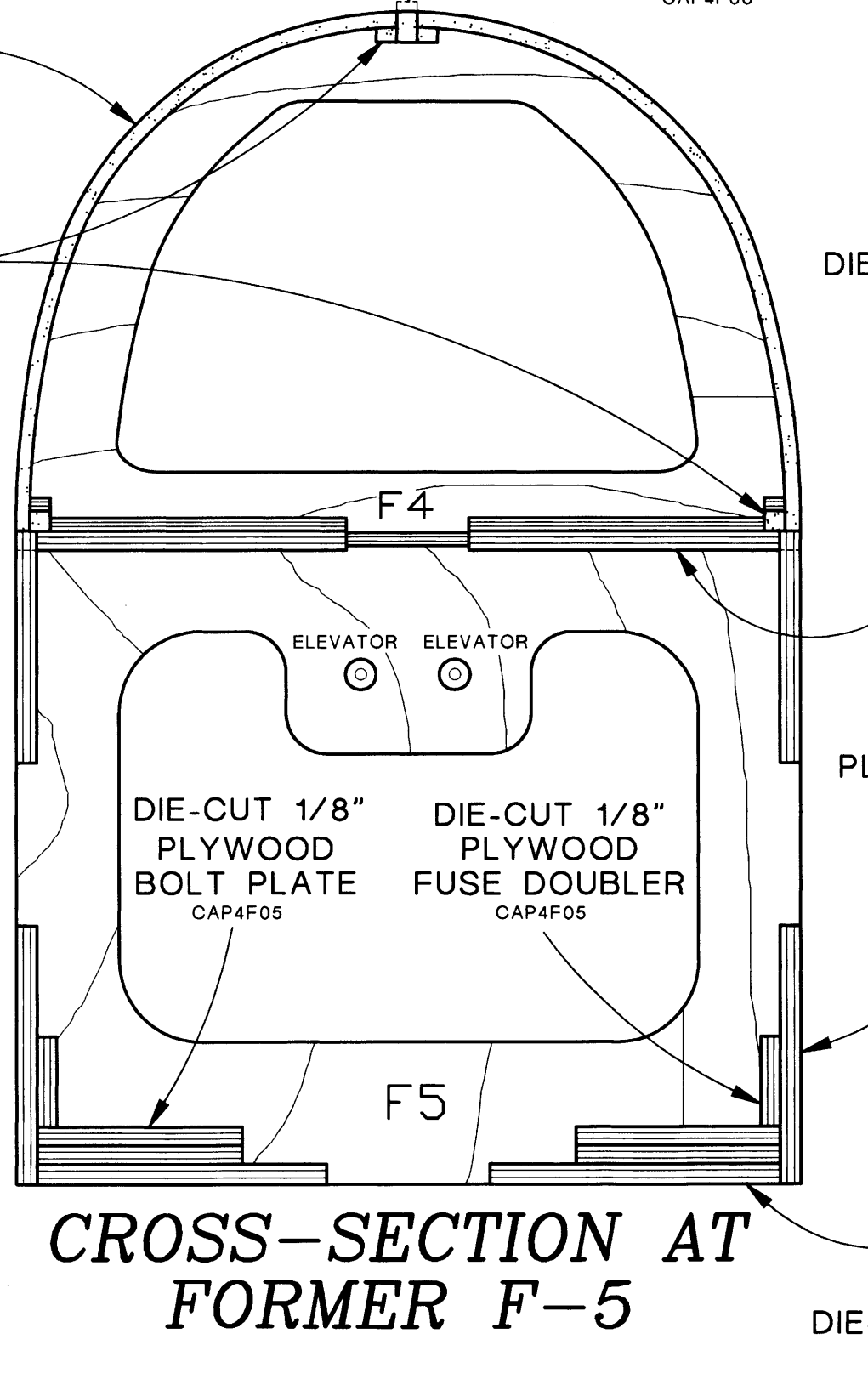
CROSS-SECTION AT FORMER F-3

ALL CROSS-SECTIONS ARE VIEWED FROM THE FRONT

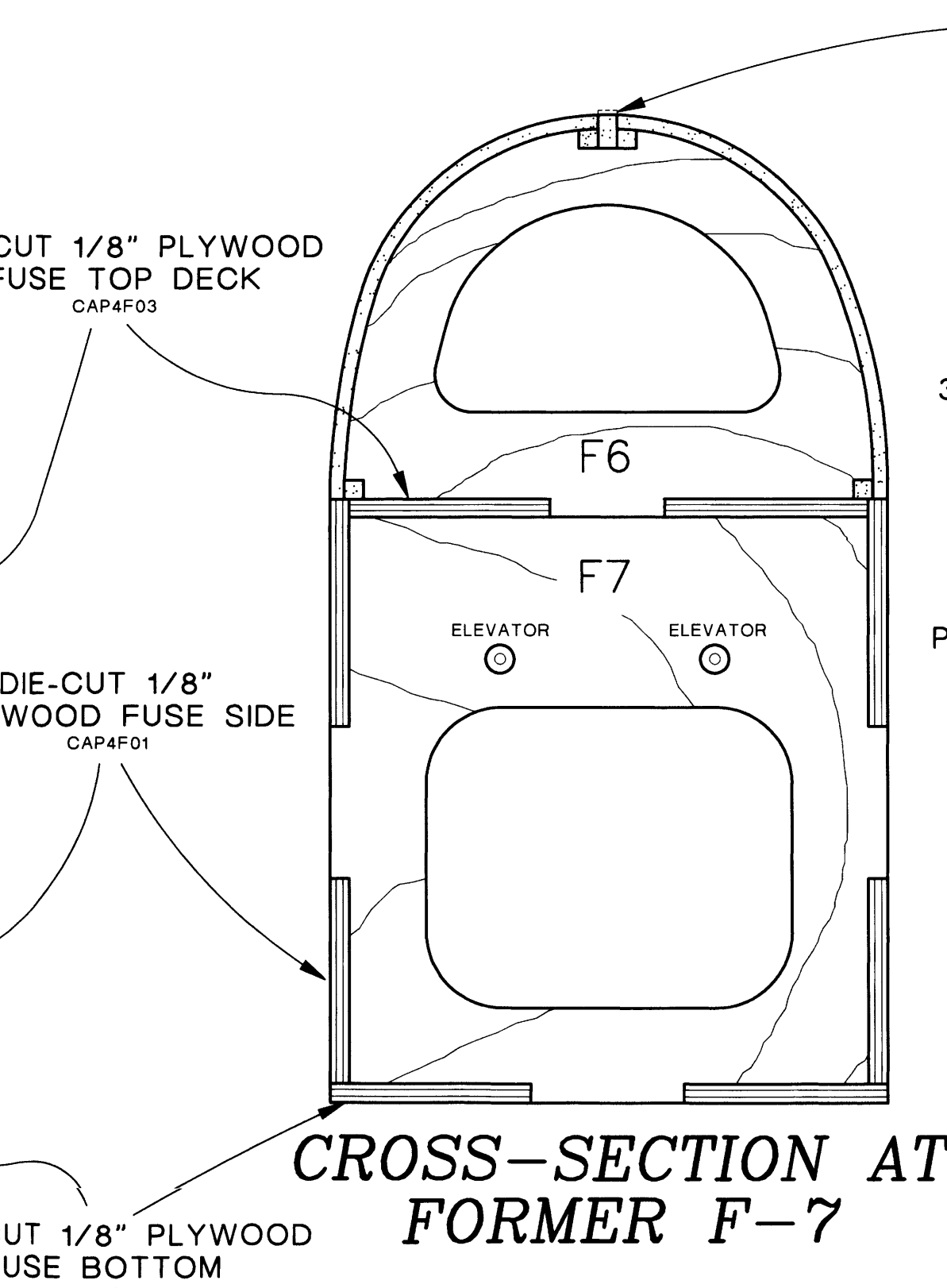
DESIGNED BY: MICHAEL CROSS
KIT ENGINEERING BY: MICHAEL CROSS AND MARK HAMPE
INSTRUCTIONS BY: MICHAEL CROSS
DRAWN BY: MARK HAMPE

GREAT PLANES
MODEL MANUFACTURING COMPANY

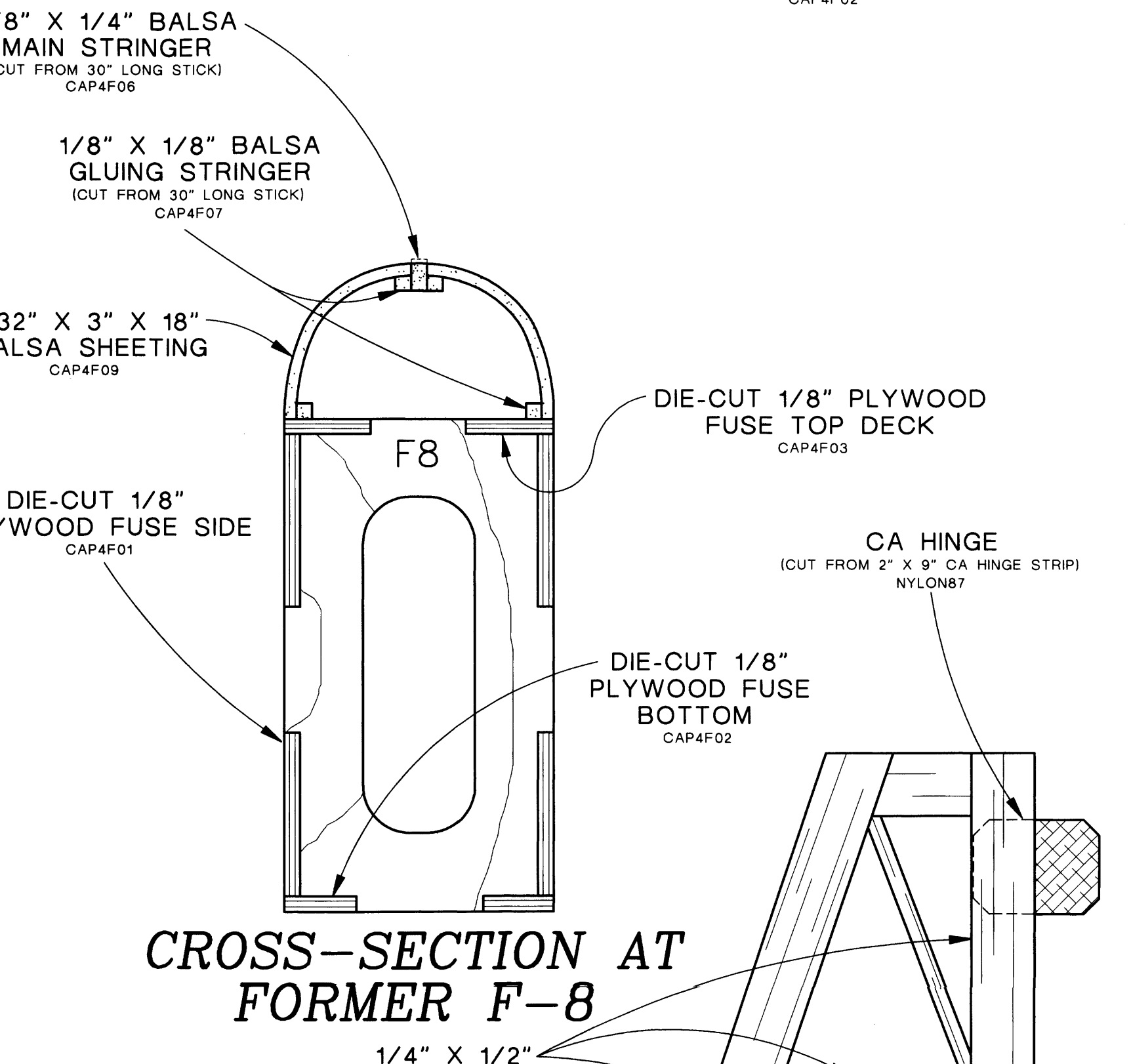
© 1998 P.O. Box 788 Urbana, Illinois 61801 (217) 398-8970



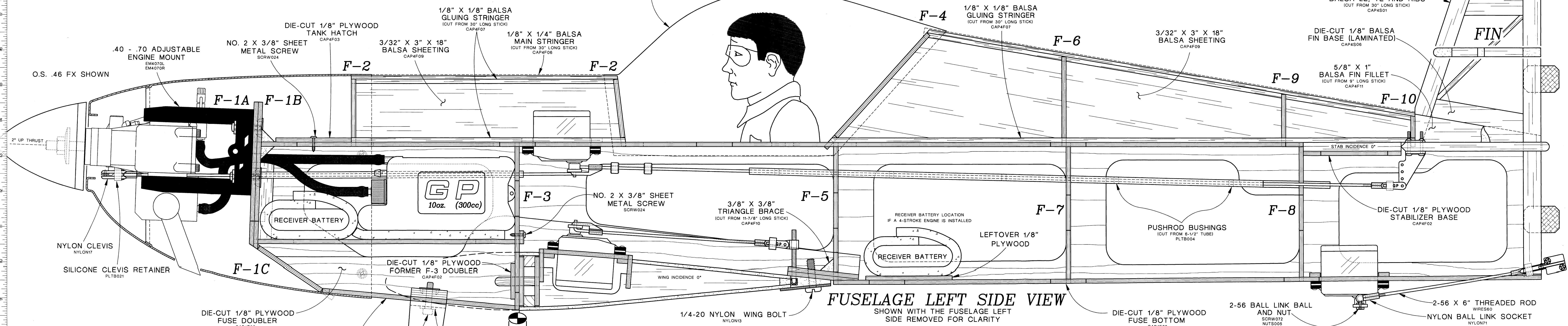
CROSS-SECTION AT FORMER F-5



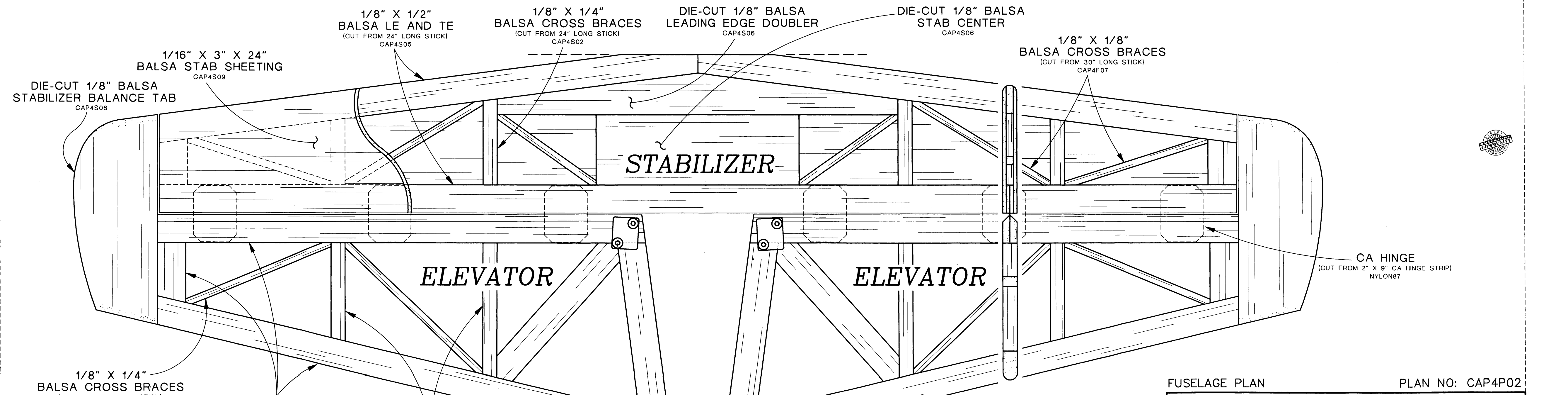
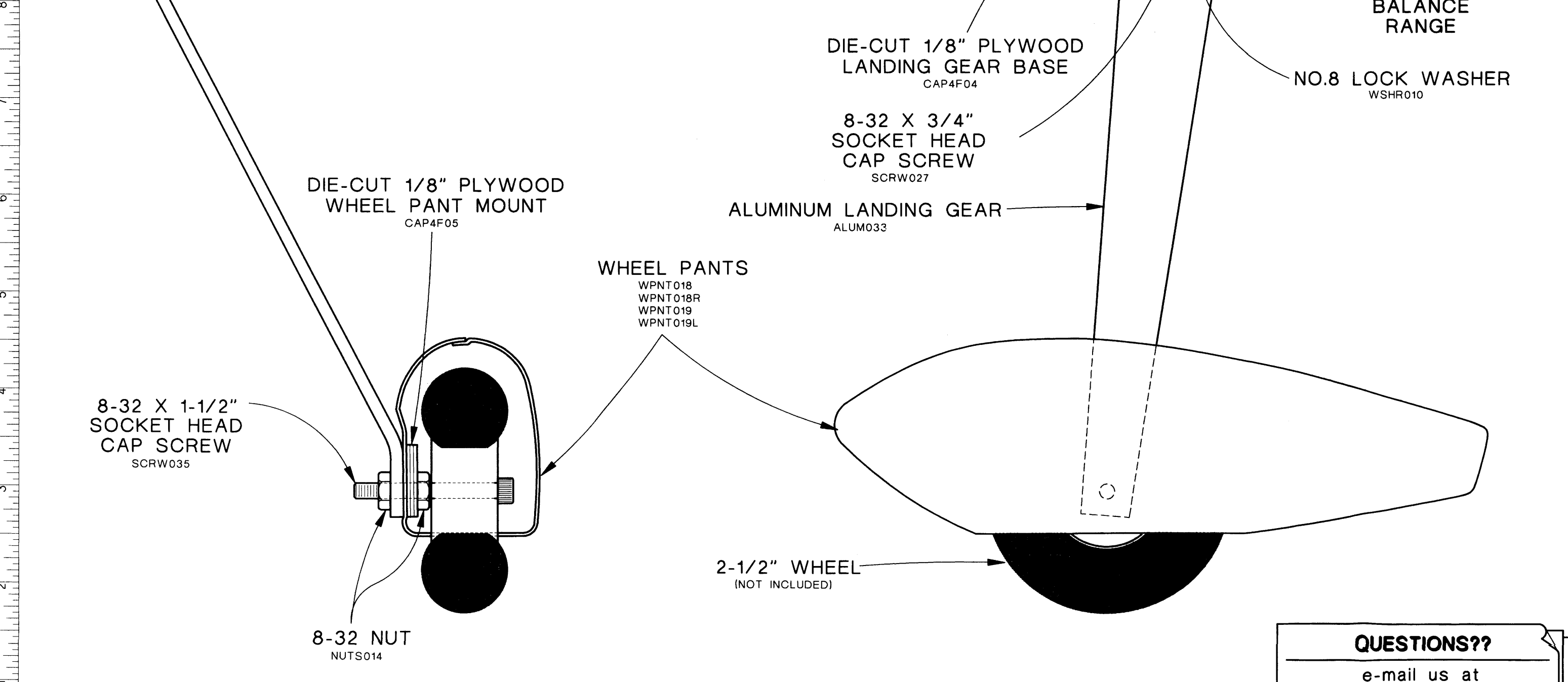
CROSS-SECTION AT FORMER F-7



CROSS-SECTION AT FORMER F-8



FUSELAGE LEFT SIDE VIEW
SHOWN WITH THE FUSELAGE LEFT SIDE REMOVED FOR CLARITY



QUESTIONS??
e-mail us at productsupport@greatplanes.com
or call (217)398-8970
Visit our Web Site at www.greatplanes.com