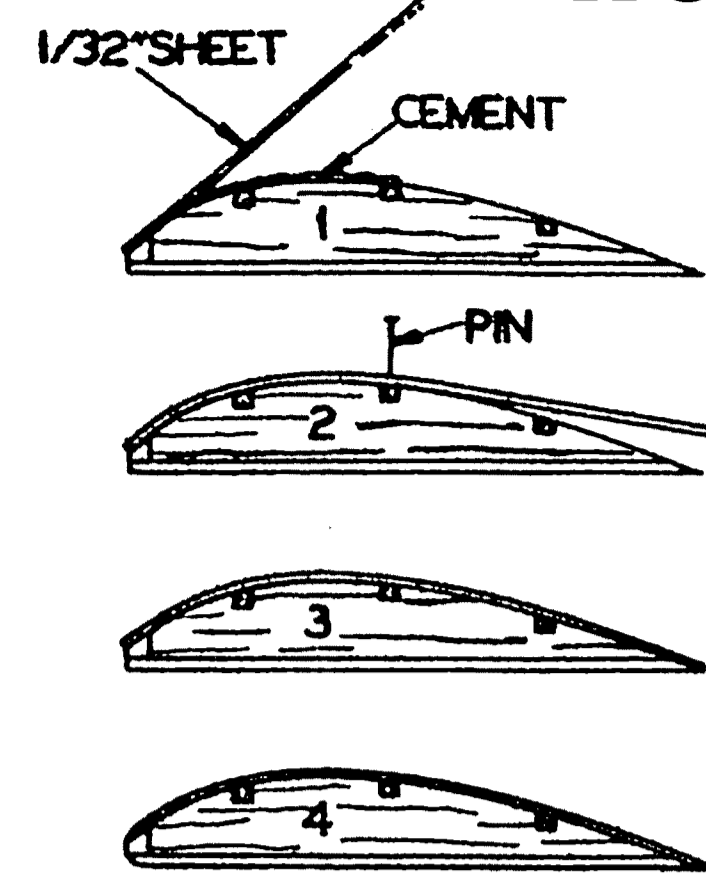


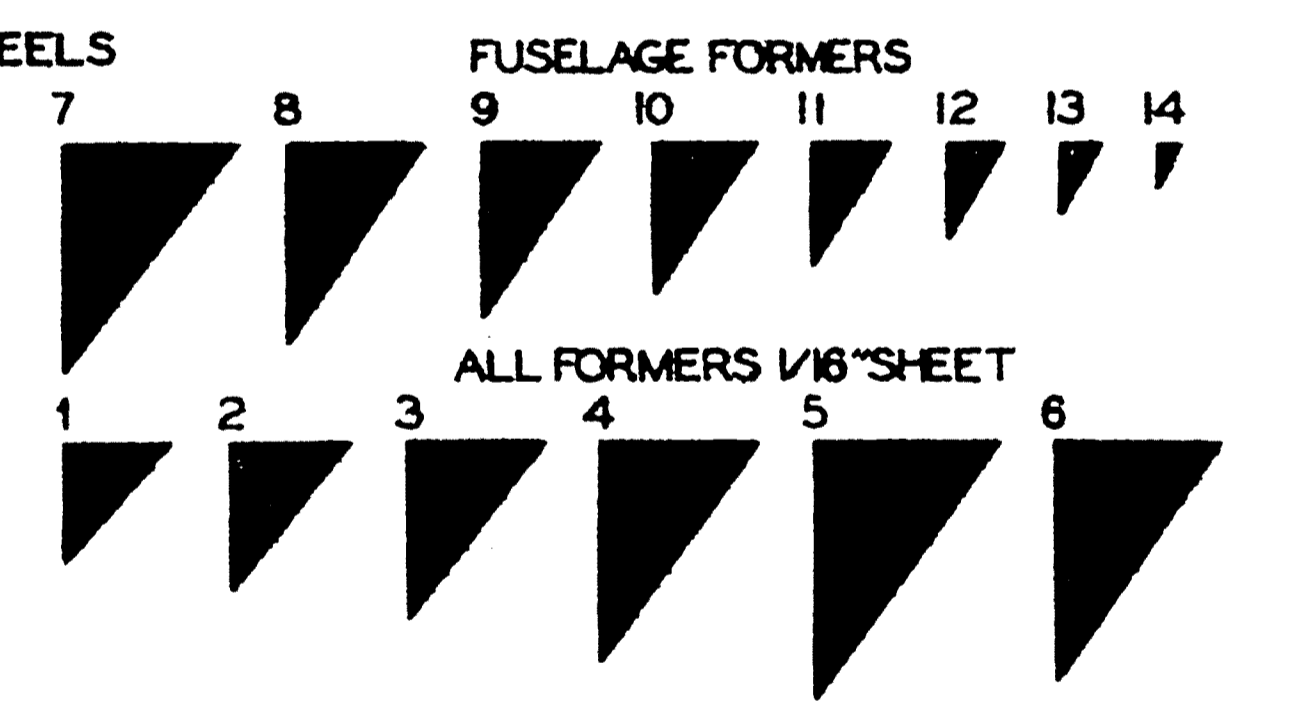
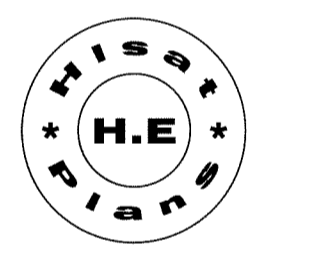
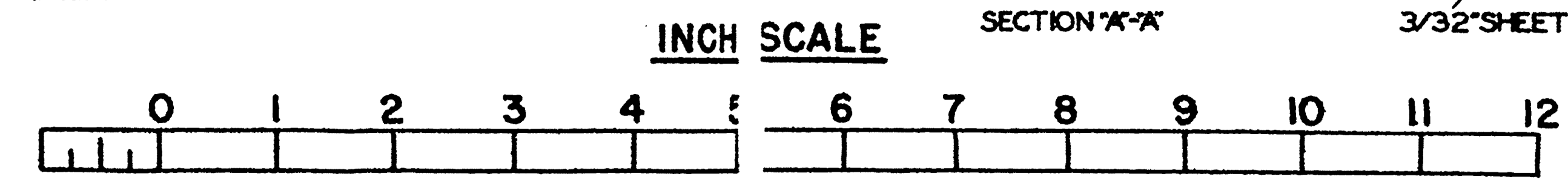
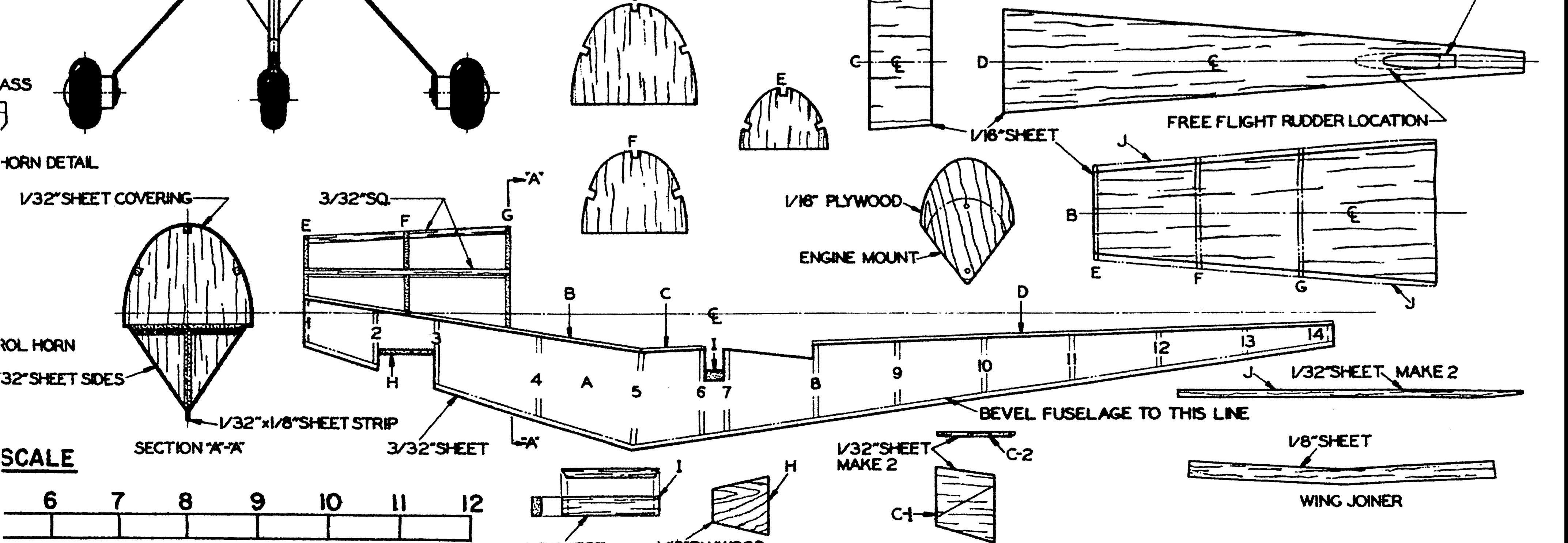
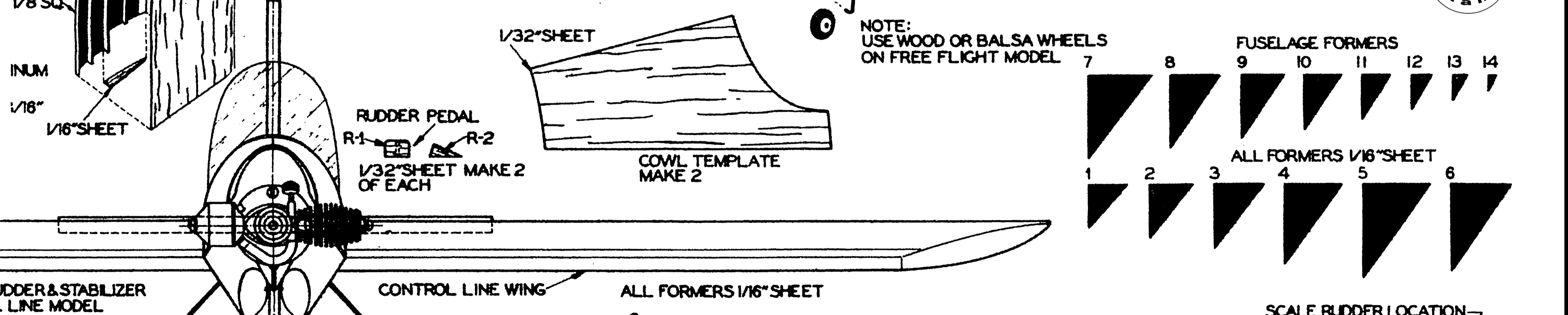
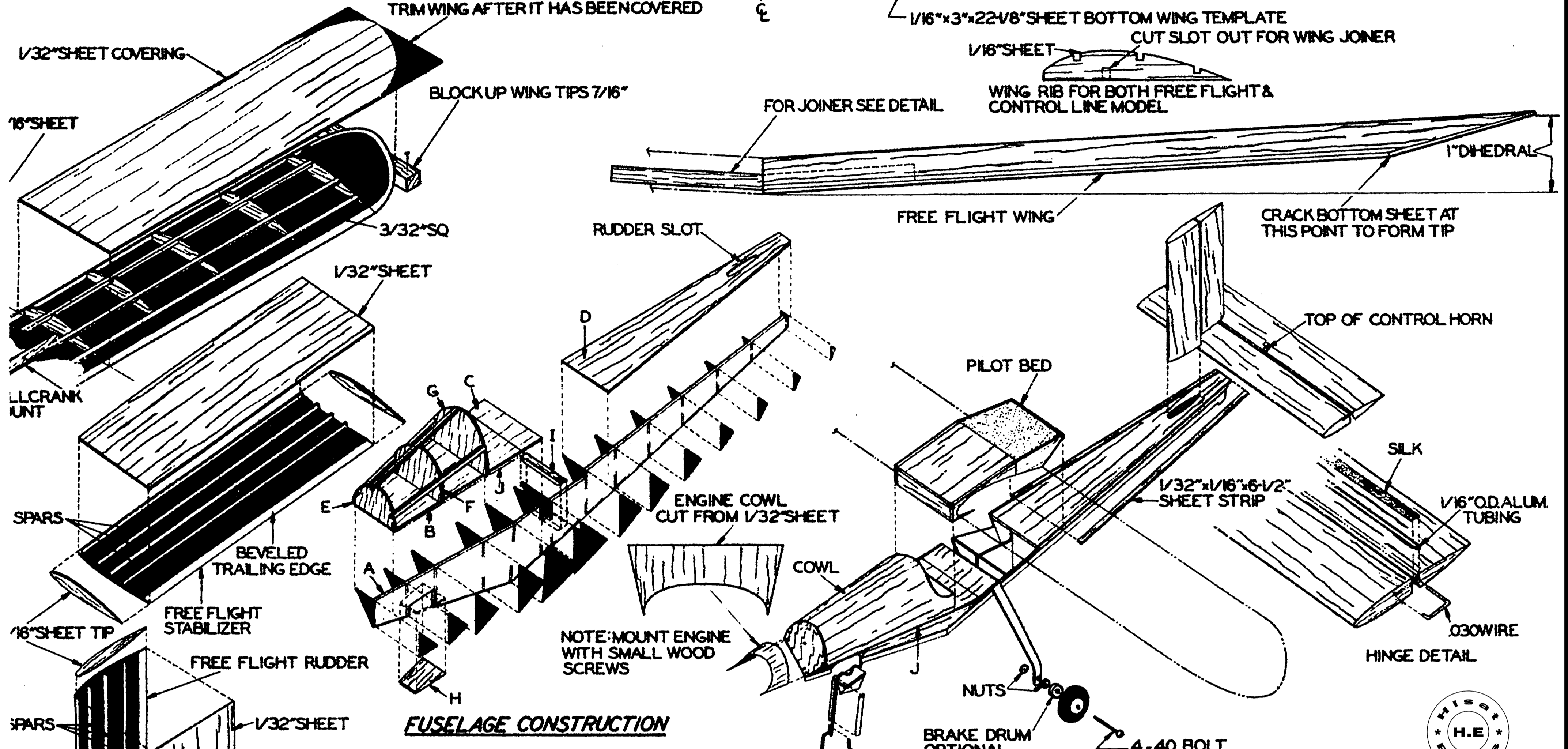
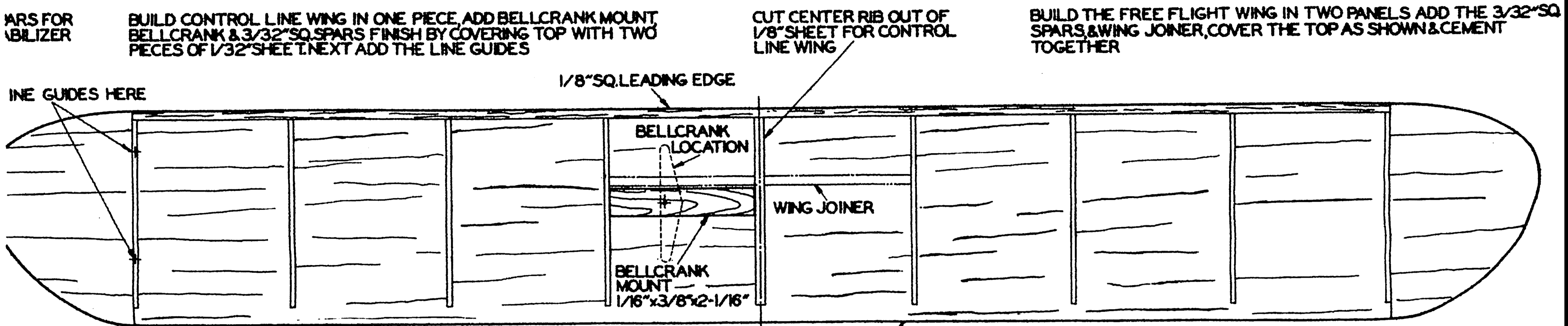
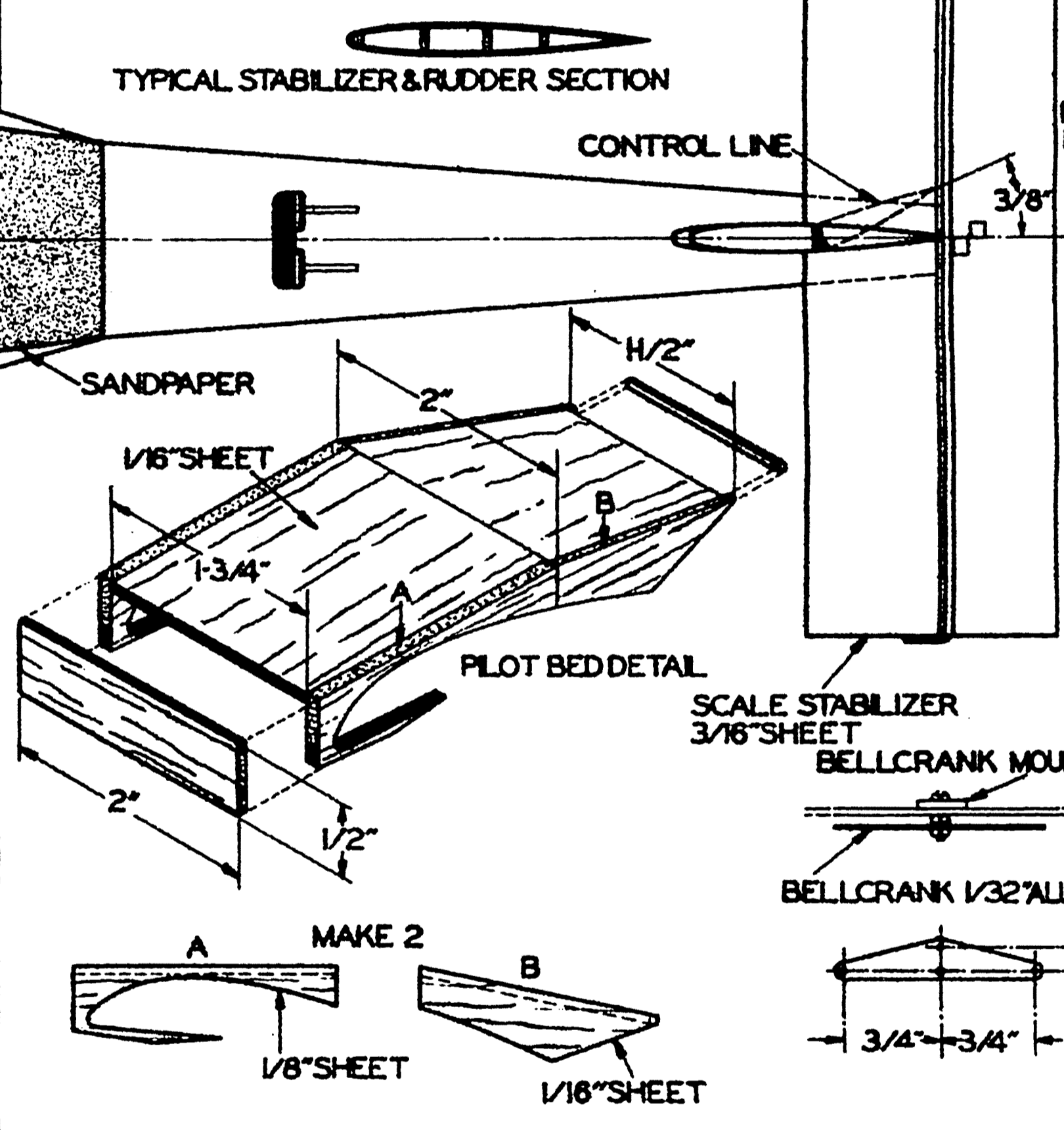
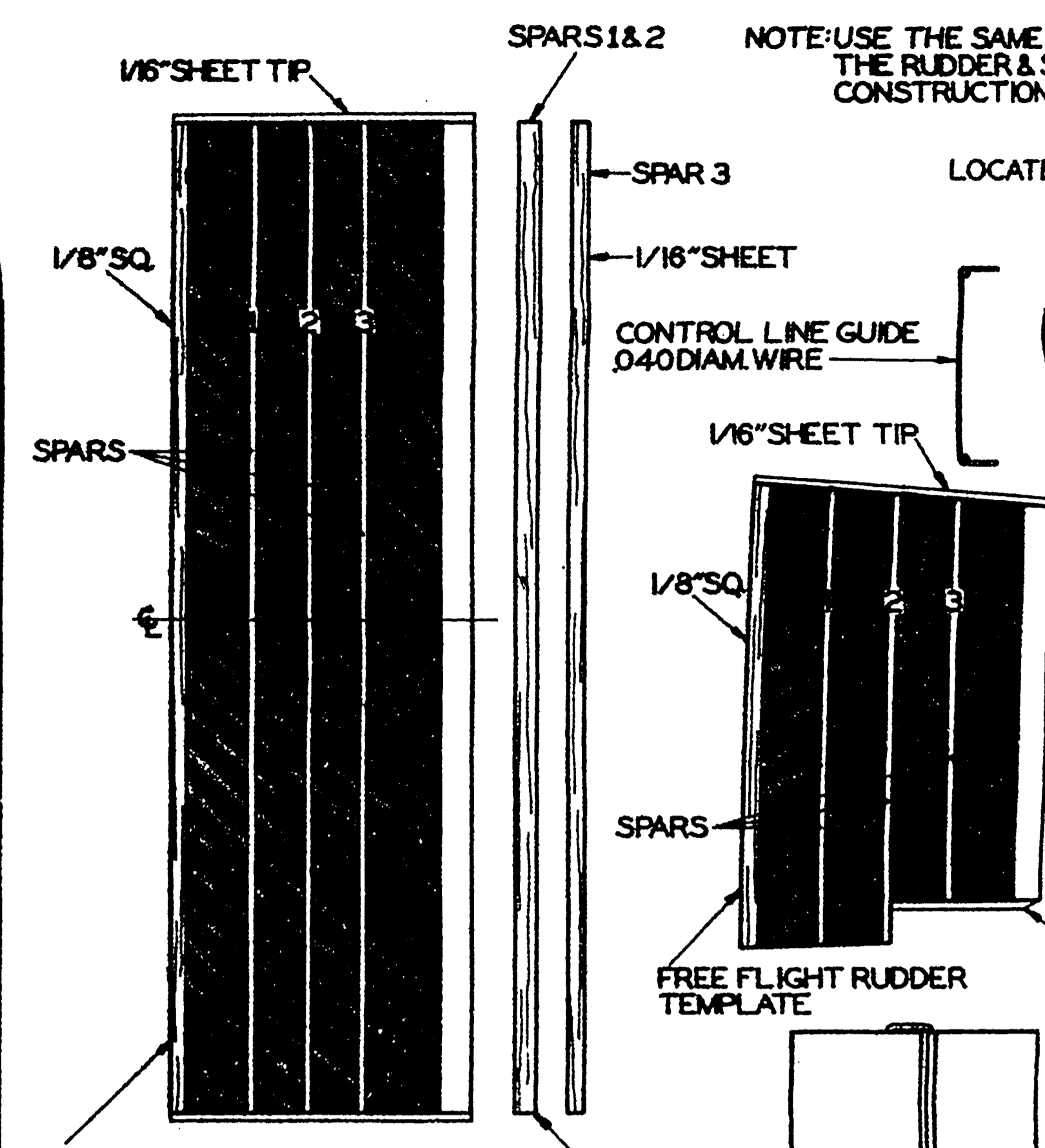
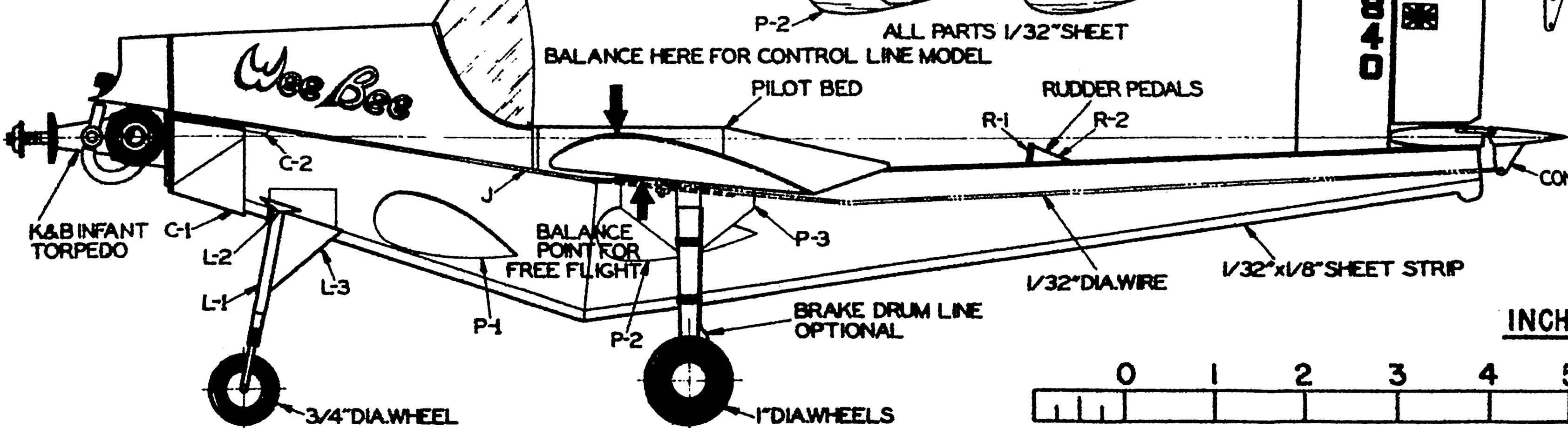
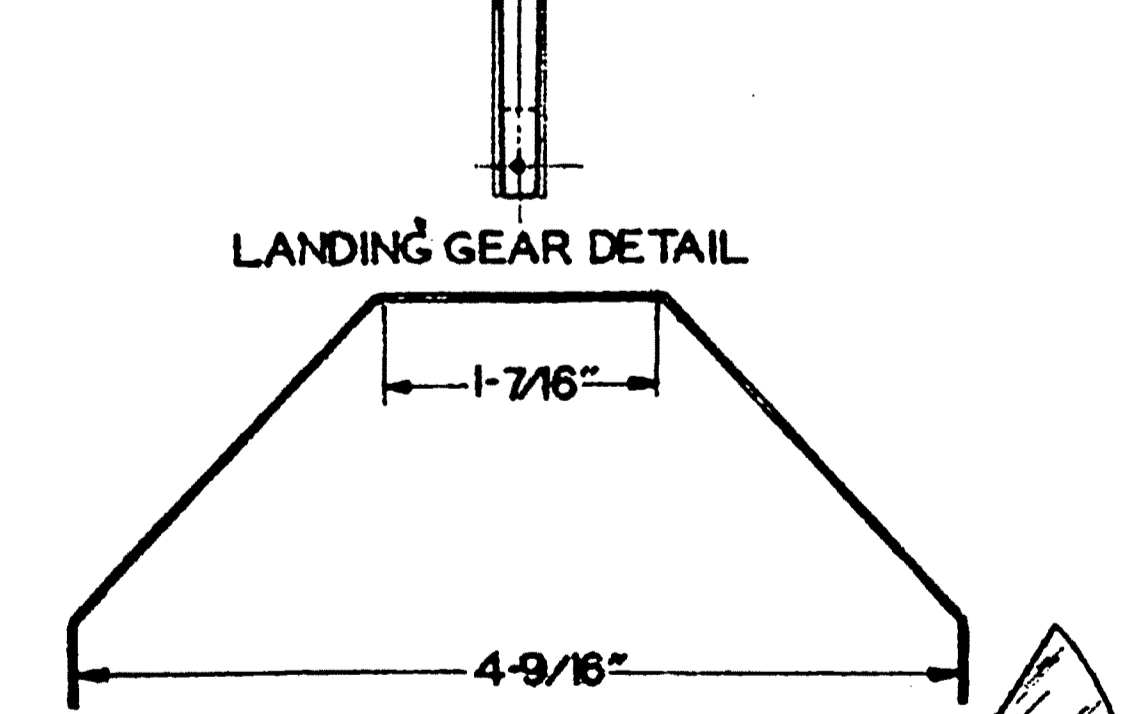
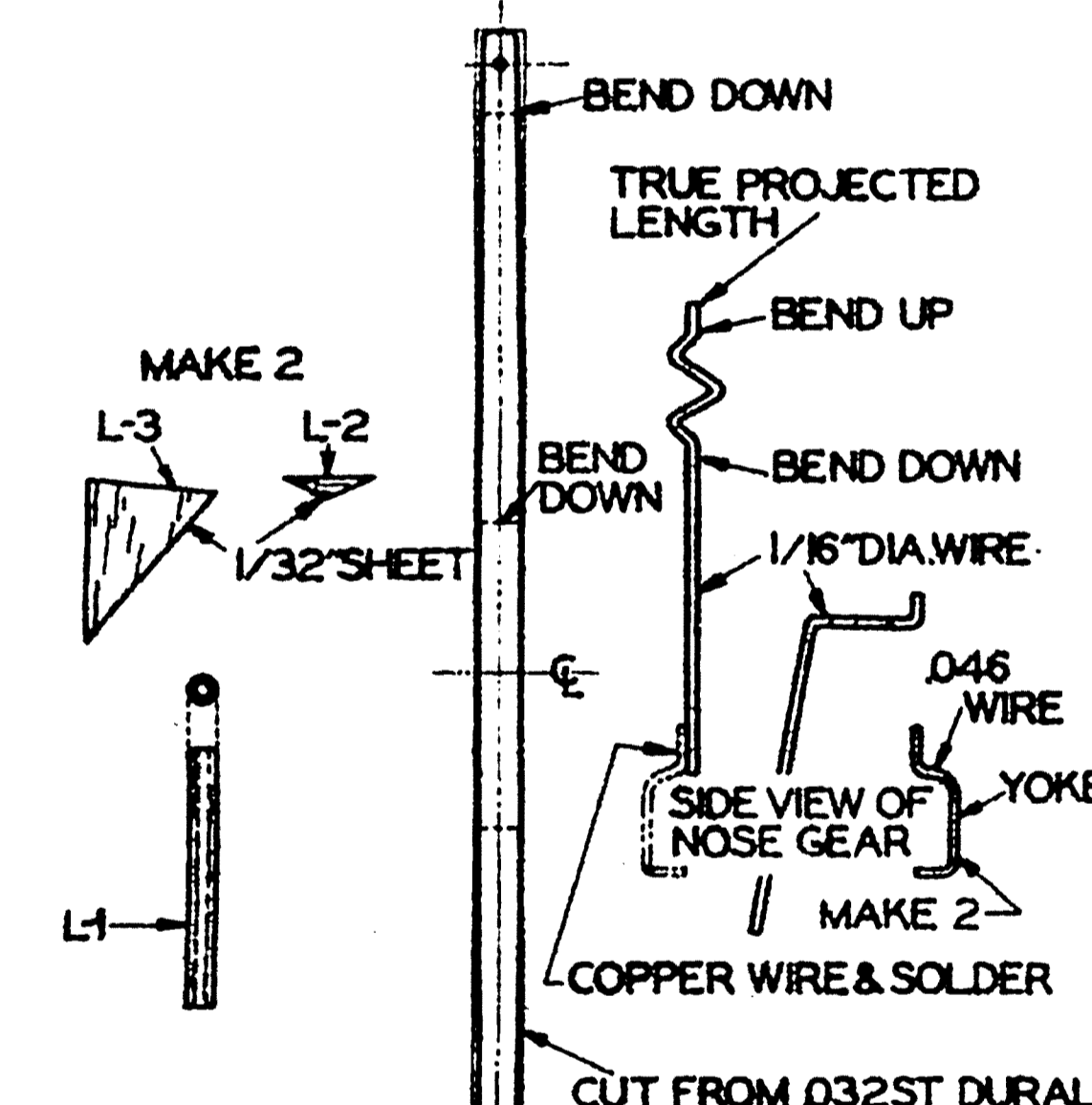
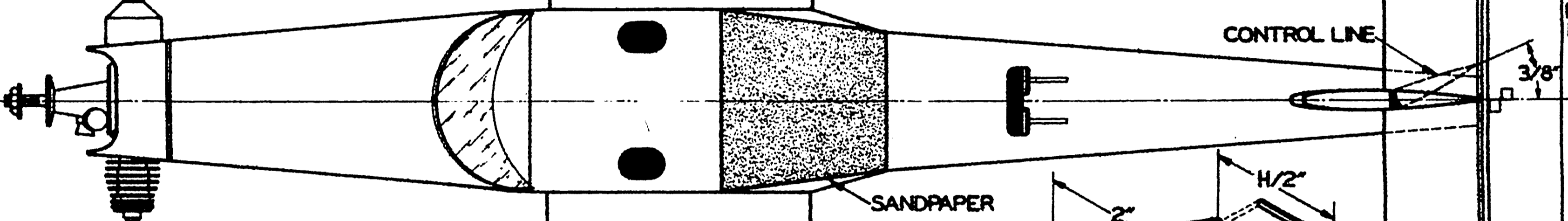
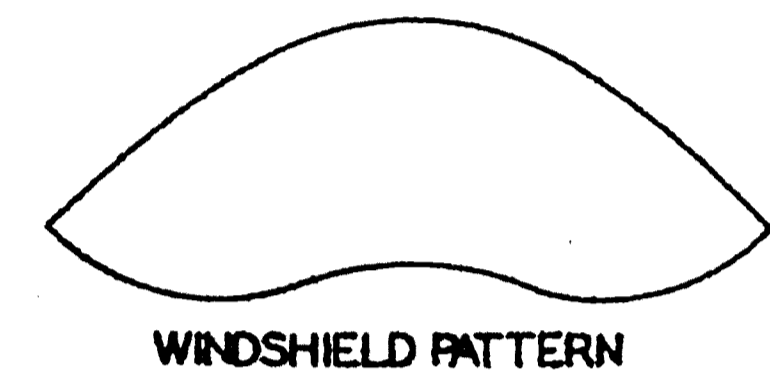
# Wee Bee

# NX90840

# NX90840



- 1 ATTACH SHEET AT LEADING EDGE, ADD CEMENT TO EACH RIB BACK TO THE SECOND SPAR
- 2 BEND SHEET BACK TO THIS POINT, PIN DOWN TO DRY
- 3 REPEAT PROCESS TO TRAILING EDGE
- 4 FINISH BY SANDING



NOTE: USE WOOD OR Balsa WHEELS ON FREE FLIGHT MODEL

NOTE: COLOR-ENTIRE AIRPLANE ALUM. NUMBERS & DETAILS BLACK, THE NAME WEE BEE, RED TRIMMED WITH BLACK

NOTE: USE SCALE FOR CONTR. R. & STABILIZER LINE MODEL

CUT CENTER RIB OUT OF 1/8" SHEET FOR CONTROL LINE WING

BUILD THE FREE FLIGHT WING IN TWO PANELS ADD THE 3/32" SQ SPARS & WING JOINER, COVER THE TOP AS SHOWN & CEMENT TOGETHER

NOTE: USE THE SAME SPARS FOR THE RUDDER & STABILIZER CONSTRUCTION

BUILD CONTROL LINE WING IN ONE PIECE, ADD BELLCRANK MOUNT, BELLCRANK & 3/32" SQ SPARS FINISH BY COVERING TOP WITH TWO PIECES OF 1/32" SHEET. NEXT ADD THE LINE GUIDES

LOCATE LINE GUIDES HERE

1/8" SQ LEADING EDGE

BELLCRANK LOCATION

BELLCRANK MOUNT 1/16" x 3/8" x 2-1/16"

1/16" x 3" x 22 1/8" SHEET BOTTOM WING TEMPLATE CUT SLOT OUT FOR WING JOINER

WING RIB FOR BOTH FREE FLIGHT & CONTROL LINE MODEL

CRACK BOTTOM SHEET AT THIS POINT TO FORM TIP

TOP OF CONTROL HORN

FREE FLIGHT WING

PILOT BED

1/32" x 1/16" x 1/2" SHEET STRIP

1/16" O.D. ALUM. TUBING

HINGE DETAIL

NOTE: MOUNT ENGINE WITH SMALL WOOD SCREWS

BRAKE DRUM OPTIONAL

4-40 BOLT

## FUSELAGE CONSTRUCTION

SCALE RUDDER LOCATION

FREE FLIGHT RUDDER LOCATION

ENGINE MOUNT

BEVEL FUSELAGE TO THIS LINE

WING JOINER

INCH SCALE