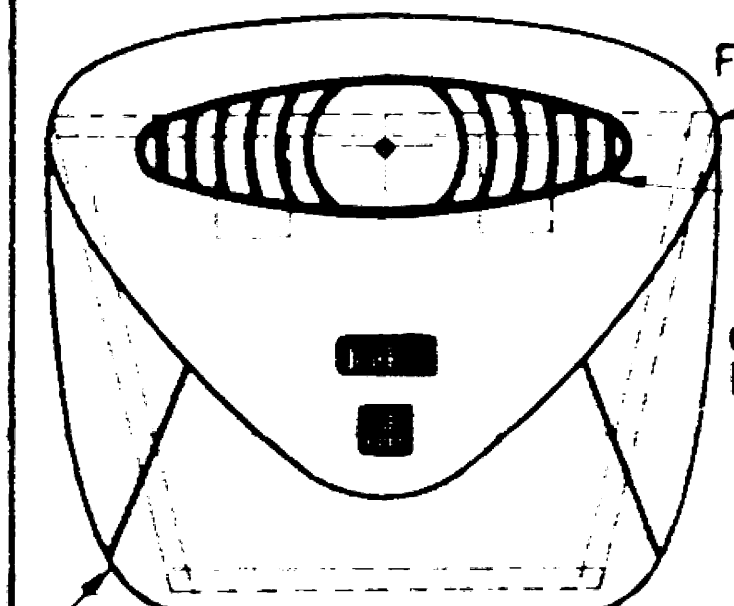


1/8" SHEET WING TIPS  
 RUDDER AND STABILIZER CONSTRUCTION

1/8" SQ LE  
 1/8x3/8 SPAR  
 1/8x1/4  
 1/16" RIBS  
 STRUT JOINT  
 LICENSE NUMBER  
 HORN  
 FLAP OUTLINE  
 AILERON OUTLINE

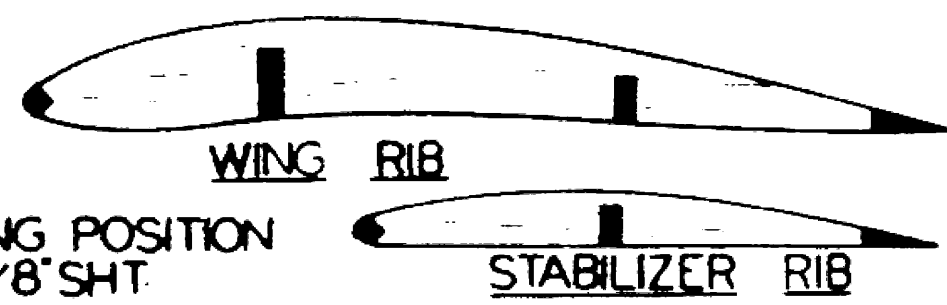
CENTER SECTION

TOP  
 A  
 1/8x3/8 TR. EDGE  
 B  
 C  
 MAKE 2 OF EACH

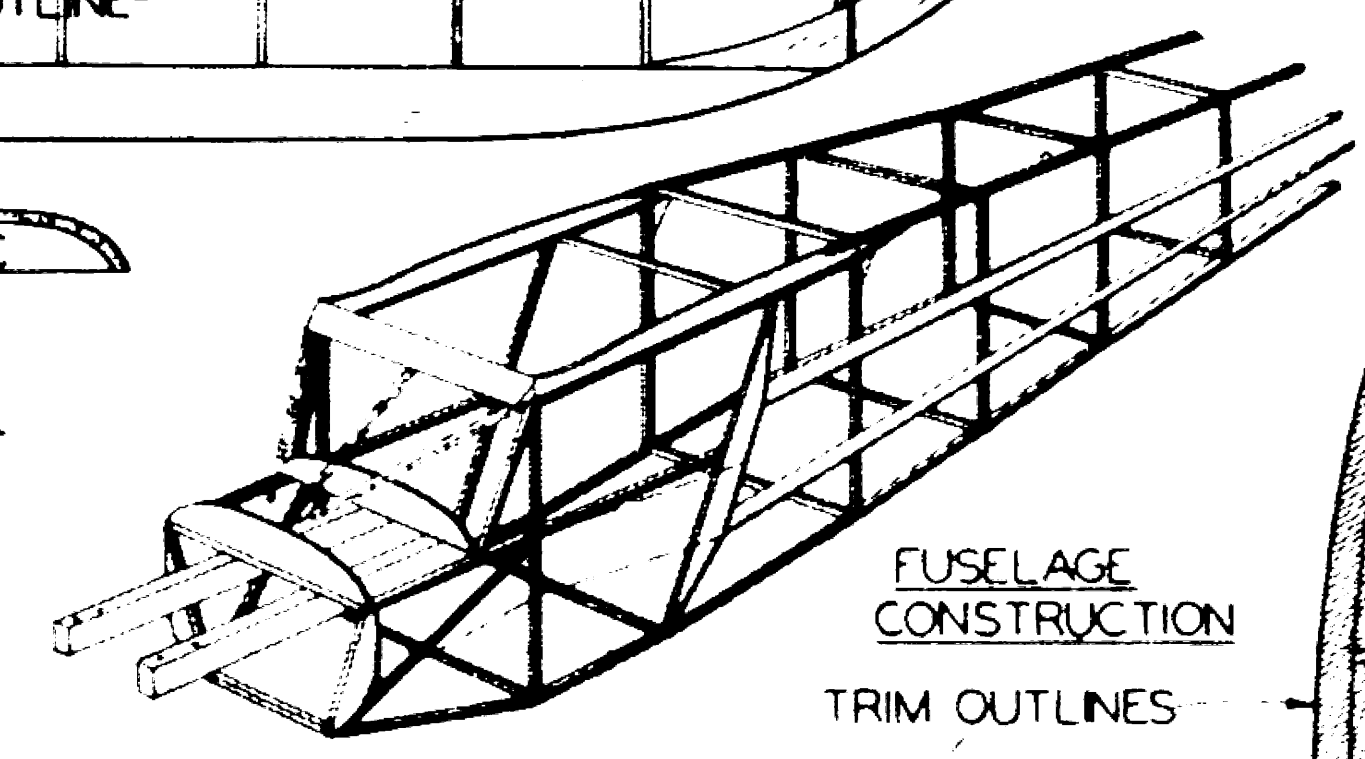


FRONT VIEW OF COWL BLOCK  
 LOUVERS

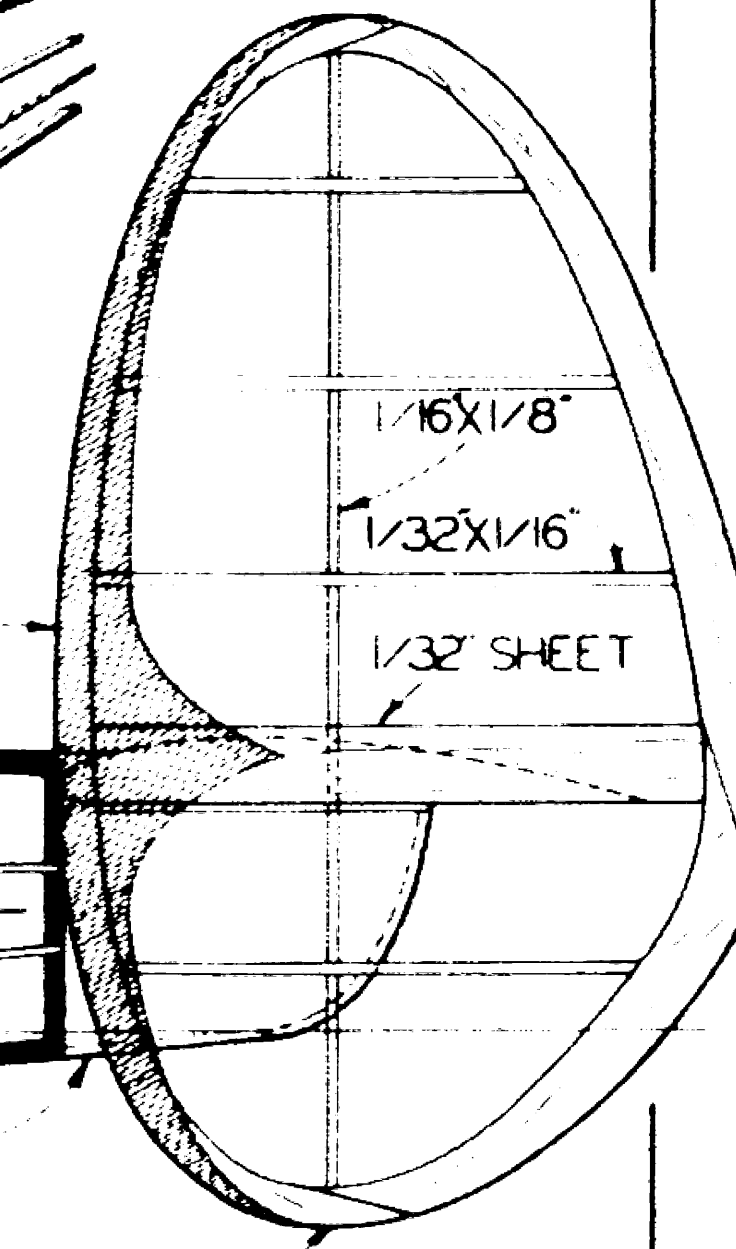
WING STRUT 1/8x3/8" PINE OR HARD Balsa. CUT TO LENGTH.



WING RIB  
 STABILIZER RIB



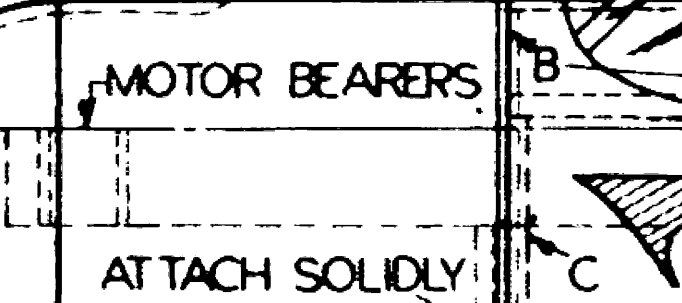
FUSELAGE CONSTRUCTION



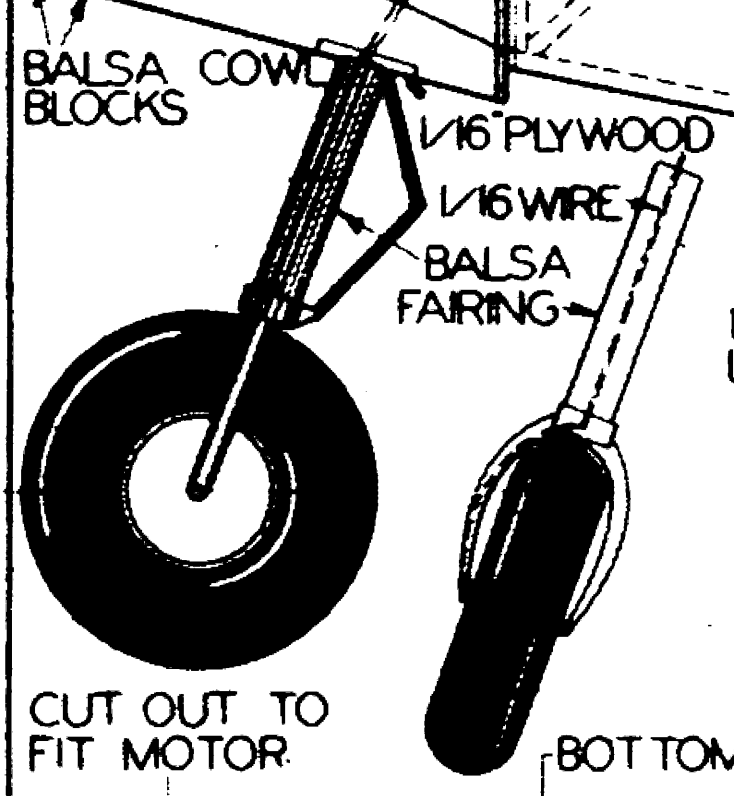
TRIM OUTLINES

1/16x1/8"  
 1/32"x1/16"  
 1/32" SHEET

CUT PLYWOOD FIREWALL TO THIS SHAPE



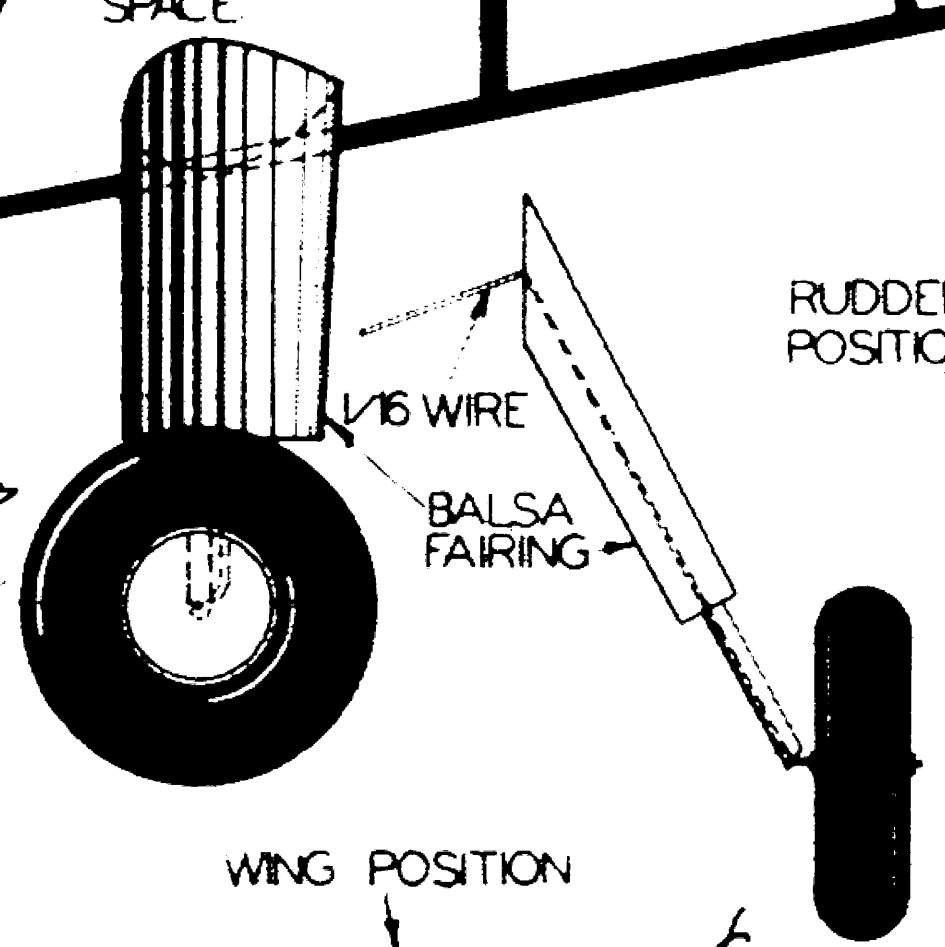
MOTOR BEARERS  
 ATTACH SOLIDLY



COVER BOTTOM WITH 1/16 SHT TO THIS POINT  
 INSTALLATION OF LANDING GEAR

CUT OUT TO FIT MOTOR

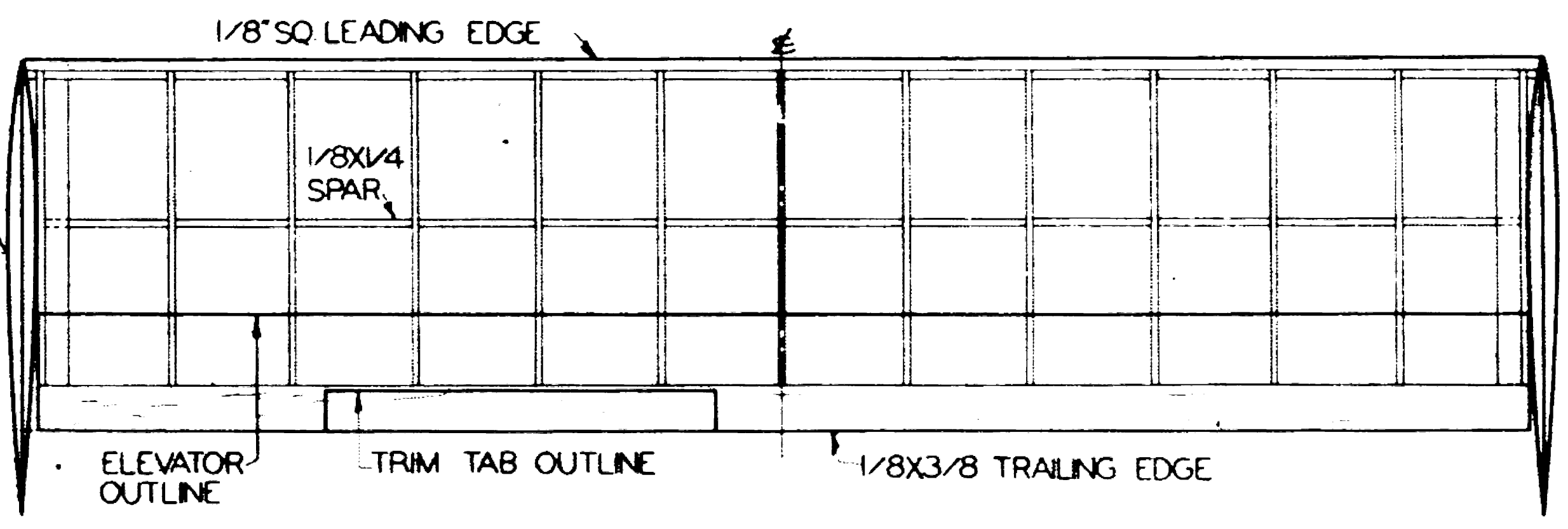
BOTTOM LONGERON



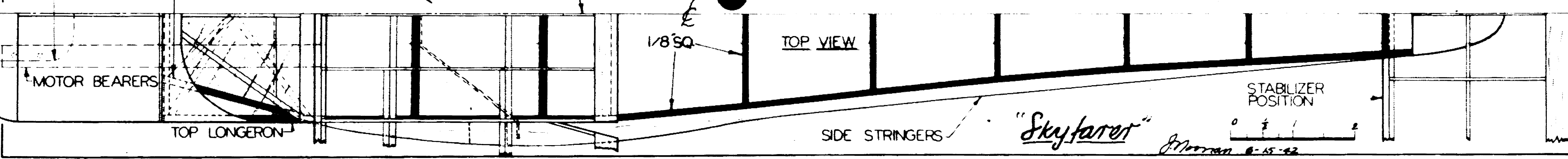
FILL IN THIS SPACE

RUDDER POSITION

WING POSITION



1/8" SQ LEADING EDGE  
 1/8x1/4 SPAR  
 ELEVATOR OUTLINE  
 TRIM TAB OUTLINE  
 1/8x3/8 TRAILING EDGE



MOTOR BEARERS

TOP LONGERON

1/8" SQ

TOP VIEW

SIDE STRINGERS

STABILIZER POSITION

"Skyfarer"

8-15-42