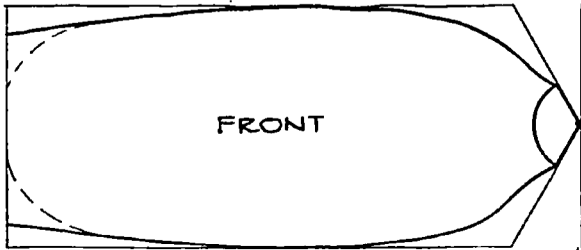
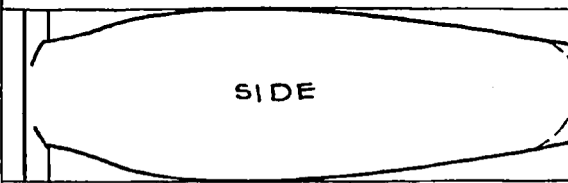


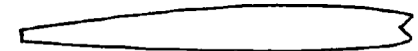
PROP. for FLYING



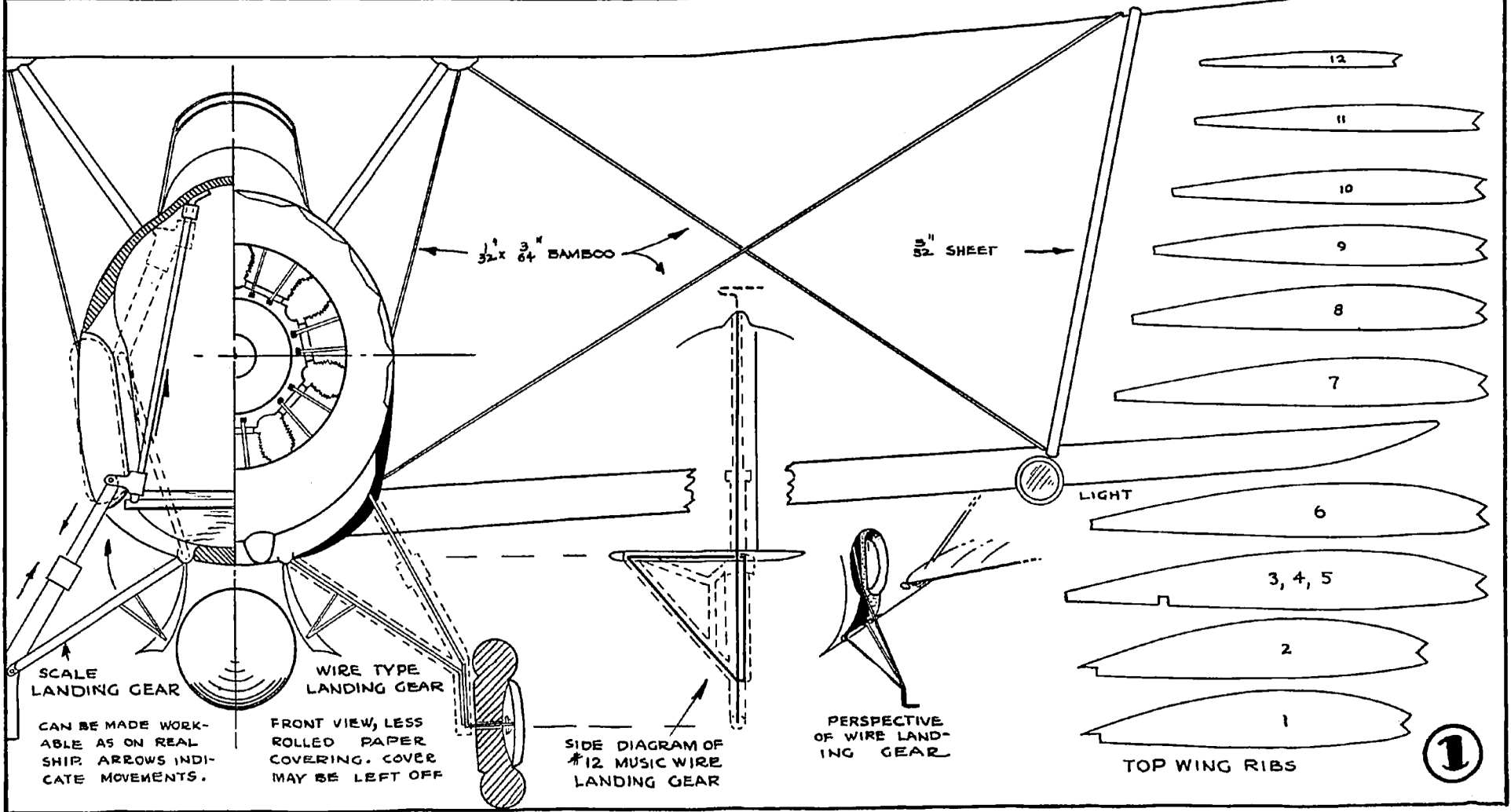
FRONT



SIDE



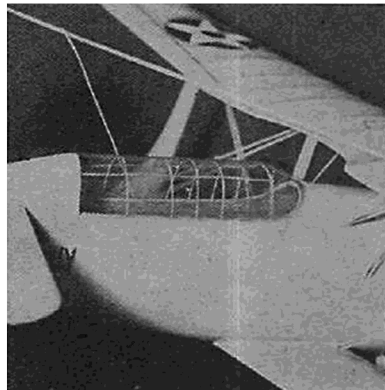
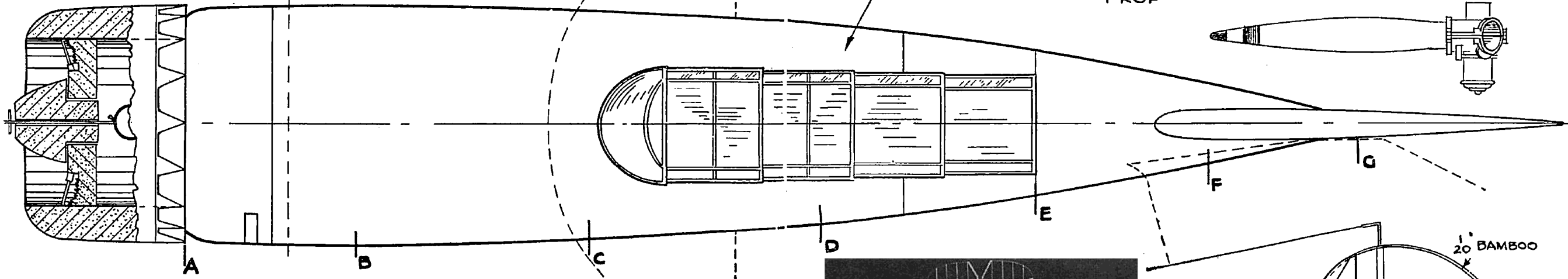
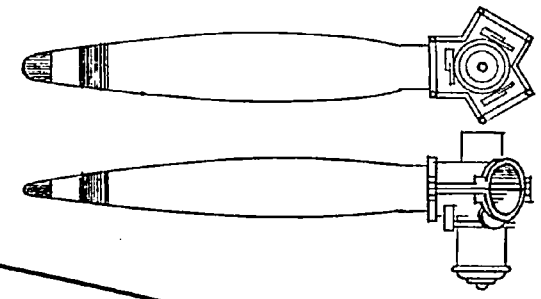
LOWER WINGS RIB



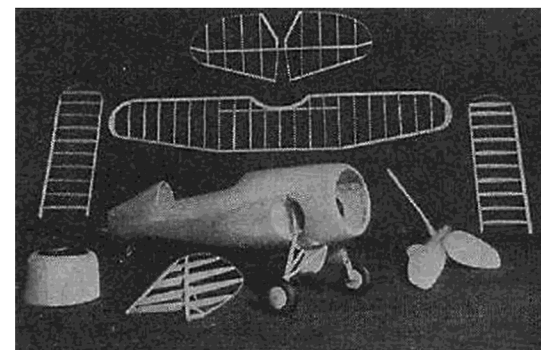
MOTOR DETAIL

READ INSTRUCTIONS ON INCLOSURE

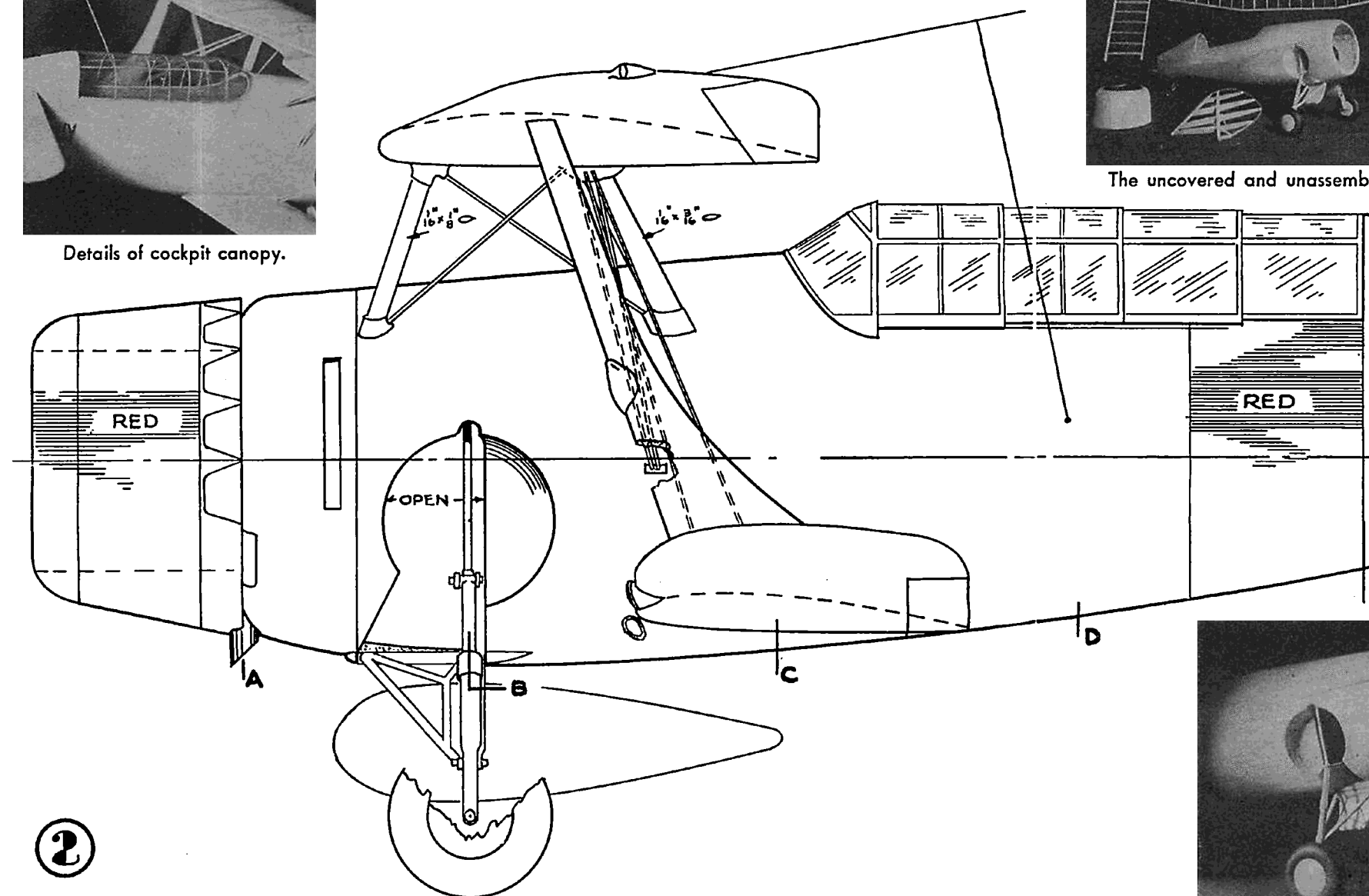
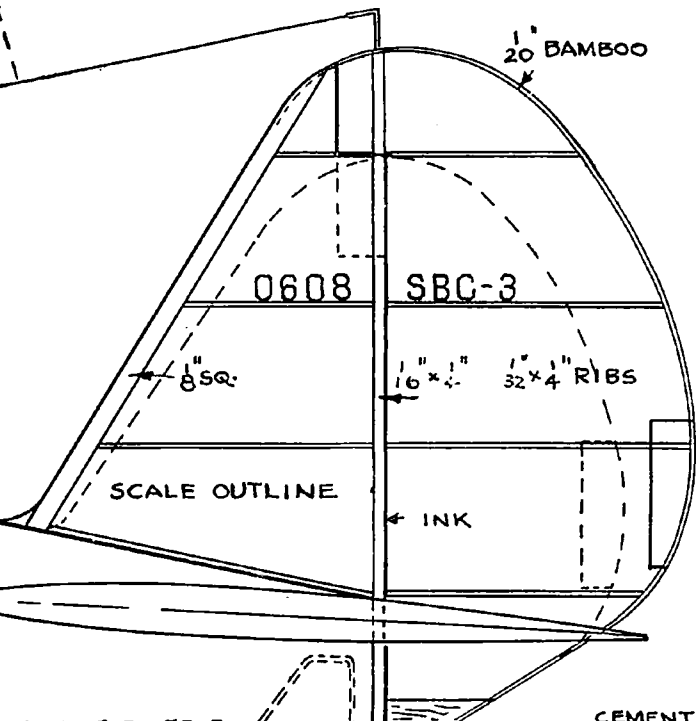
SCALE PROP



Details of cockpit canopy.



The uncovered and unassembled structure.

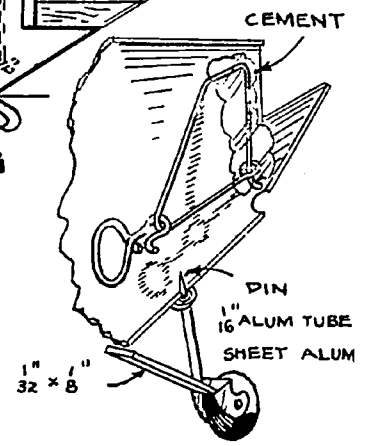


U.S. NAVY

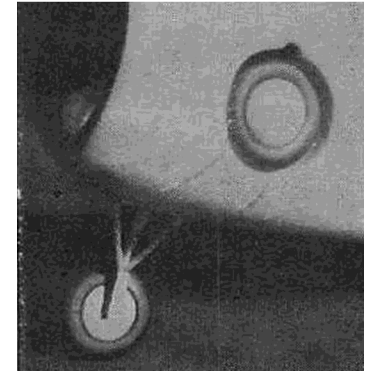
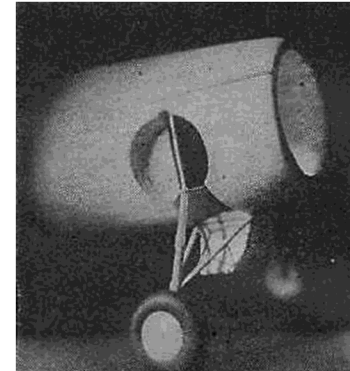
BLACK

INK

The landing gear, open and retracted.



REAR HOOK AND WHEEL DETAIL



2

3

