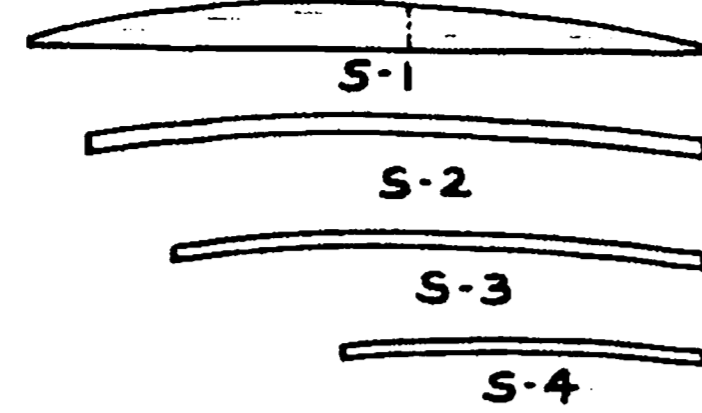
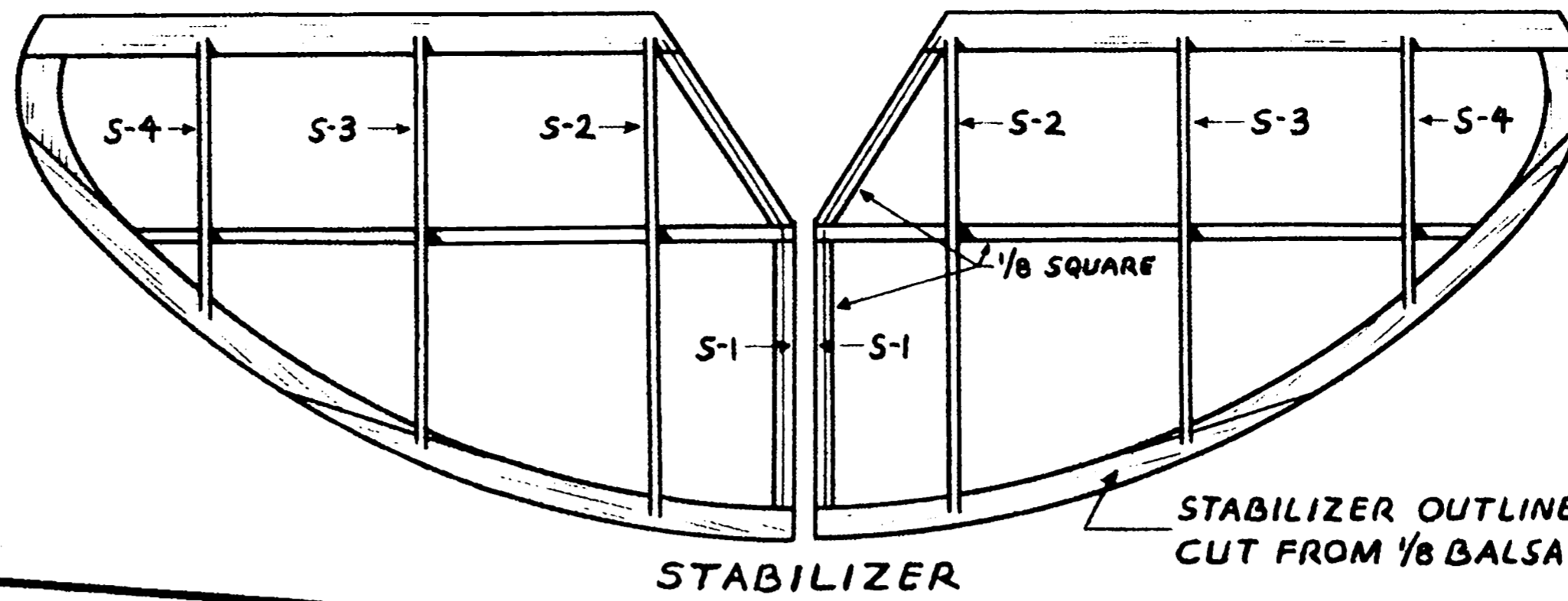


WING RIBS



STABILIZER RIBS
CUT FROM 1/16 SHEET



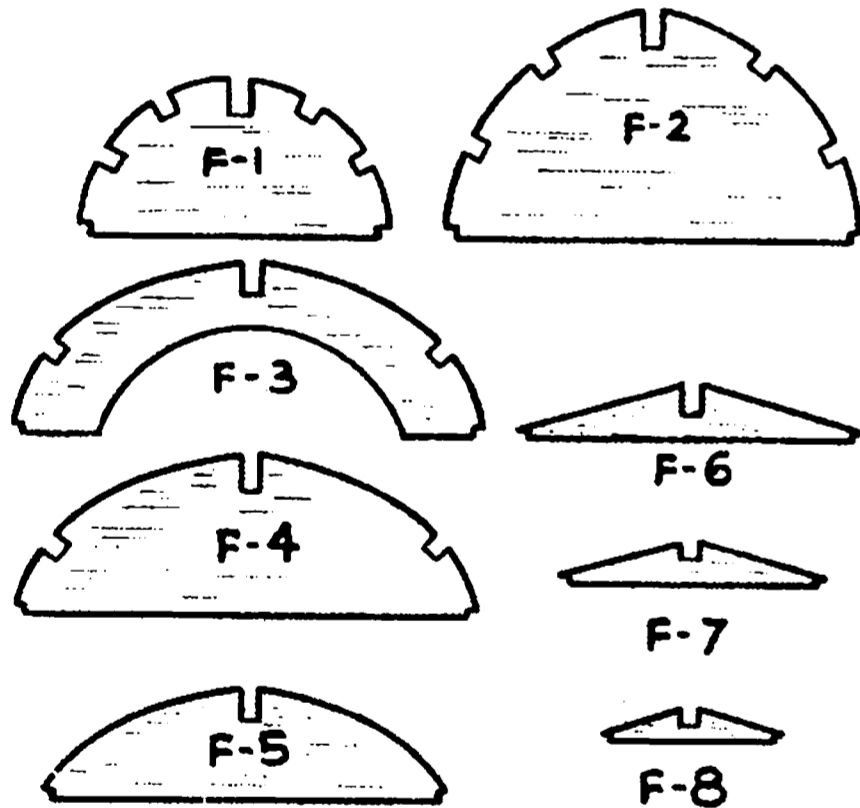
STABILIZER



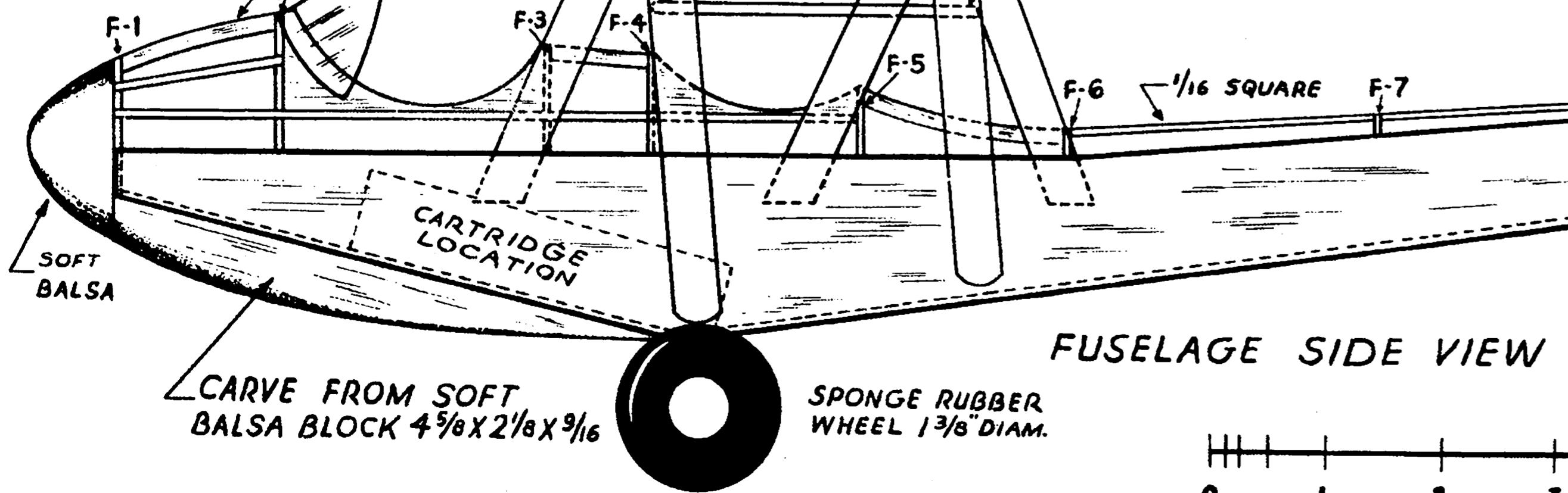
FUSELAGE BOTTOM VIEW
CUT FROM 1/16 SHEET Balsa

FORM LANDING GEAR WIRE AS SHOWN AND CEMENT INTO GROOVE CUT INTO Balsa WOOD BLOCK

FUSELAGE FORMERS
CUT FROM 1/16 SHEET Balsa



CUT FROM 3/32 SHEET F-2



FUSELAGE SIDE VIEW

Sponge Rubber Wheel 1 3/8" DIAM.

CARVE FROM SOFT Balsa BLOCK 4 5/8 X 2 1/8 X 3/16

1/8 SQUARE ROUNDED

THREAD

WING STRUTS 1/8 X 3/8

3/32 PLYWOOD

RUDDER OUTLINE CUT FROM 1/8 Balsa

FRONT VIEW
ASSEMBLY DETAIL

1/16 WIRE

1/16 SQUARE

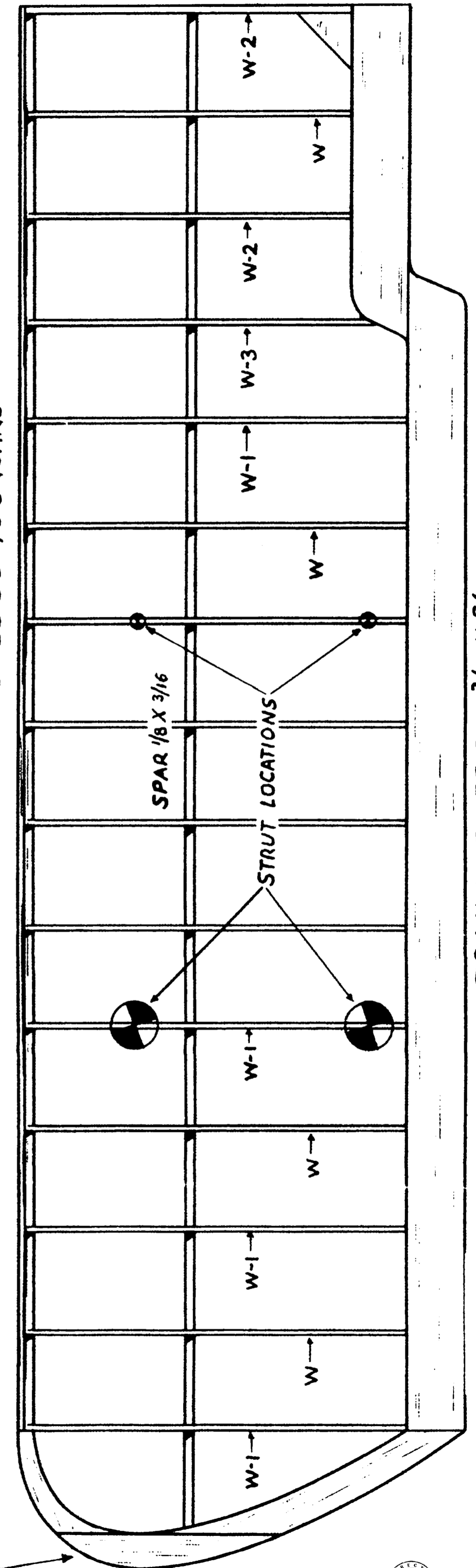
FUSELAGE SIDES
CUT FROM 1/16 SHEET Balsa (2 REQ.)

Scale



WING TIP OUTLINE
CUT FROM 1/8 SHEET Balsa

LEADING EDGE 1/8 SQUARE



TRAILING EDGE 3/16 X 5/8

