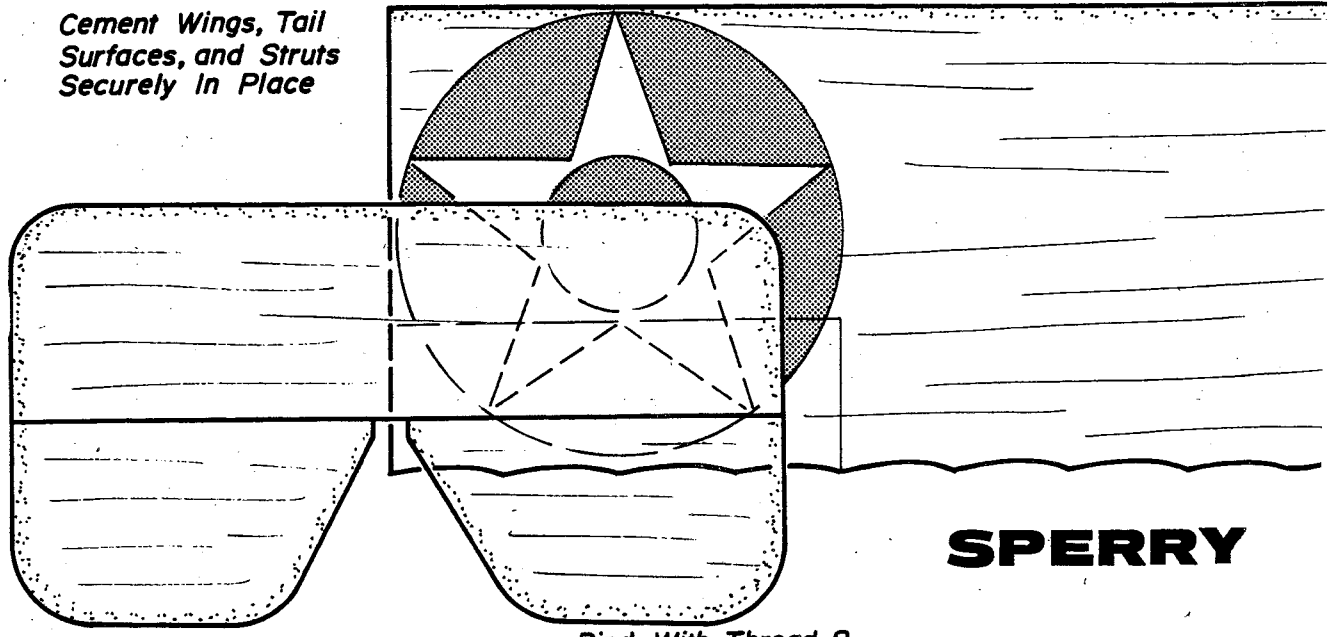


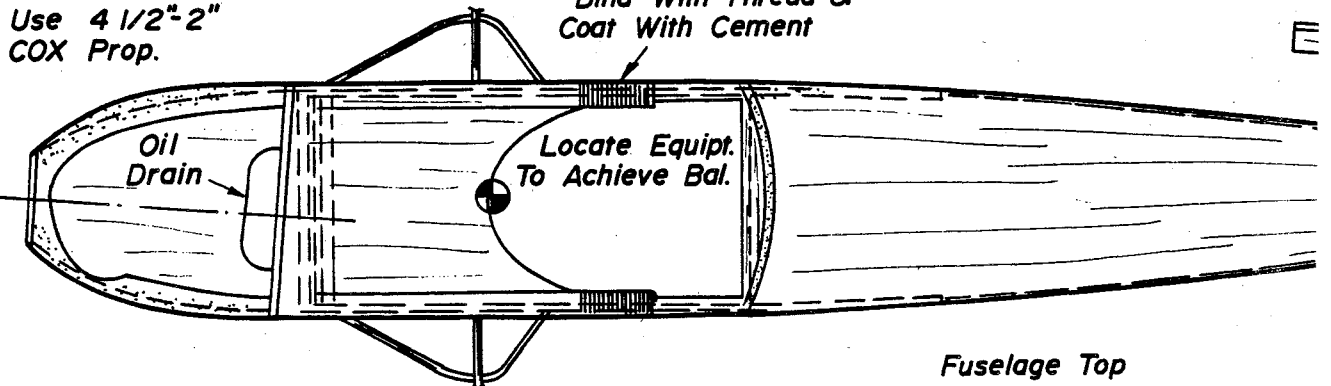
Cement Wings, Tail Surfaces, and Struts Securely In Place



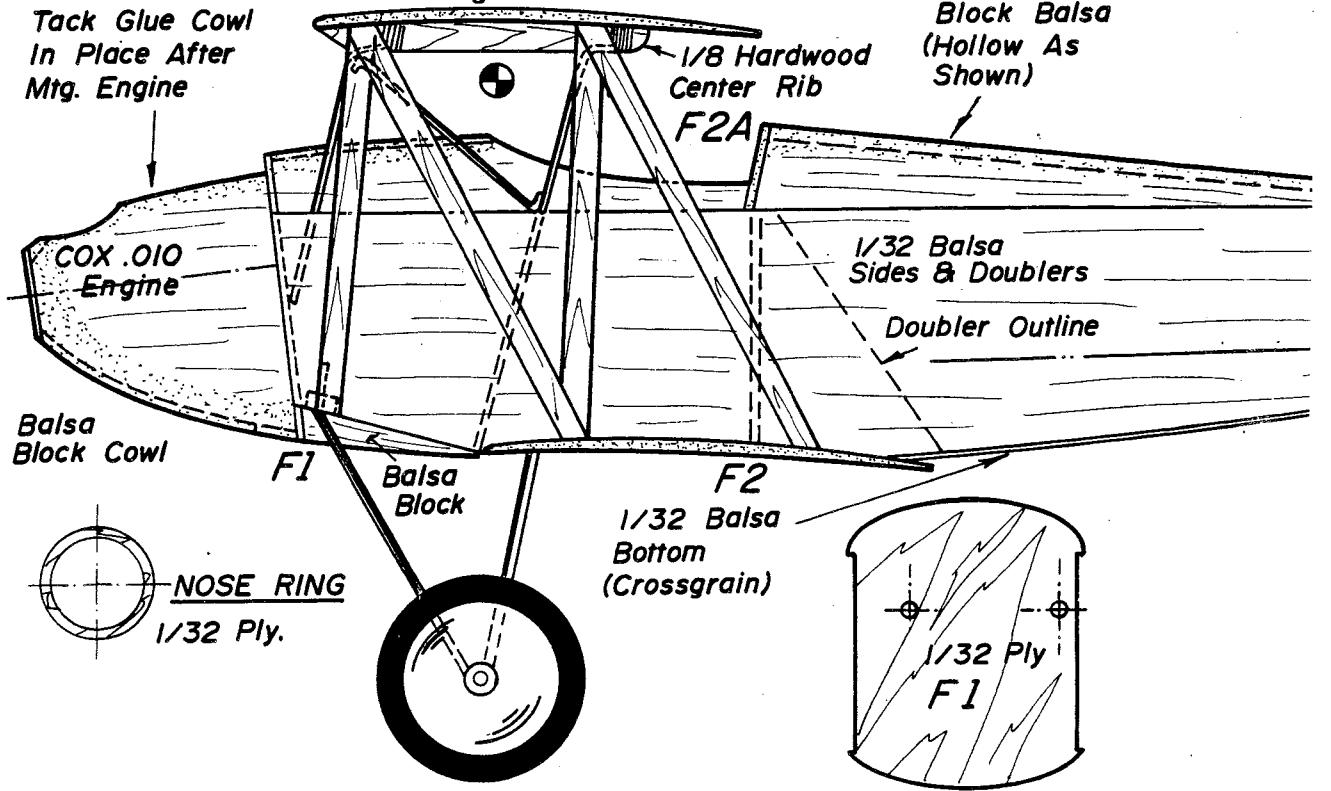
SPERRY

Use 4 1/2"-2" COX Prop.

Bind With Thread & Coat With Cement



Tack Glue Cowl In Place After Mtg. Engine



NOSE RING
1/32 Ply.

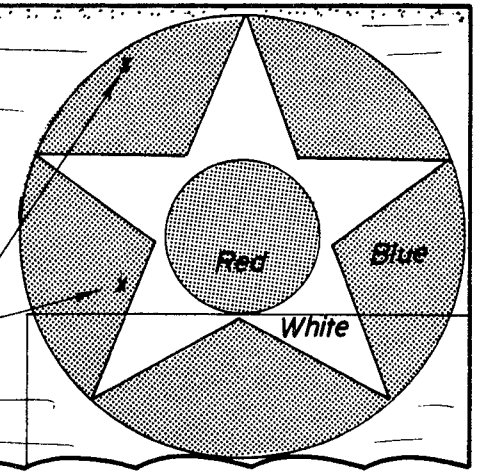
1/32 Balsa Bottom (Crossgrain)

1/32 Ply
F1

All Wings & Tail Surfaces
Cut From 1/16 Balsa

Both Upper & Lower Wings
Identical

Dihedral 1/2" Each Side
(Both Wings)

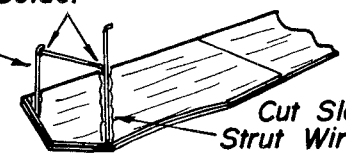


MESSENGER

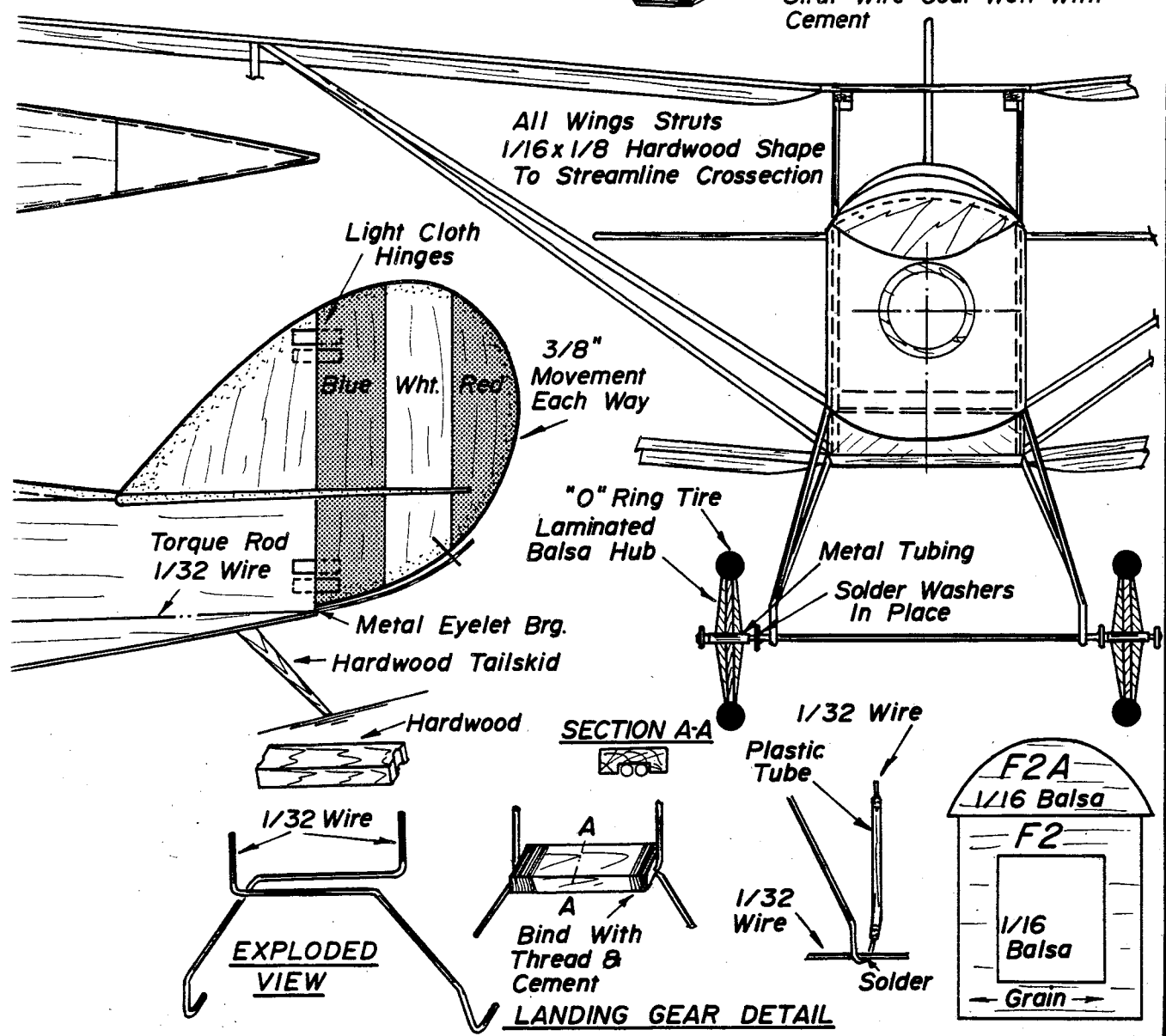
1/32 Wire

Solder

STRUT MOUNTING
DETAIL



Cut Slots In Doublers To Fit Strut Wire Coat Well With Cement



All Wings Struts
1/16x1/8 Hardwood Shape
To Streamline Crosssection

Light Cloth Hinges

3/8" Movement
Each Way

"O" Ring Tire
Laminated
Balsa Hub

Metal Tubing
Solder Washers
In Place

Torque Rod
1/32 Wire

Metal Eyelet Brg.

Hardwood Tailskid

Hardwood

SECTION A-A

1/32 Wire
Plastic Tube

1/32 Wire

A
A
Bind With
Thread &
Cement

1/32 Wire

Solder

F2A
1/16 Balsa
F2
1/16 Balsa
Grain

EXPLODED
VIEW

LANDING GEAR
DETAIL