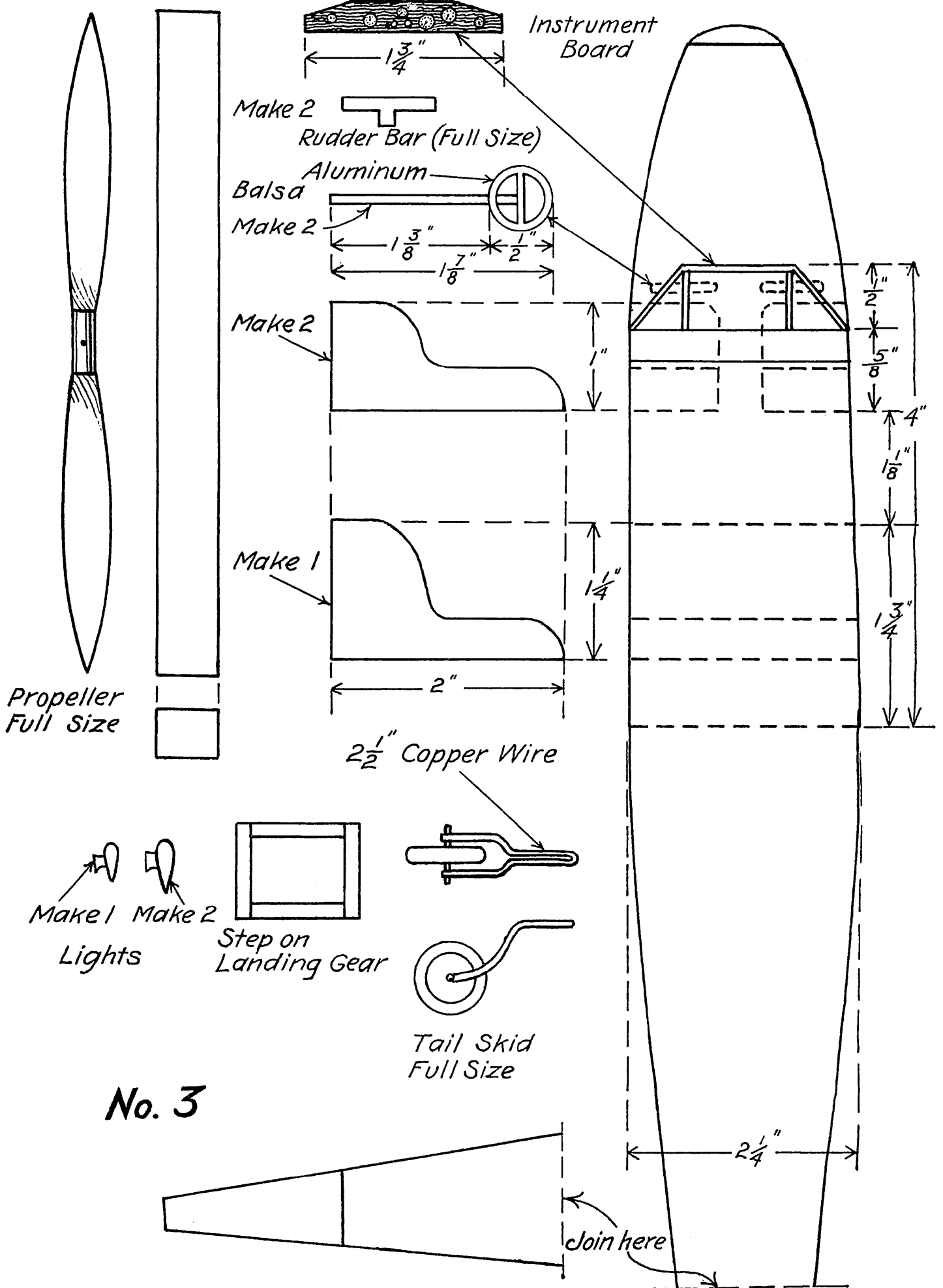
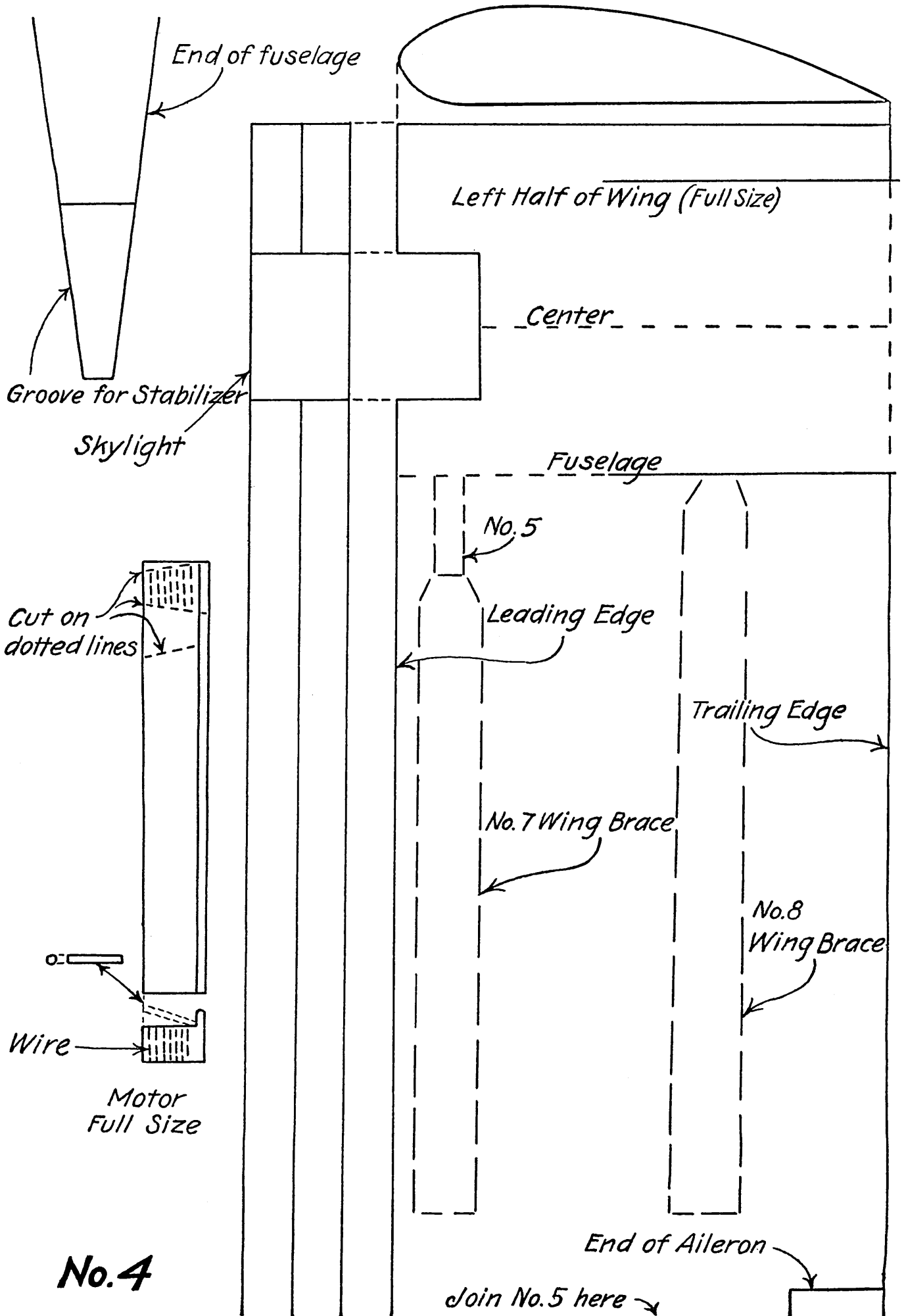
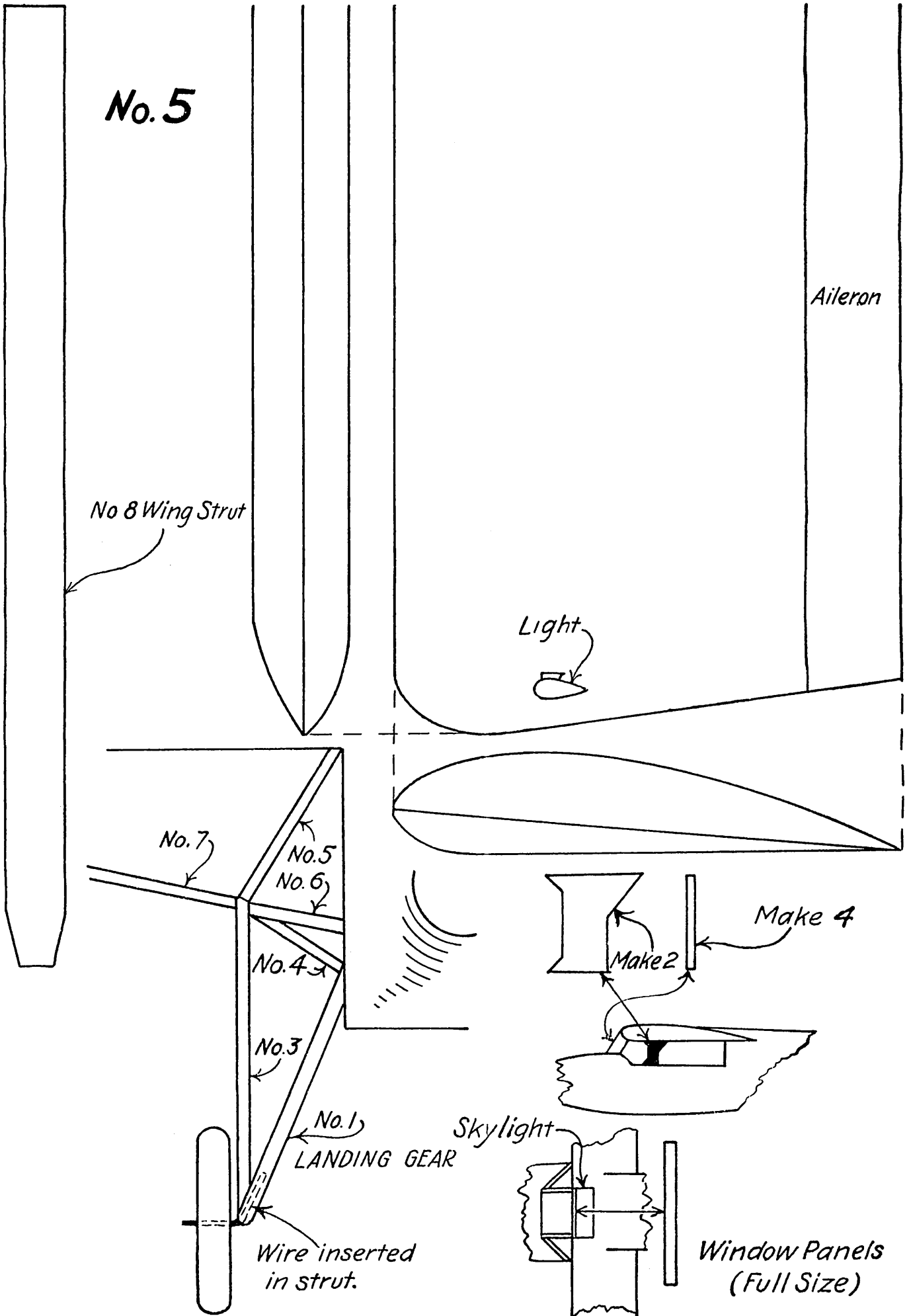


No. 2

RUDDER AND ELEVATOR (Full Size)







No. 6

