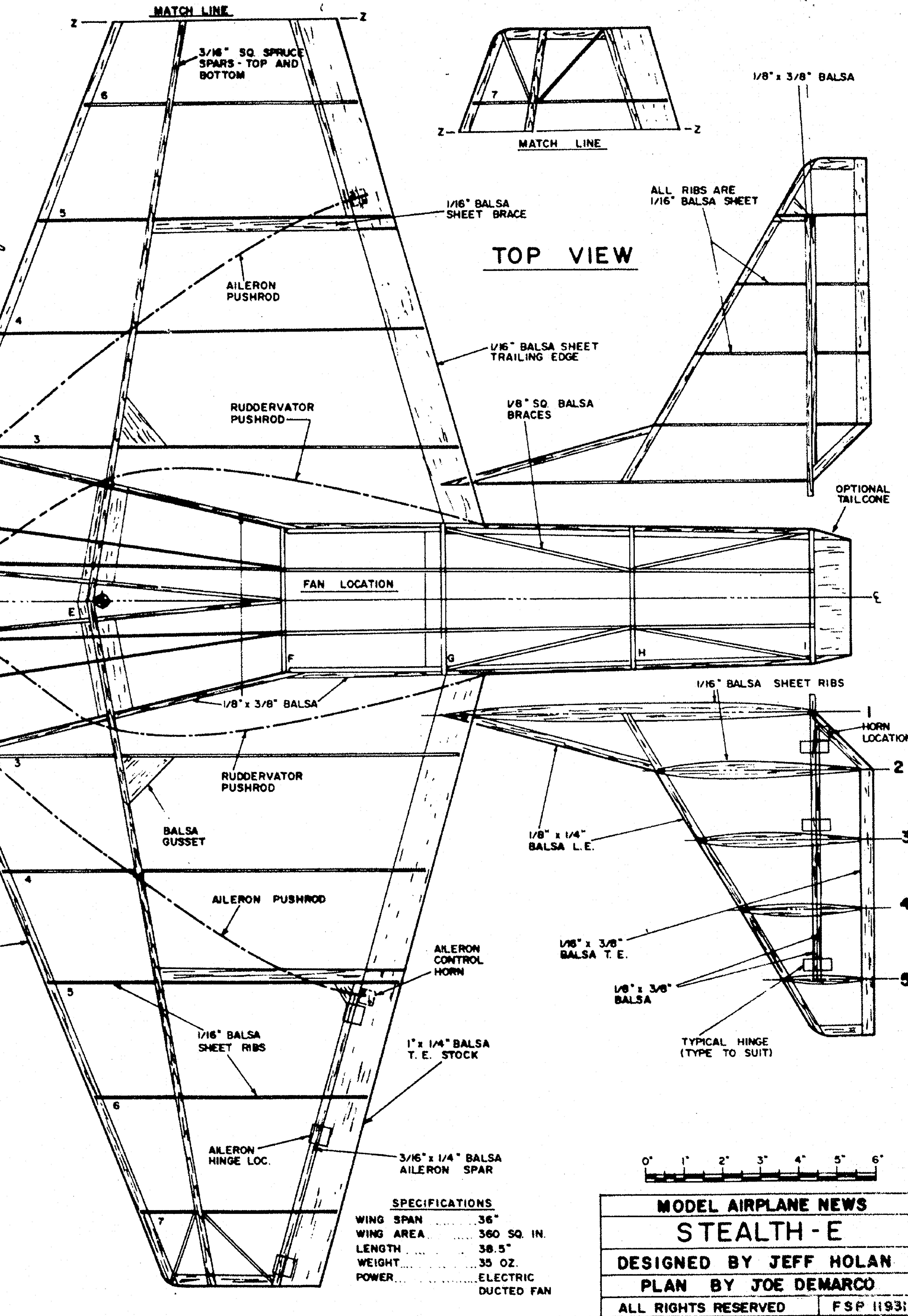
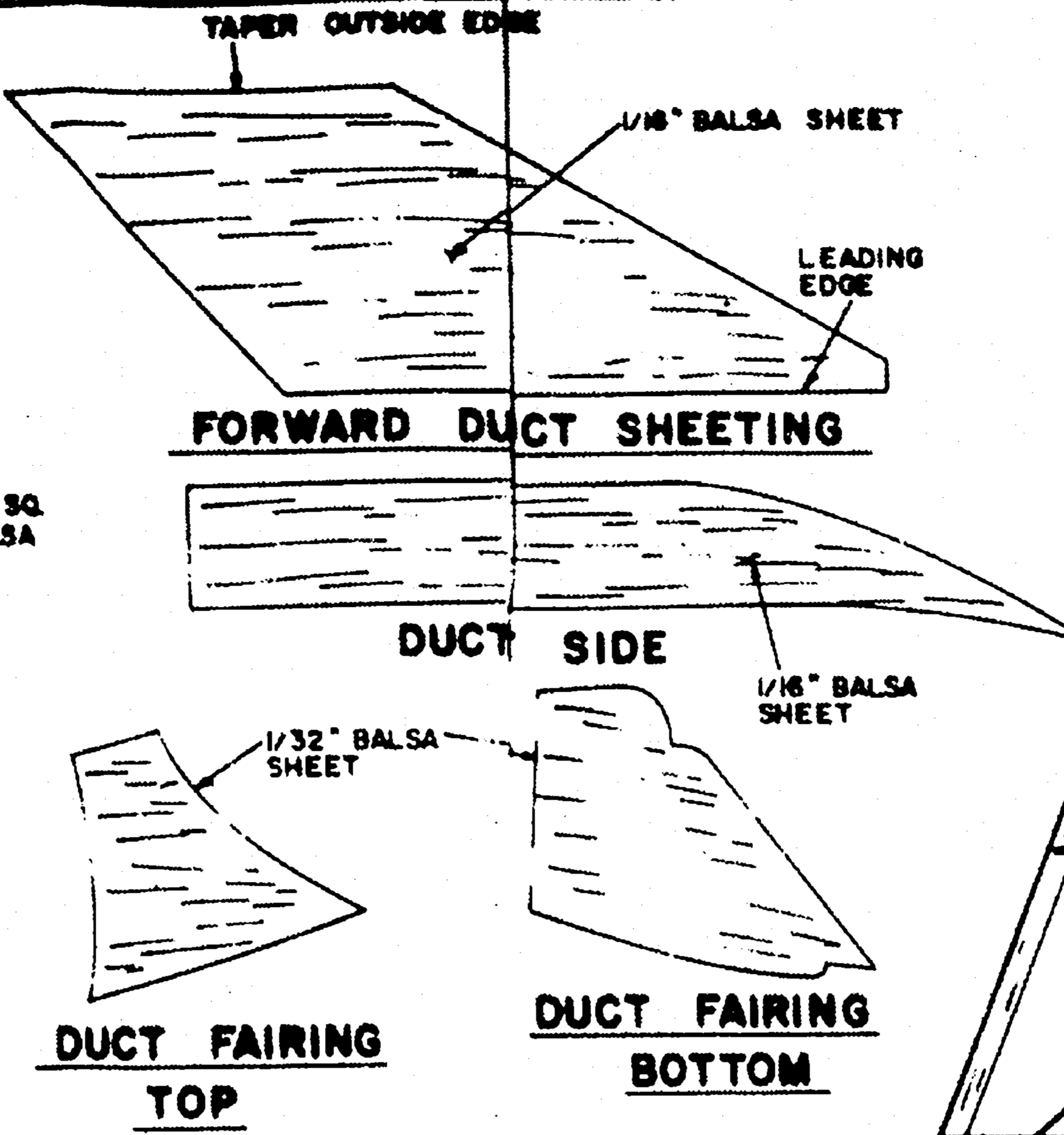
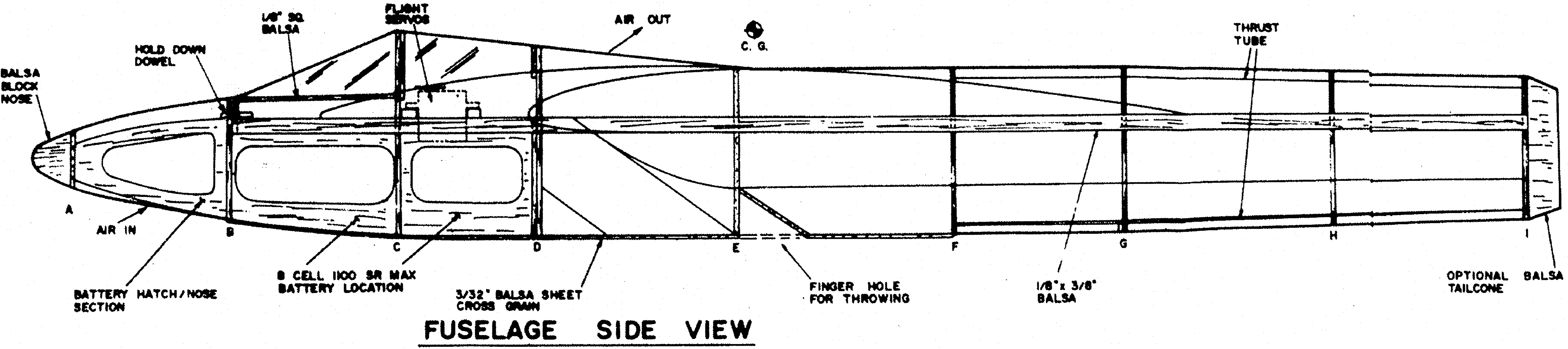
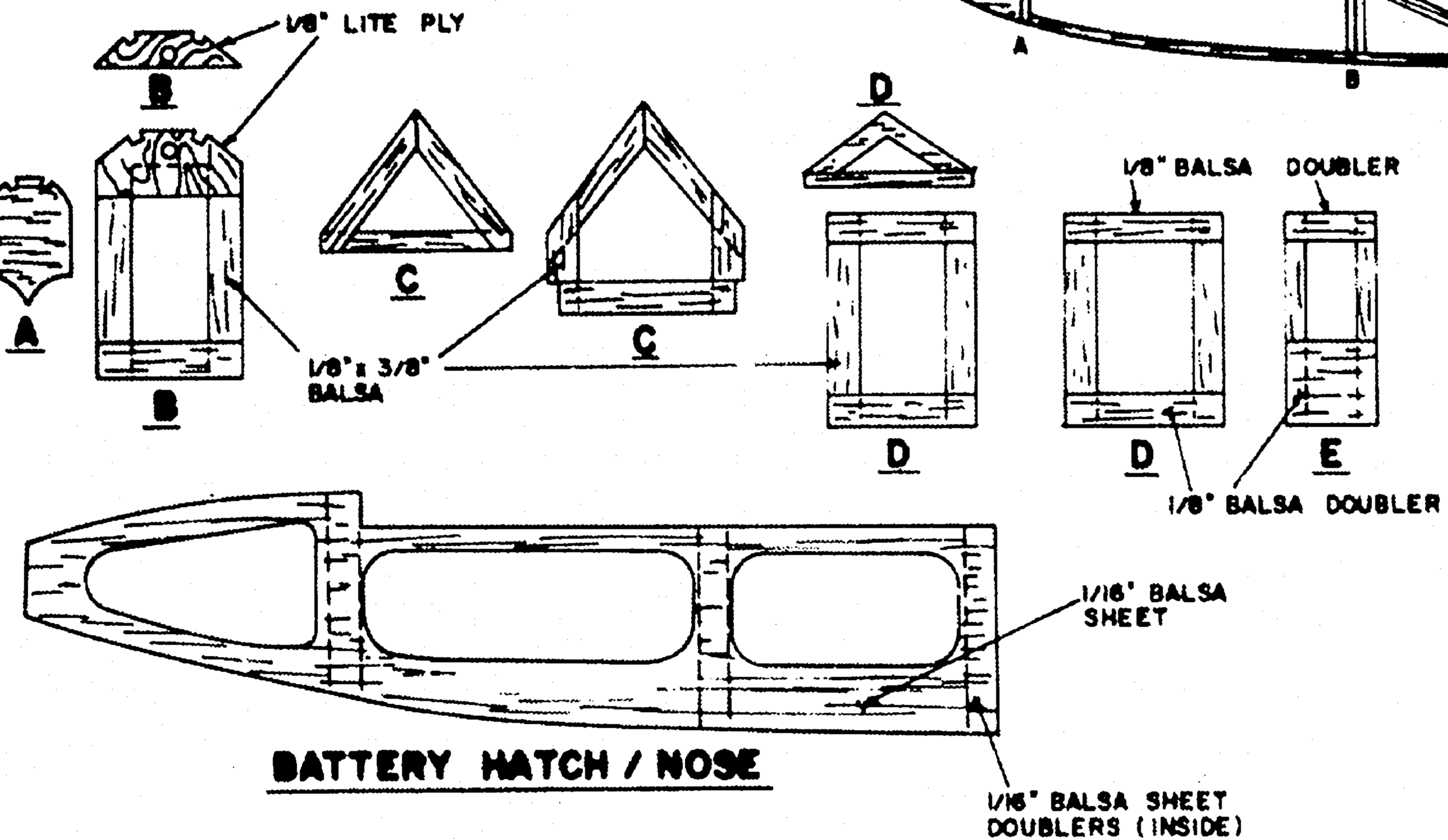
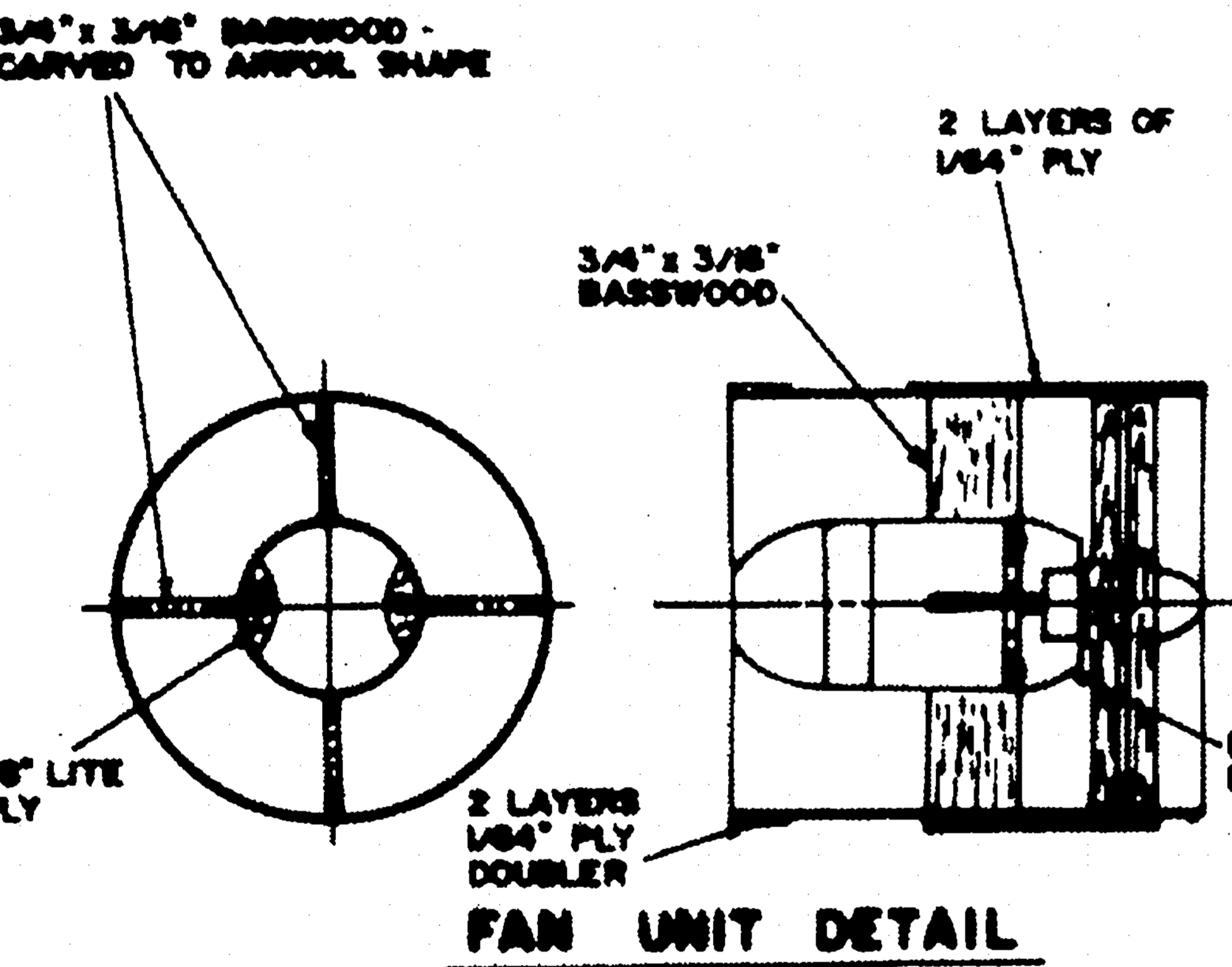


FAN NOTE: DRAWING BELOW SHOWS TWO 3 BLADE FANS - CARRIED 4 BLADE FAN IS AN OPTION DEPENDING ON MOTOR/BATTERIES USED.



SPECIFICATIONS

| | |
|-----------|---------------------|
| WING SPAN | 36" |
| WING AREA | 360 SQ. IN. |
| LENGTH | 38.5" |
| WEIGHT | 35 OZ. |
| POWER | ELECTRIC DUCTED FAN |

| | |
|----------------------------|-----------|
| MODEL AIRPLANE NEWS | |
| STEALTH-E | |
| DESIGNED BY JEFF HOLAN | |
| PLAN BY JOE DEMARCO | |
| ALL RIGHTS RESERVED | FSP 11931 |