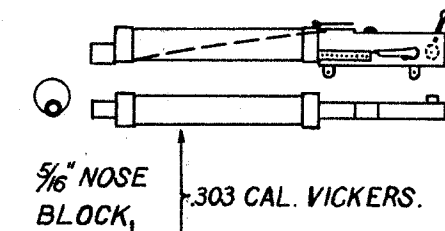
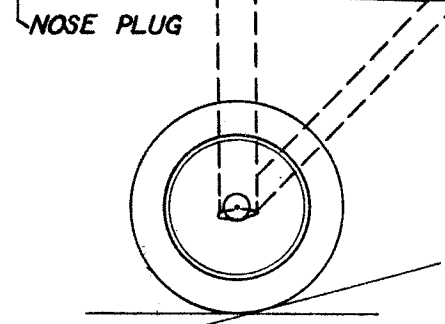
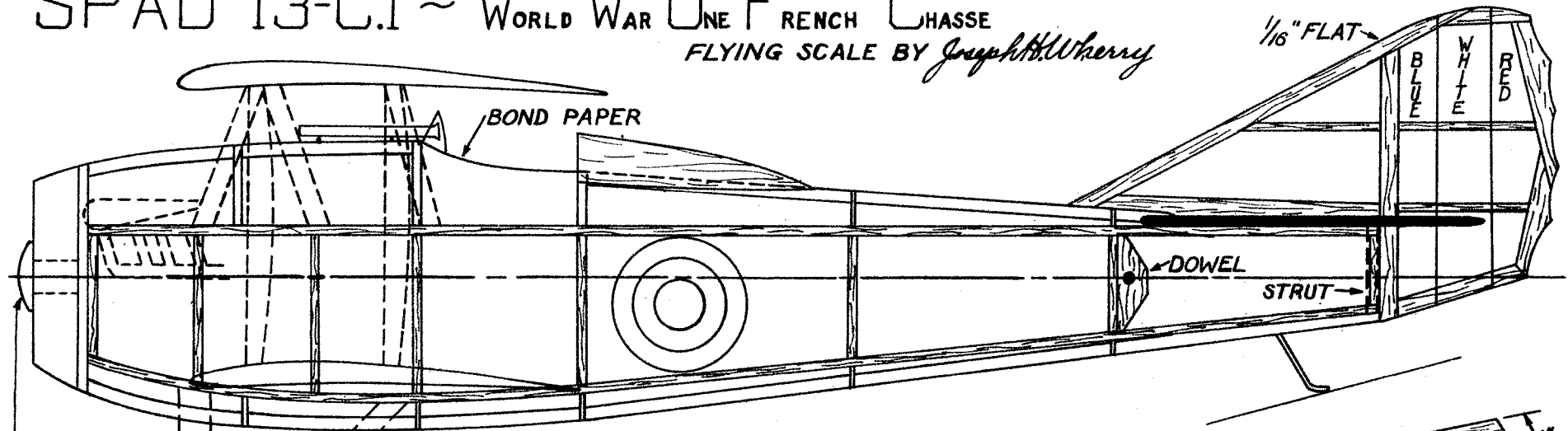
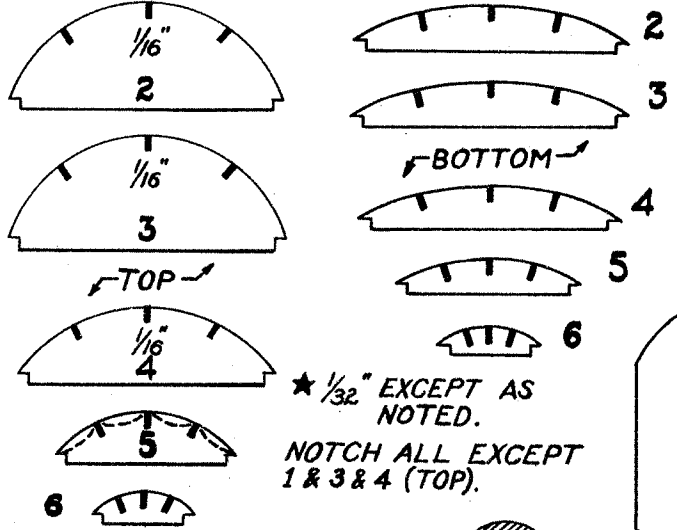


SPAD 13-C.1 ~ WORLD WAR ONE FRENCH "CHASSE"

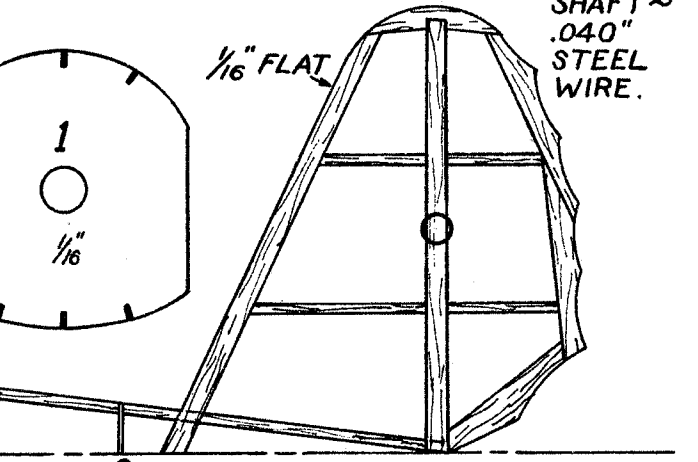
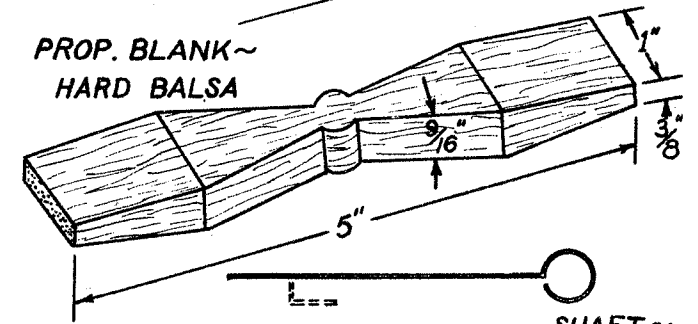
FLYING SCALE BY *Joseph H. Wherry*

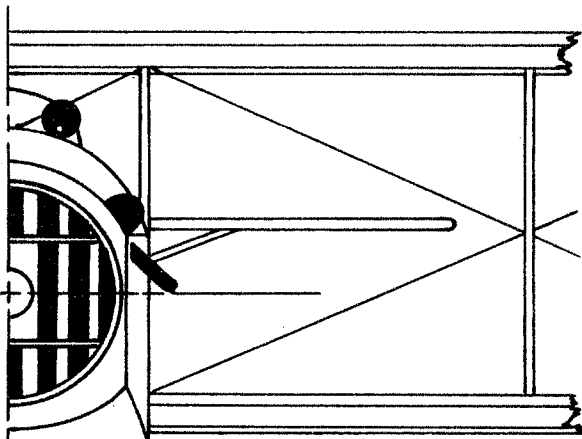


FORMERS ★

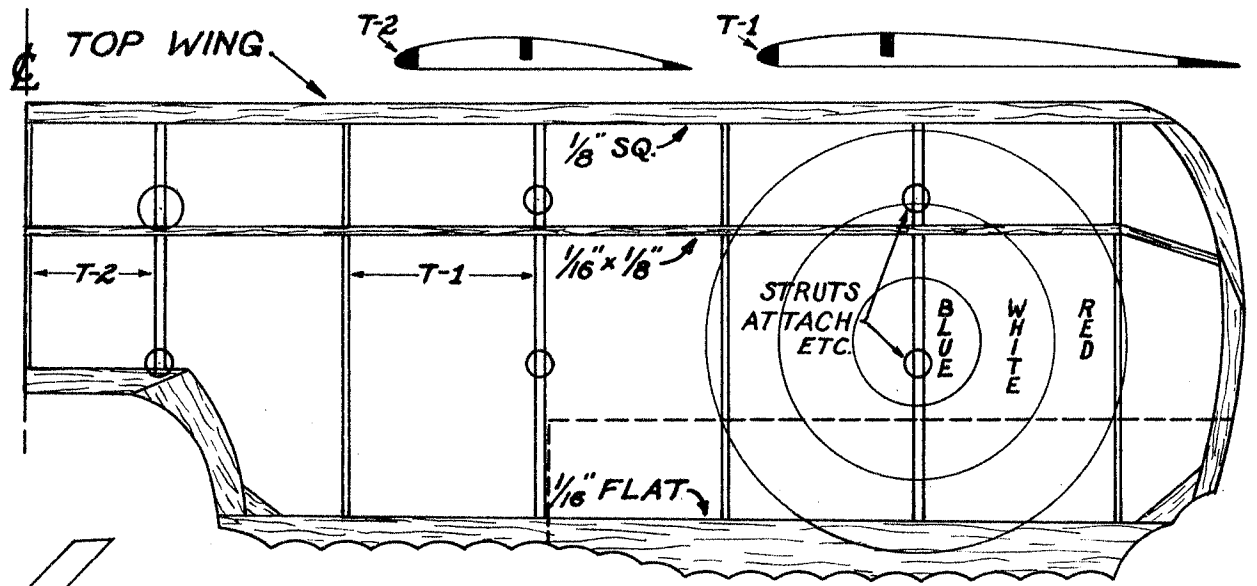


★ 1/32" EXCEPT AS NOTED.
NOTCH ALL EXCEPT 1 & 3 & 4 (TOP).

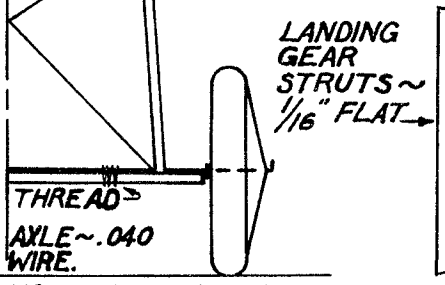




FRONT VIEW.



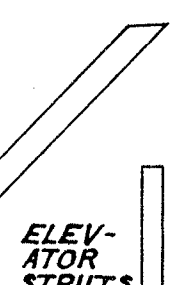
TOP WING



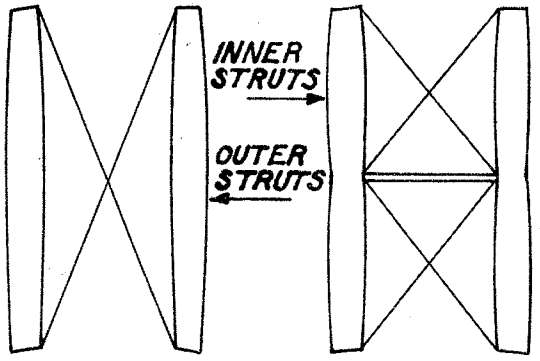
LANDING GEAR STRUTS ~ 1/16" FLAT

THREAD AXLE ~ .040 WIRE.

NO DIHEDRAL ON TRUE SCALE JOB.

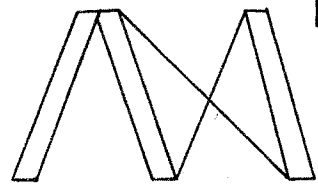


ELEVATOR STRUTS 2 OF 1/16" FLAT.



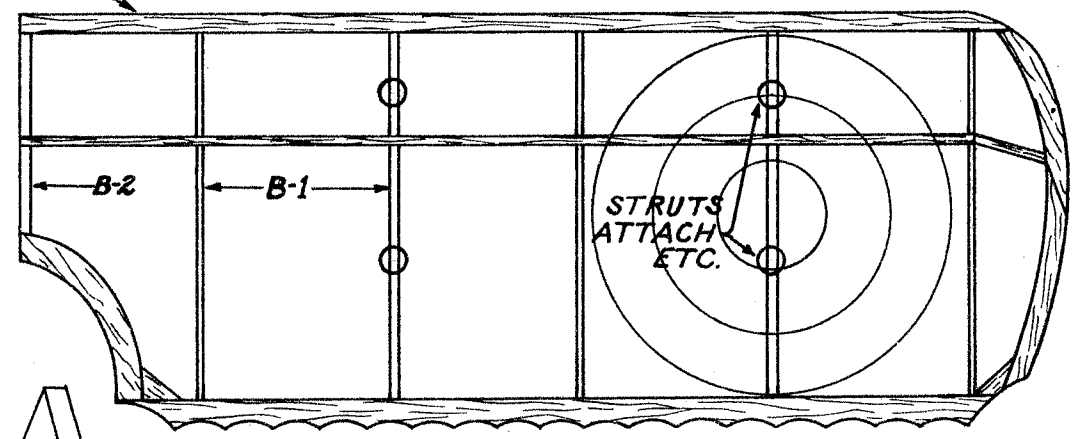
INNER STRUTS
OUTER STRUTS

2 EACH INTER-PLANE STRUTS OF 1/16" FLAT Balsa.

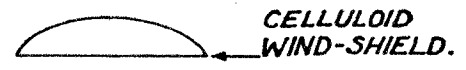


CENTER-SECTION STRUTS ~ 1/16" FLAT

BOTTOM WING



STRUTS ATTACH ETC.



CELLULOID WIND-SHIELD.

SEE INSTRUCTIONS FOR NUMBER OF RIBS.

MAKE EXHAUSTS OF SCRAP Balsa; MAKE 2

