

FS
FRONT STRUT
.062 MUSIC WIRE

CENTER SECTION STRUTS
WRAP & SOLDER ALL JOINTS

RS
REAR STRUT
.062 MUSIC WIRE

DIHEDRAL
2-3/4"

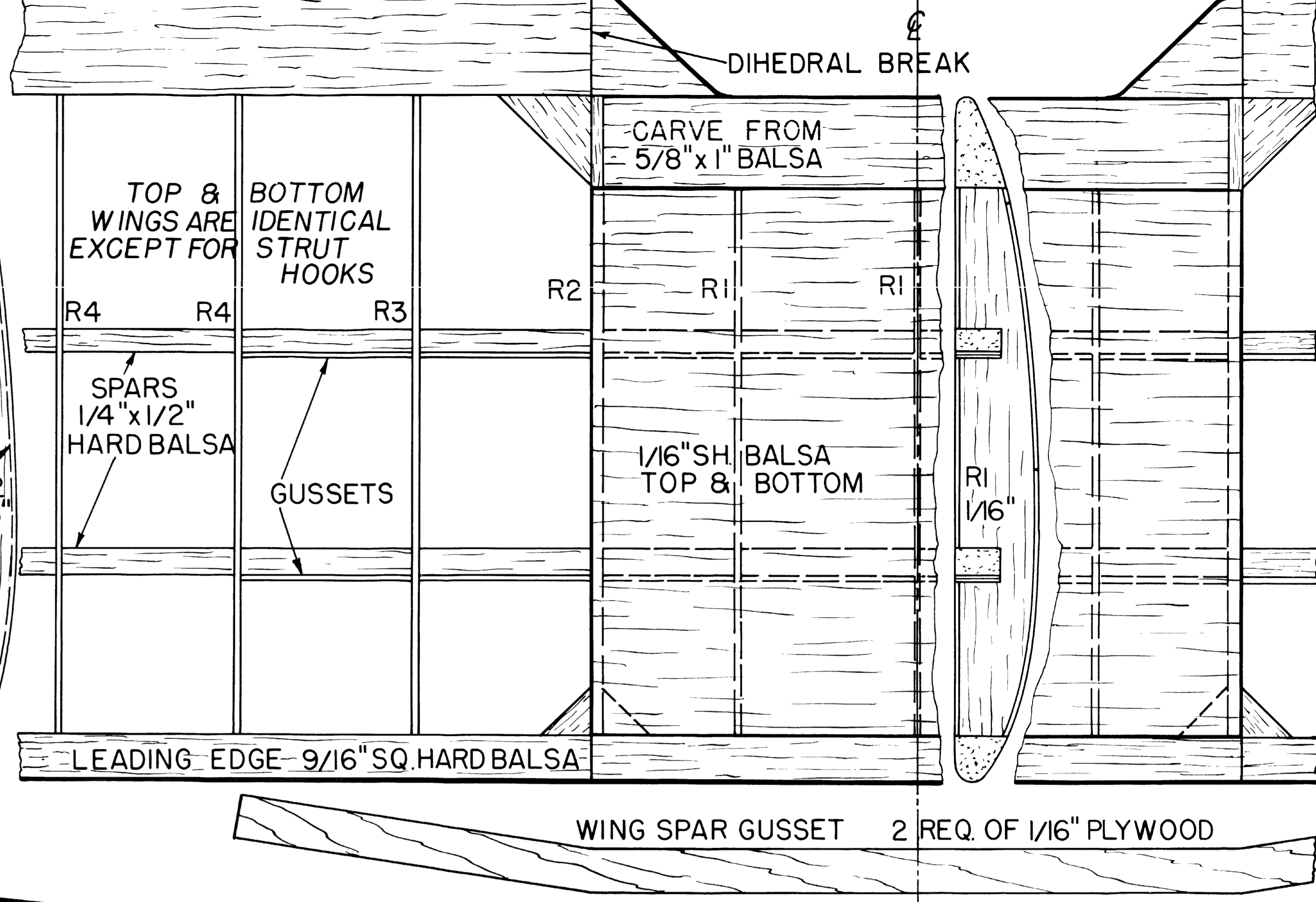
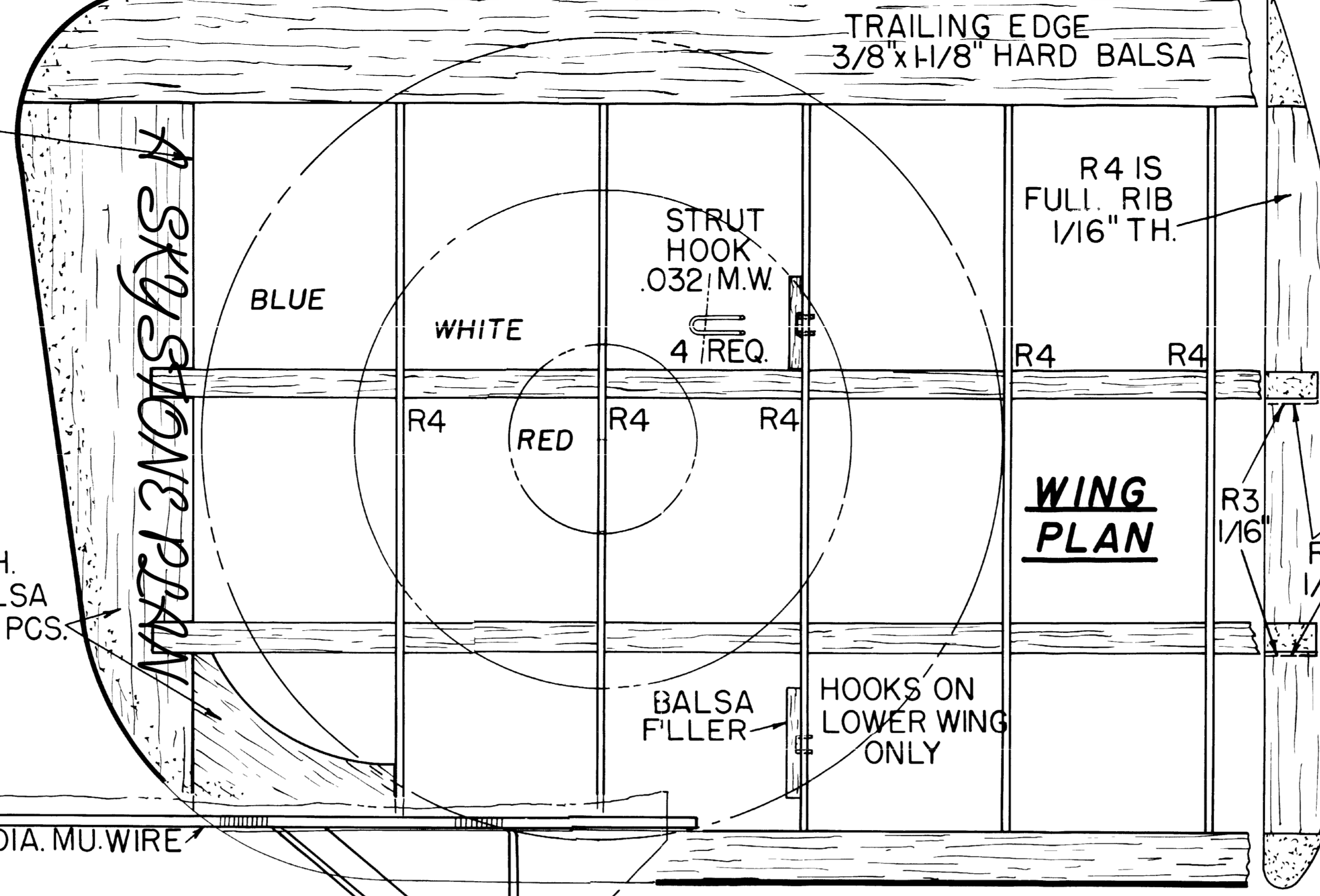
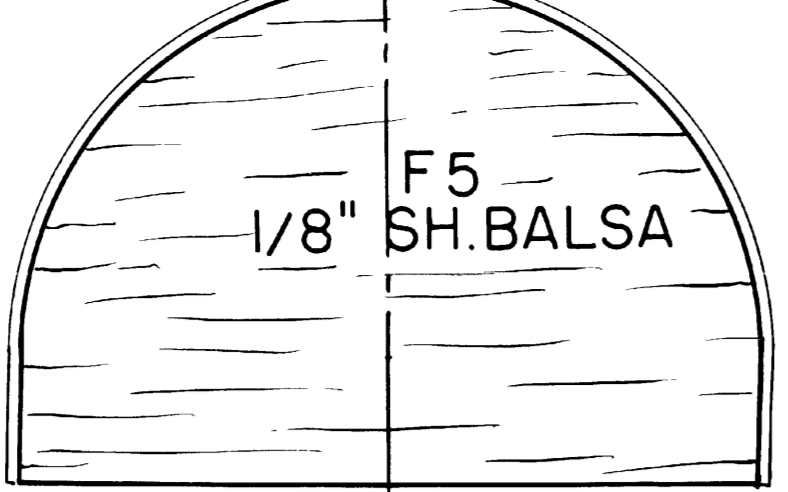
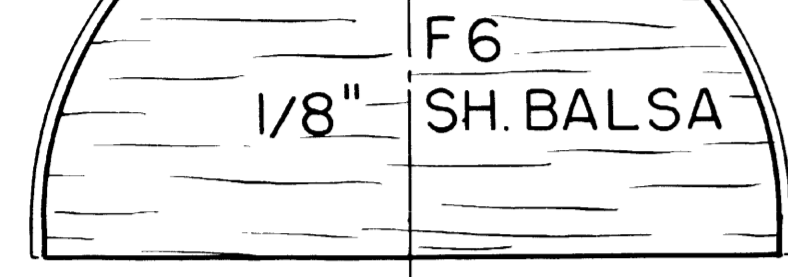
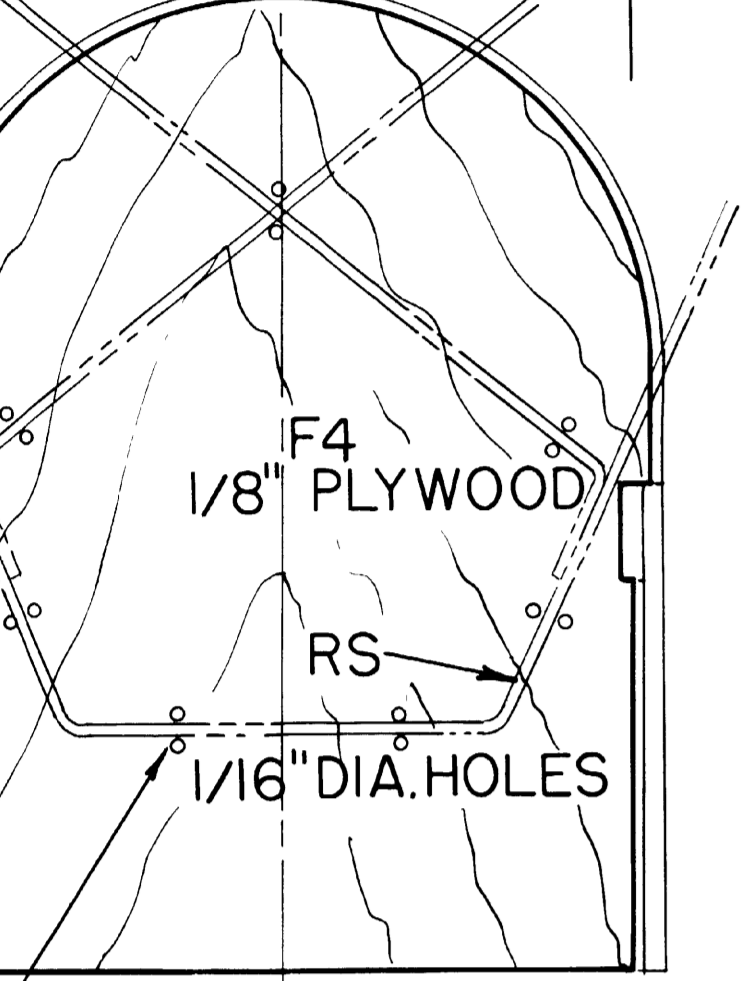
TRAILING EDGE
3/8"x1/8" HARD Balsa

DIHEDRAL BREAK

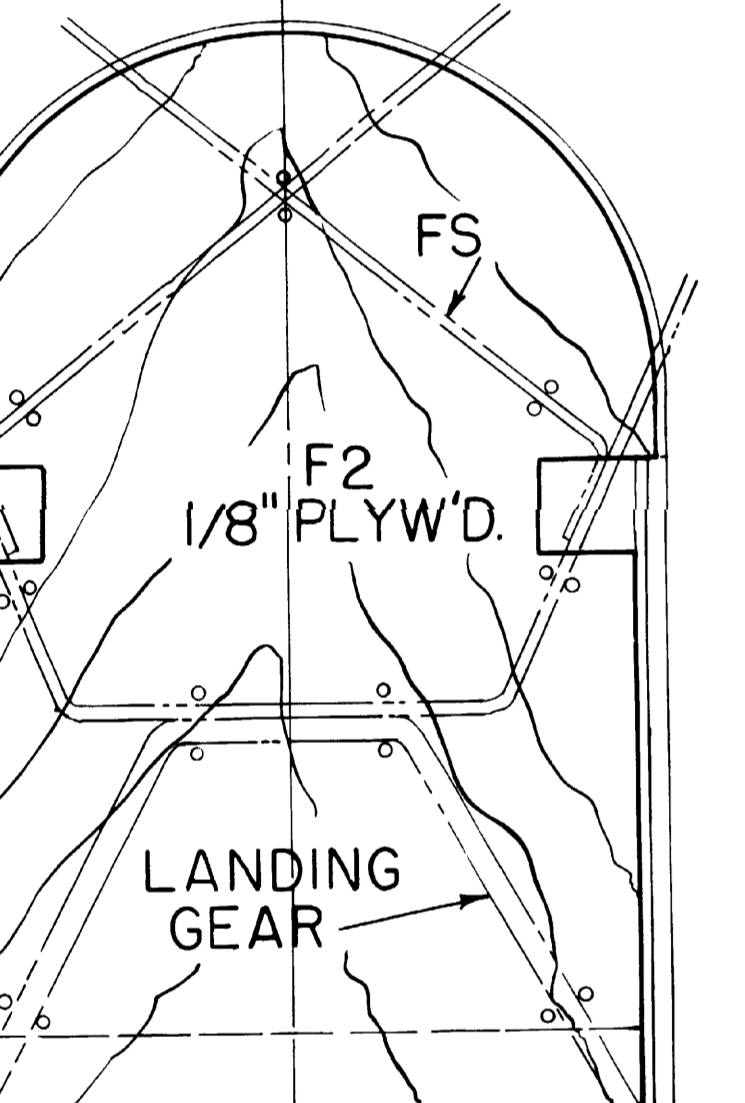
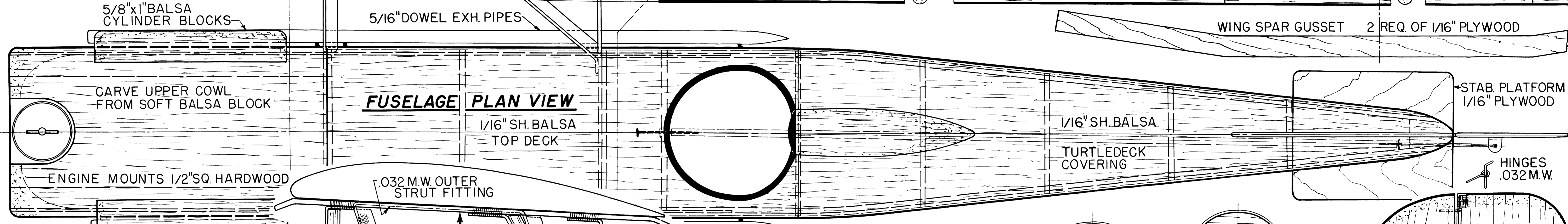
WING PLAN

TOP & BOTTOM IDENTICAL STRUT HOOKS

CARVE FROM 5/8"x1" Balsa



SEW STRUTS TO BLKHDS. WITH FINE WIRE OR HEAVY THREAD



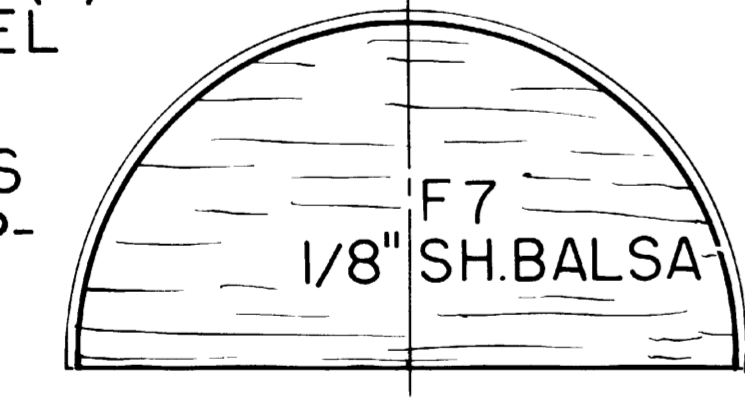
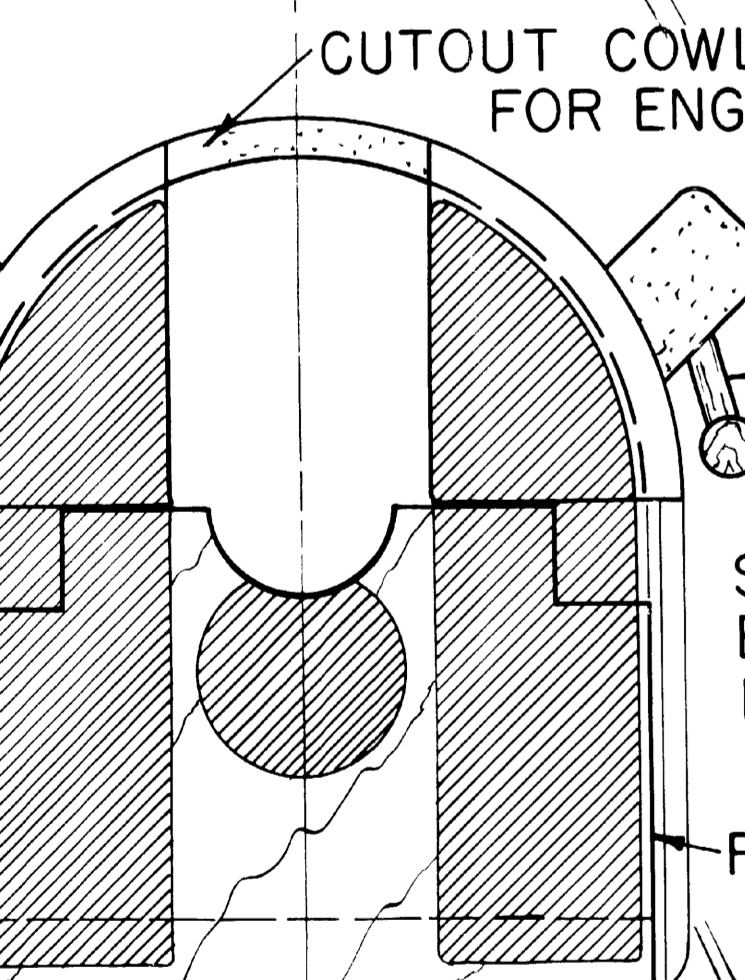
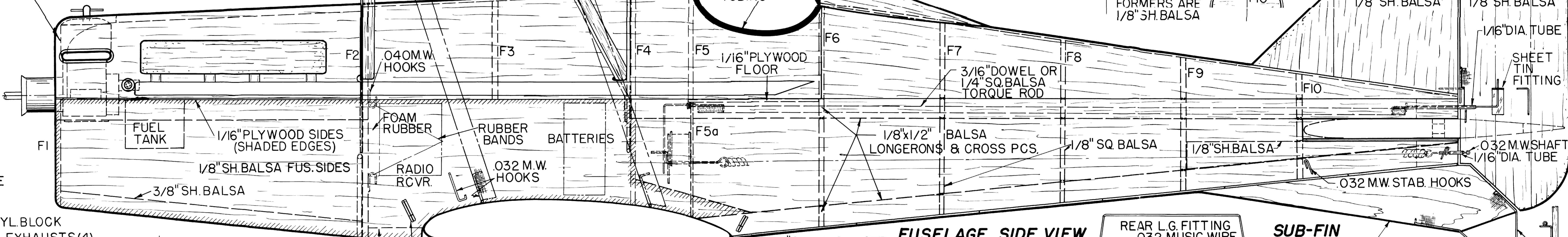
E.D. Mk. III DIESEL OR ANY .15 cu. in. ENGINE

WRAP STRUTS WITH SILK & COAT WITH CEMENT.

C.G.

SPLIT 3/16" DIA. RUBBER TUBING

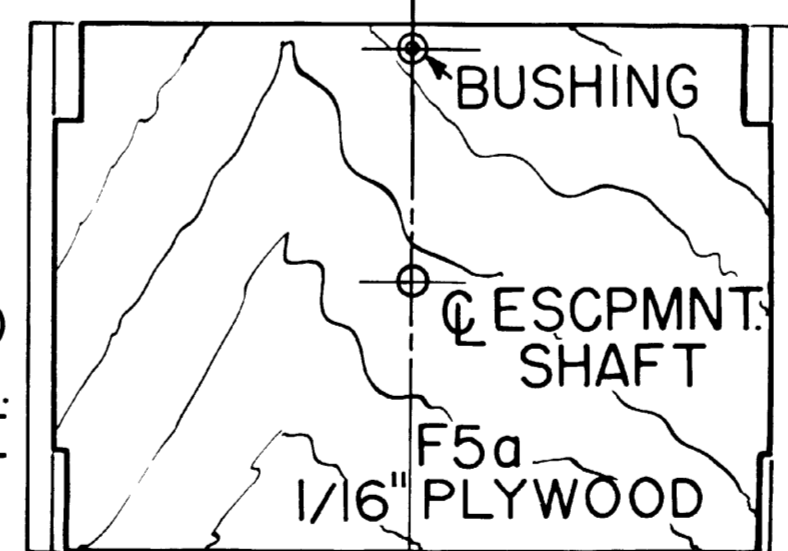
1"x1/8" Balsa HEADREST



1/8"x3/8" Balsa FAIRING

DOUBLED .040 M.W. WING HOOKS

TORQUE ROD FRONT FITTG. .032 MU. WIRE



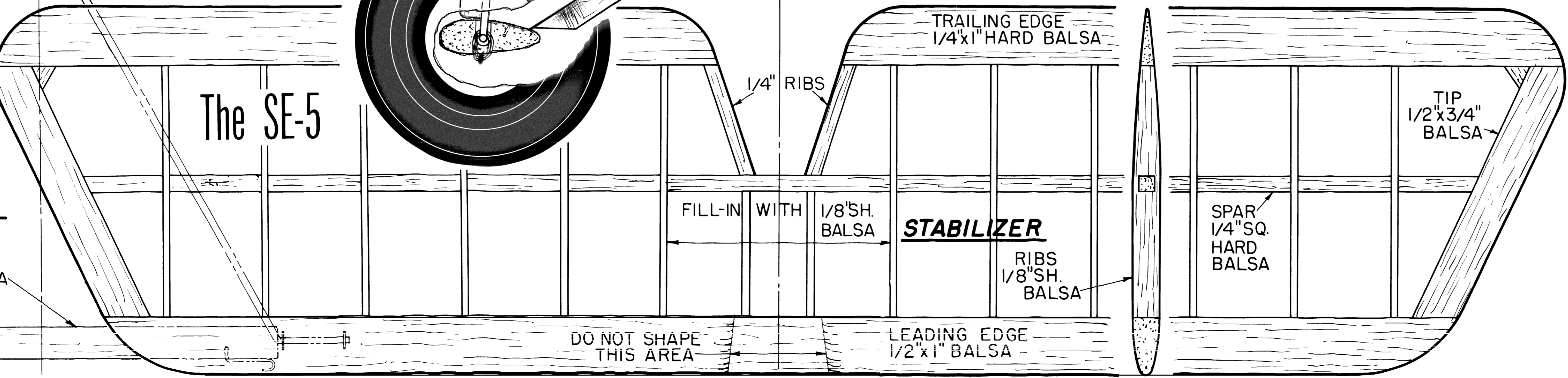
FUSELAGE SIDE VIEW

REAR L.G. FITTING .032 MUSIC WIRE

SUB-FIN
1/16" PLYWOOD

DWG. BY: *skystone*

RADIATOR
1/8" PLYWOOD



REPRODUCTION BY SKYSTONE

from **MODEL AIRPLANE NEWS**
551 FIFTH AVENUE • NEW YORK 17, N. Y.



GRAND CENTRAL STATION

The SE-5 Curtis Robin Hobby