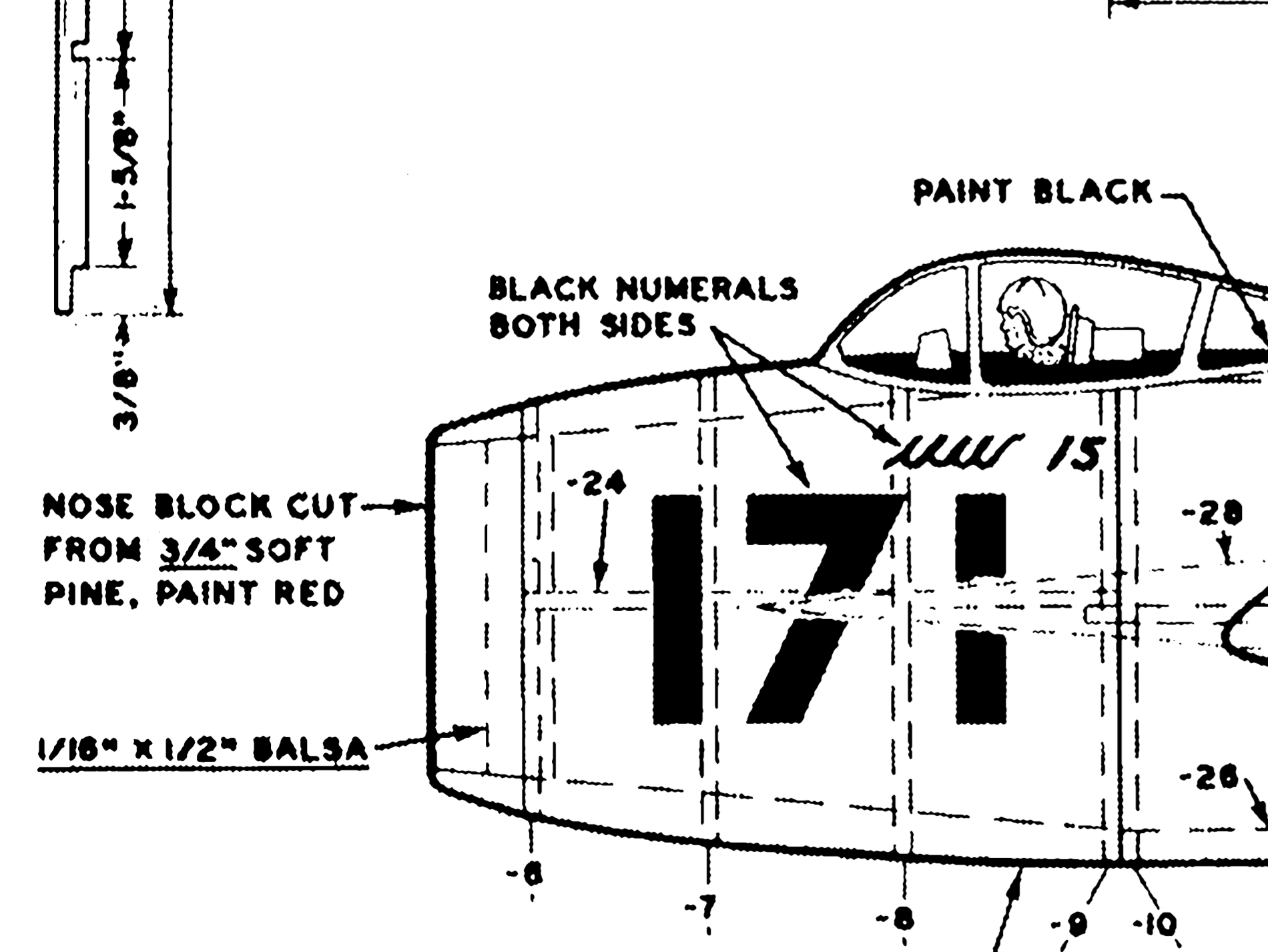
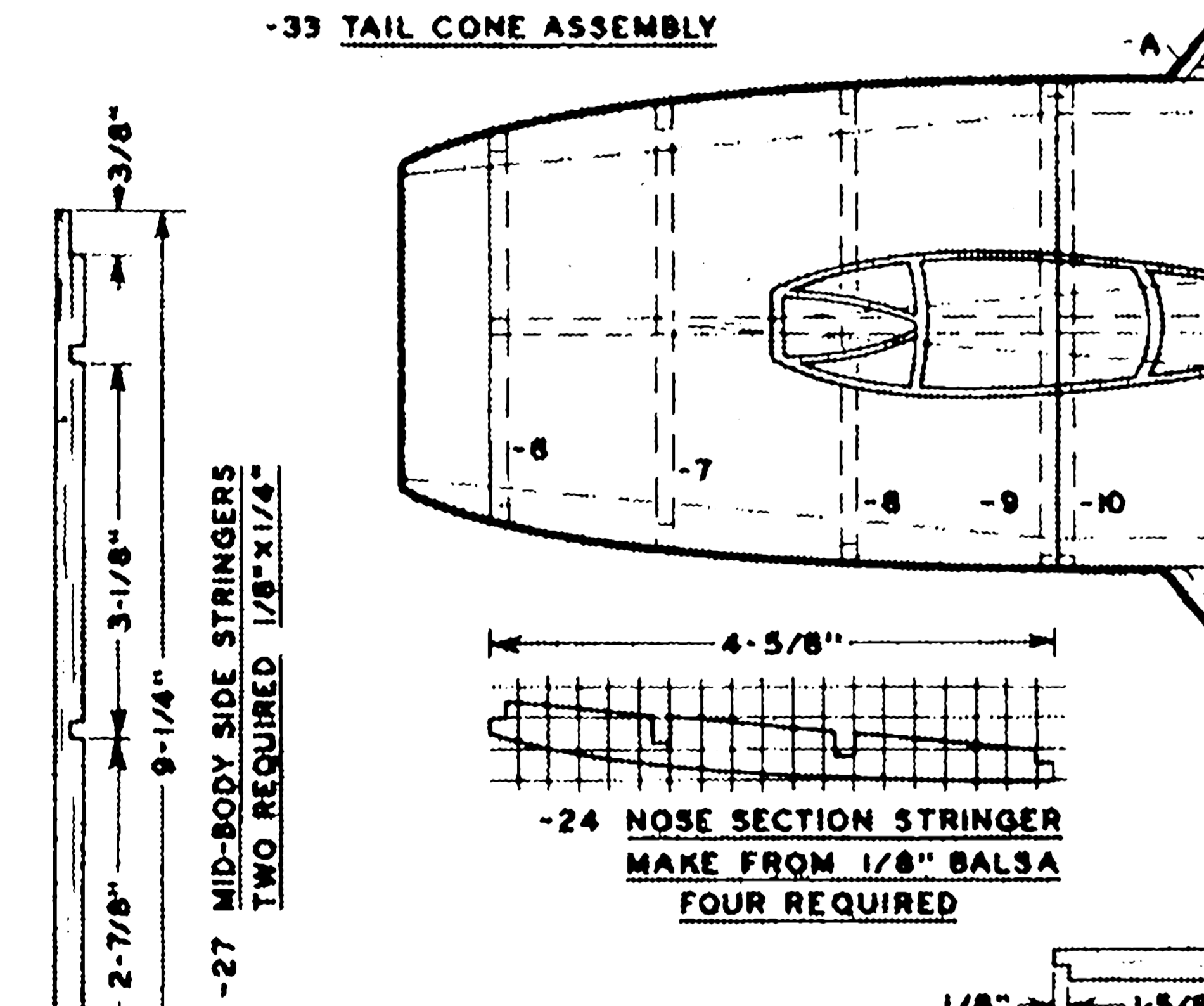
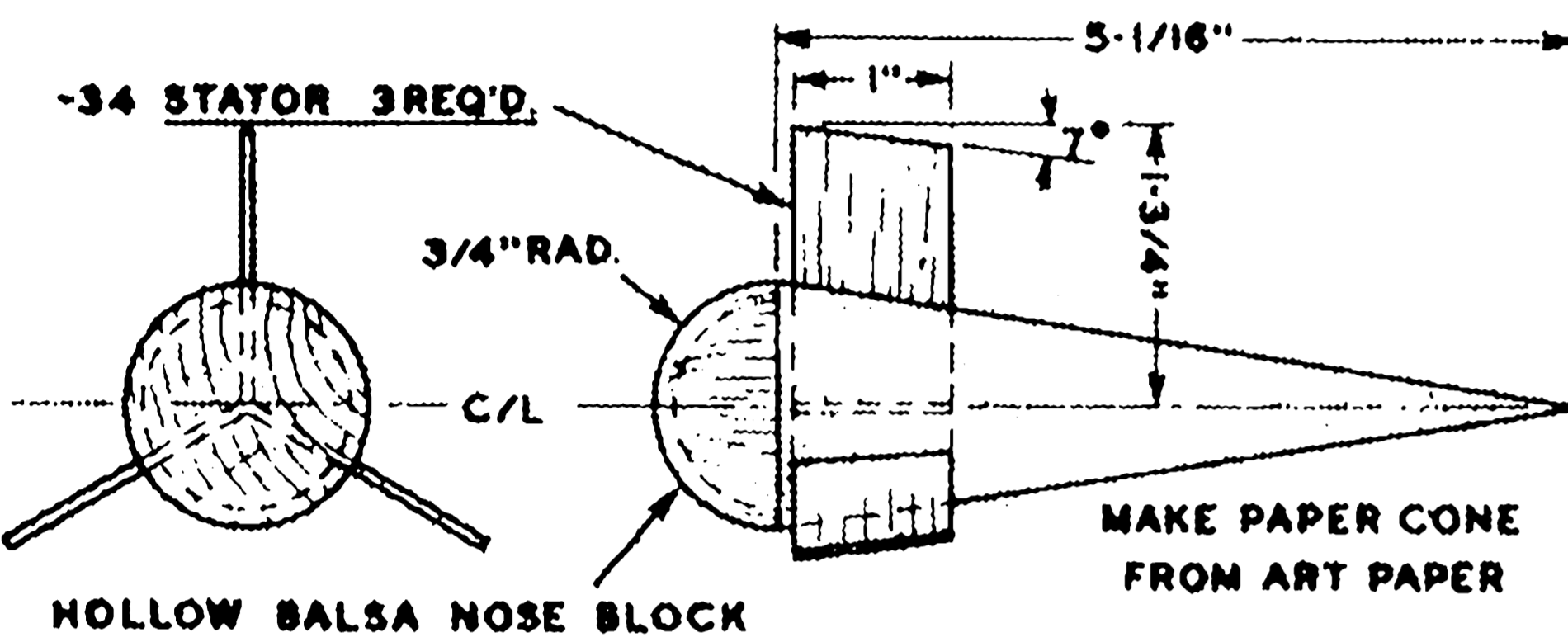
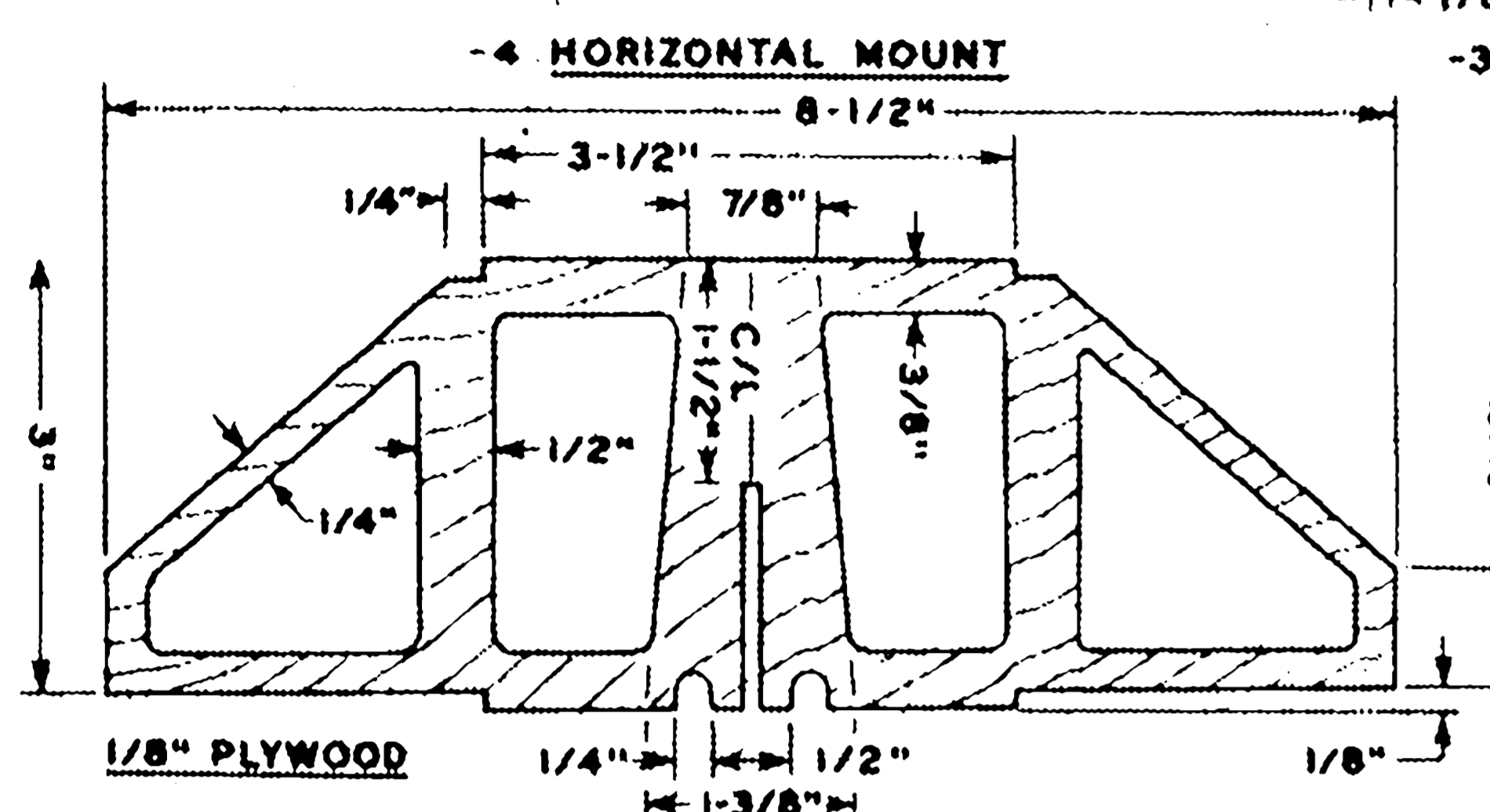
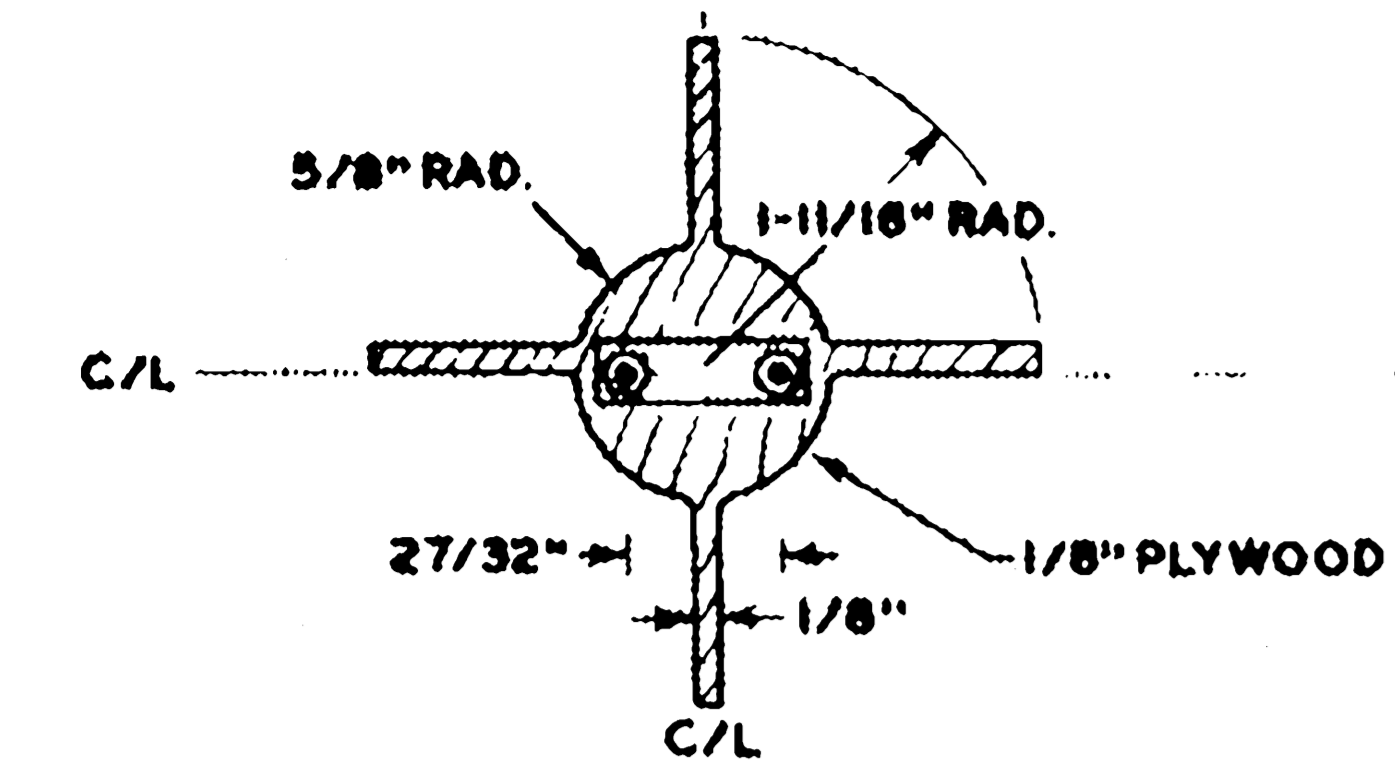
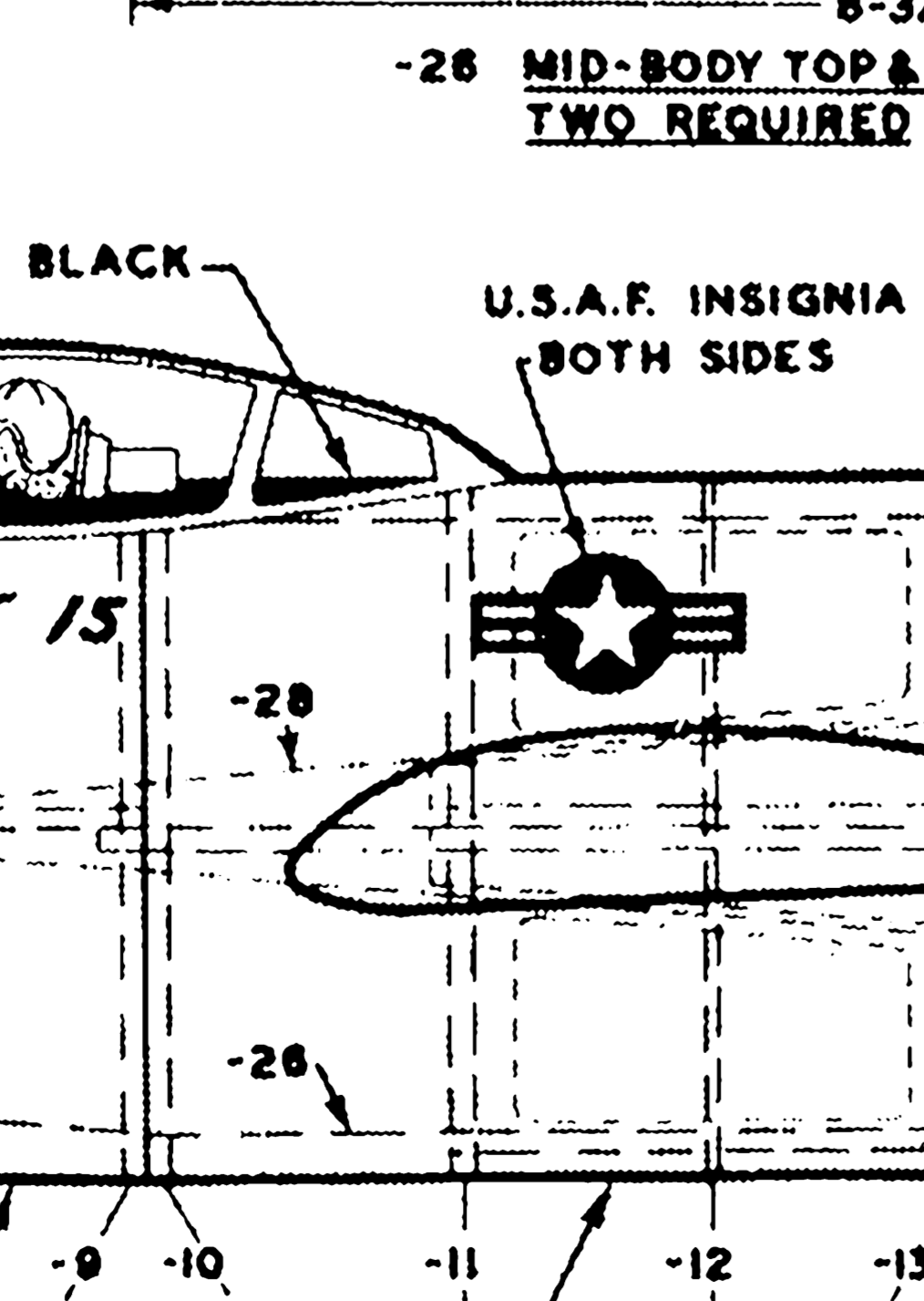
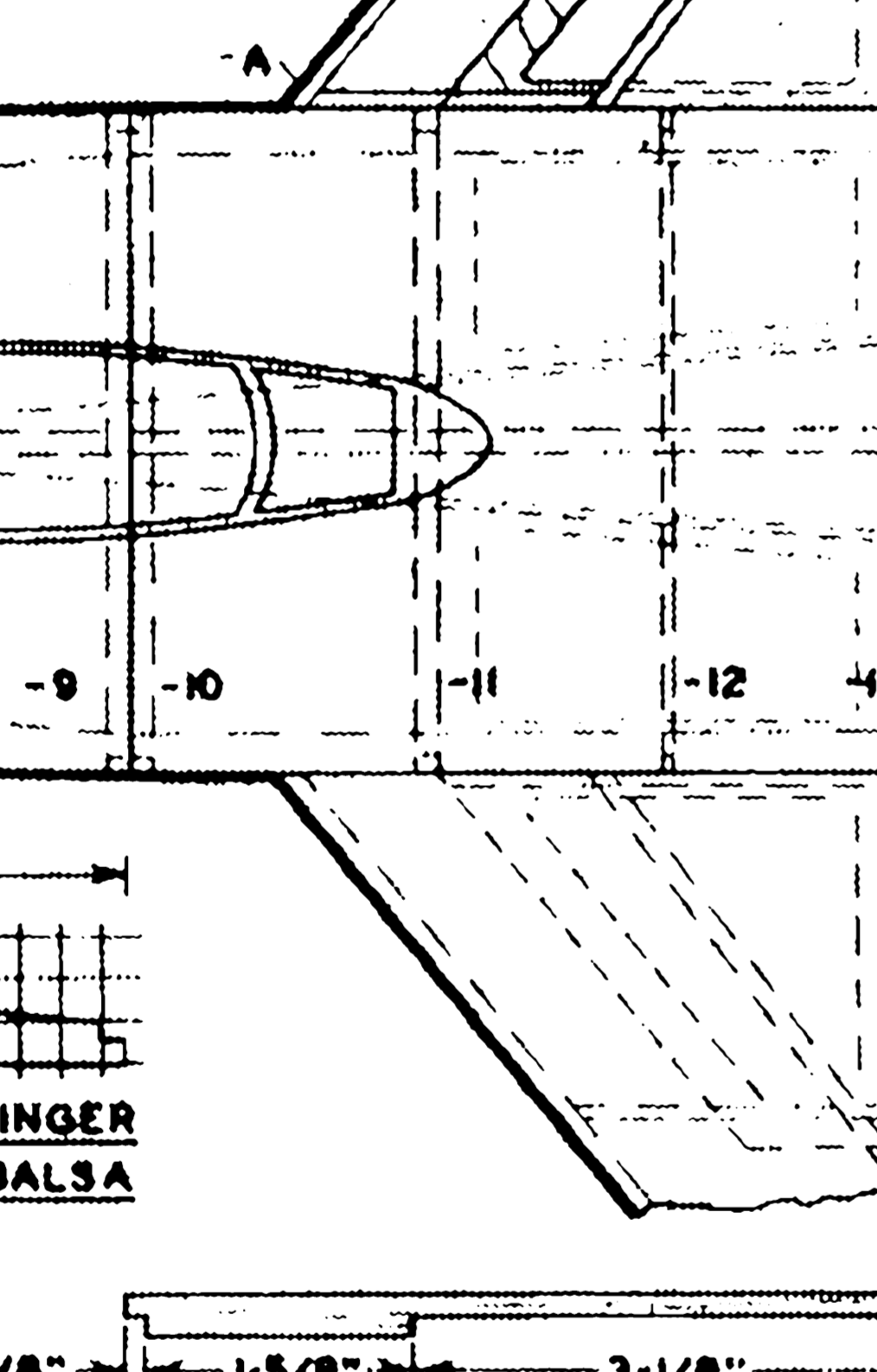
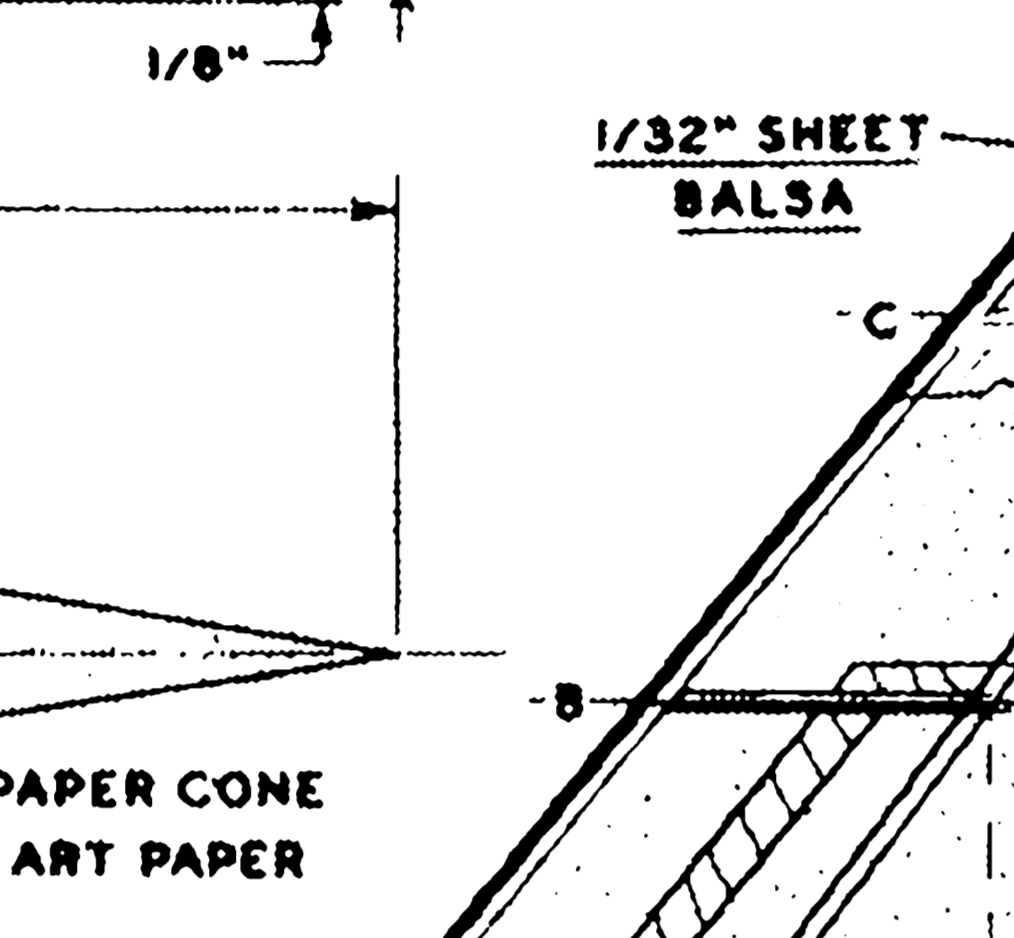
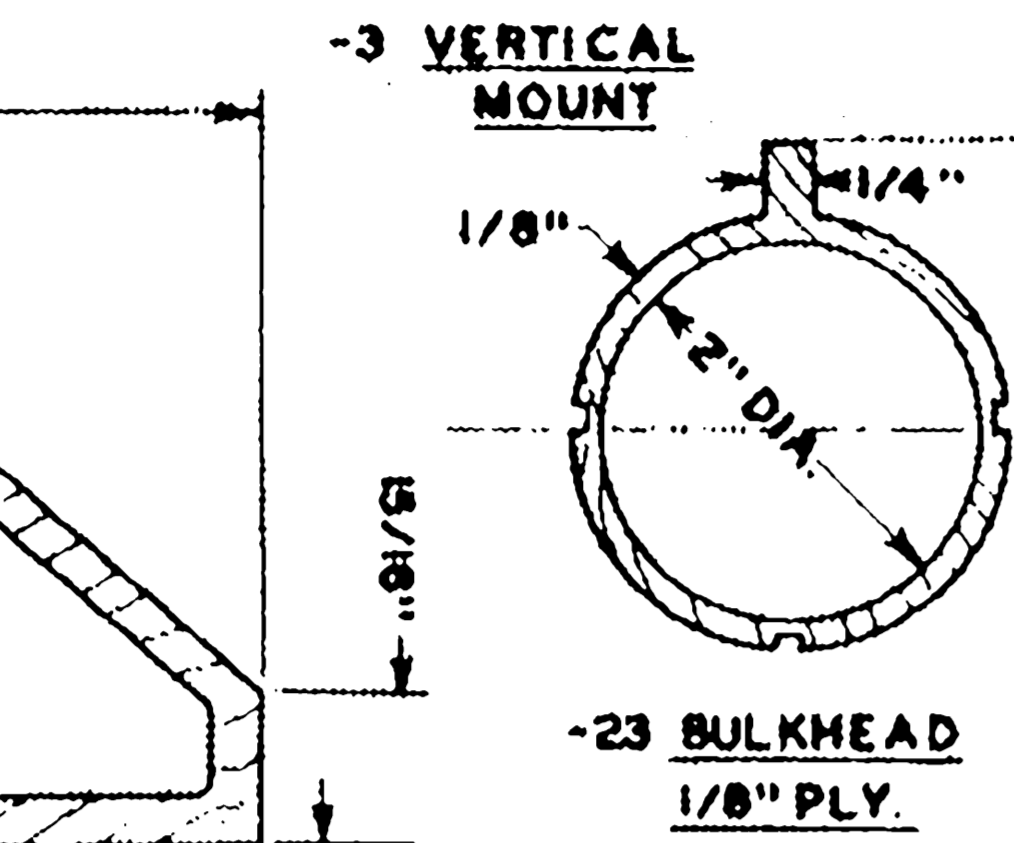
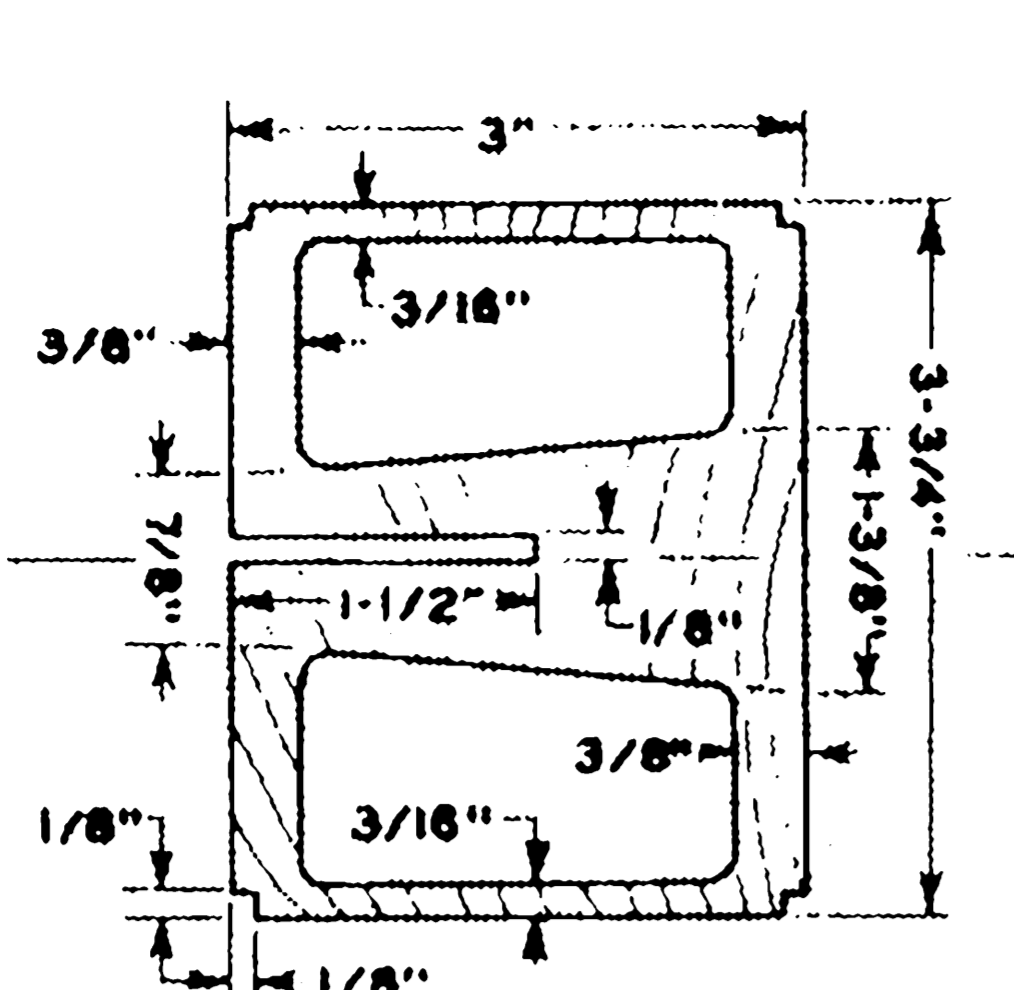


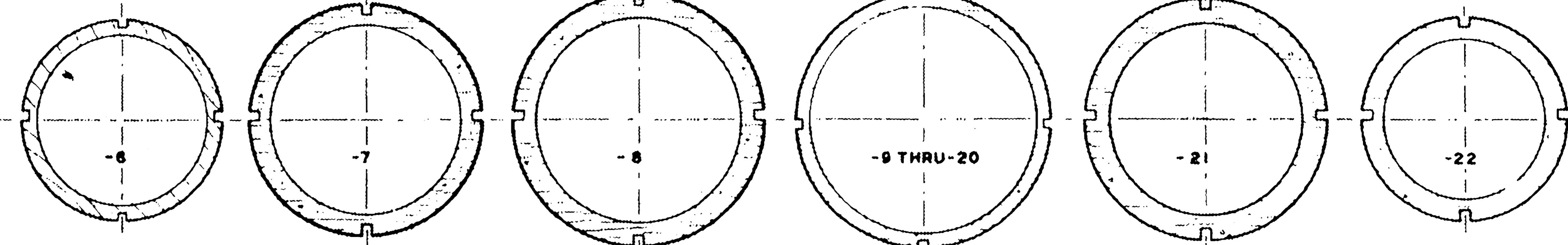
3-48 NUTS SOLDERED TO TIN STRIP TO MATCH ENGINE MOUNTING HOLES



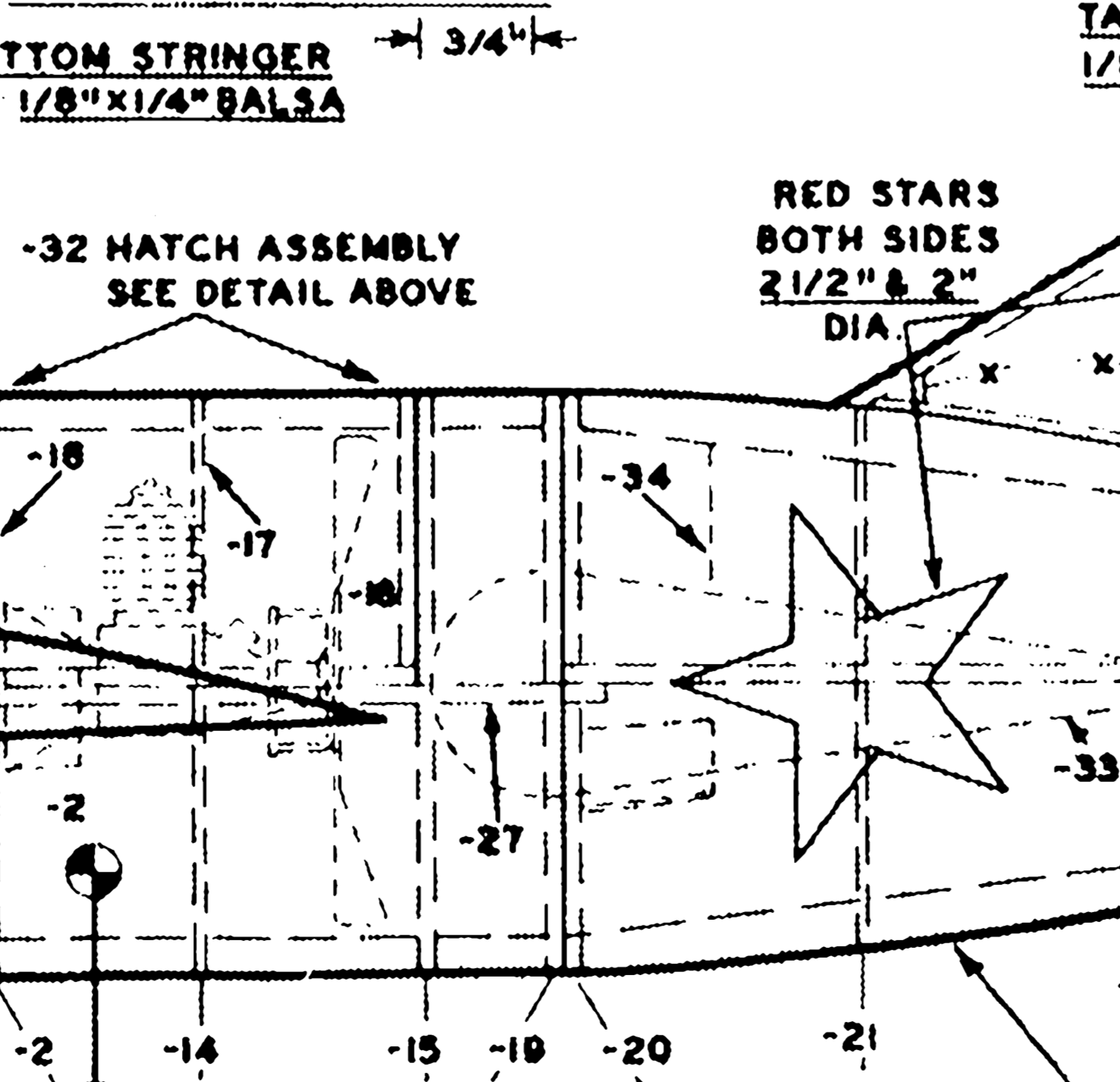
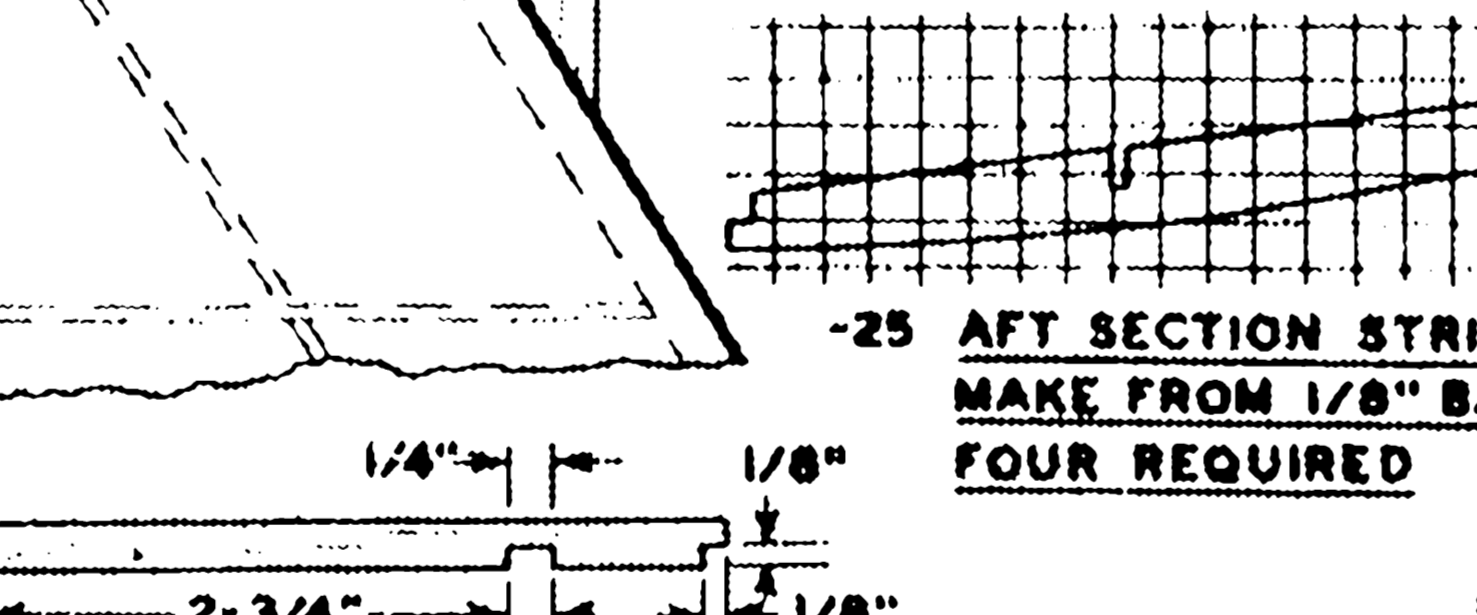
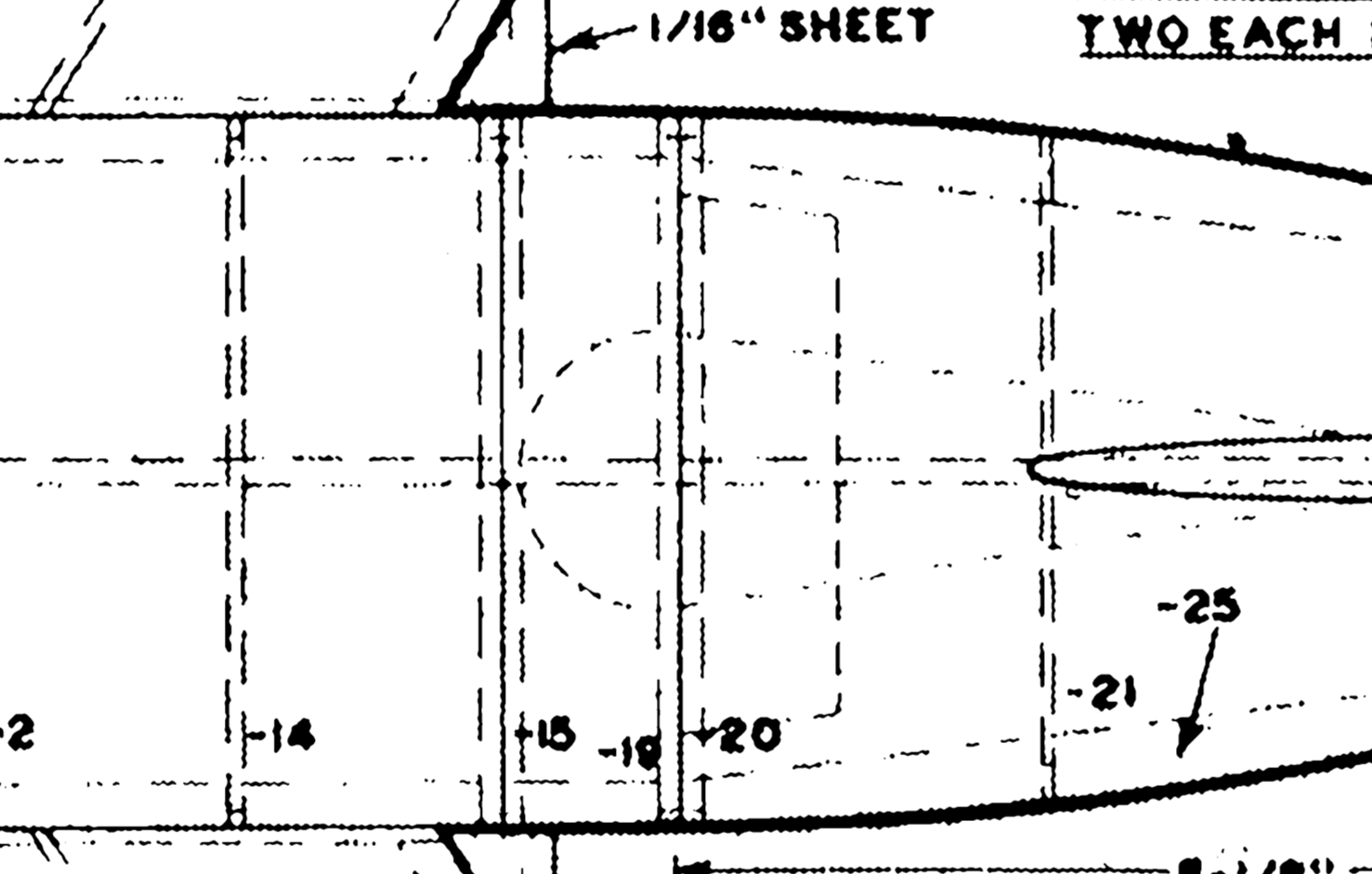
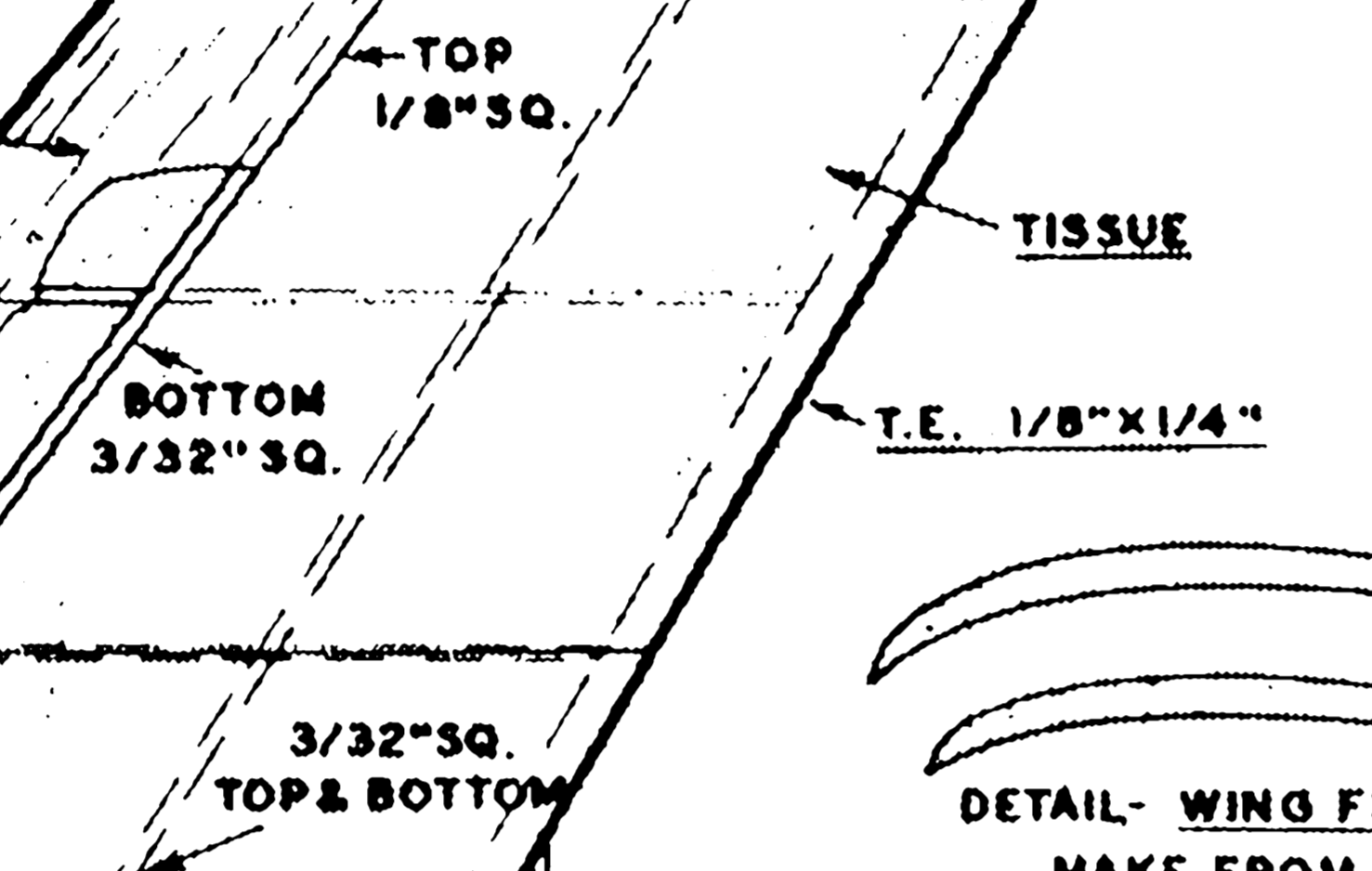
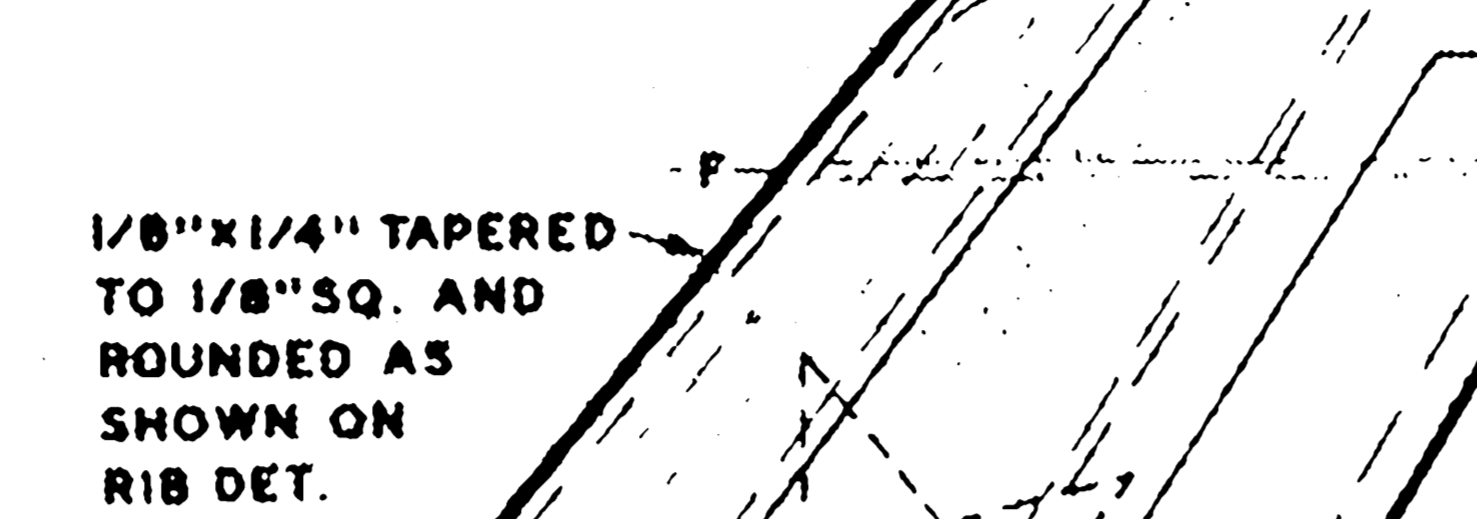
LINE INSIDE OF NOSE WITH ART PAPER
PLANK OUTSIDE WITH 1/16\"/>



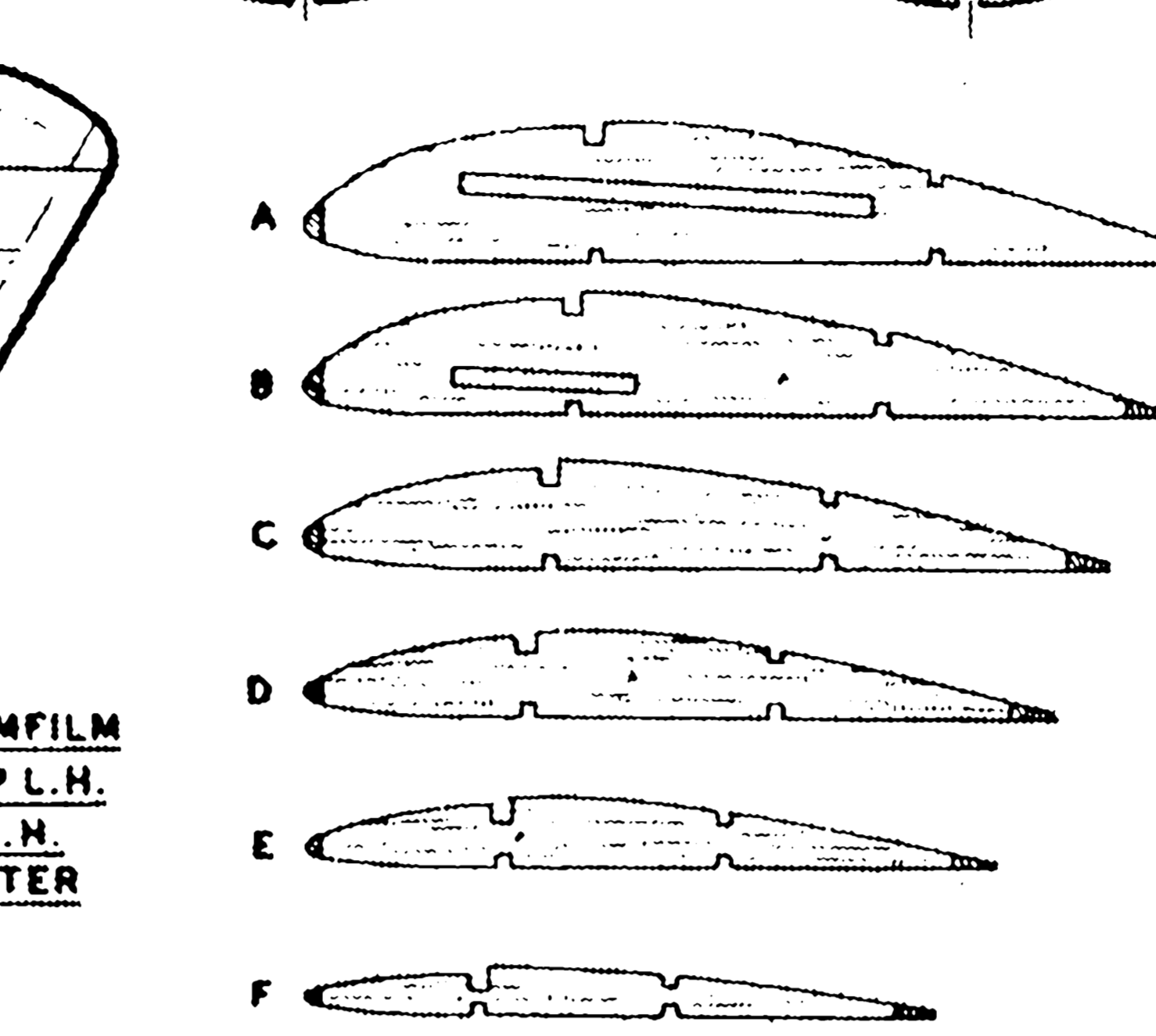
LINE INSIDE OF MID-BODY WITH 1/84\"/>



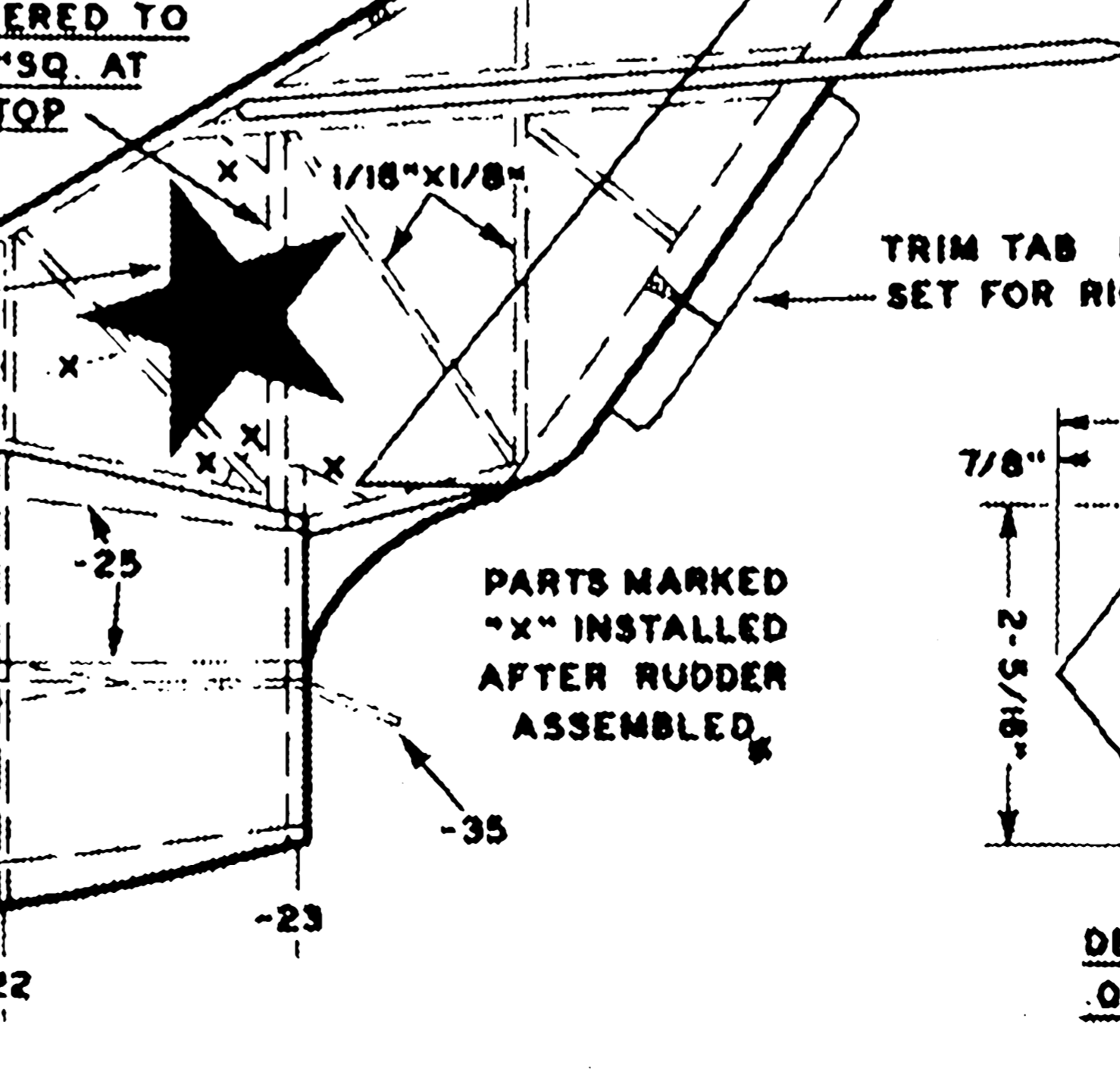
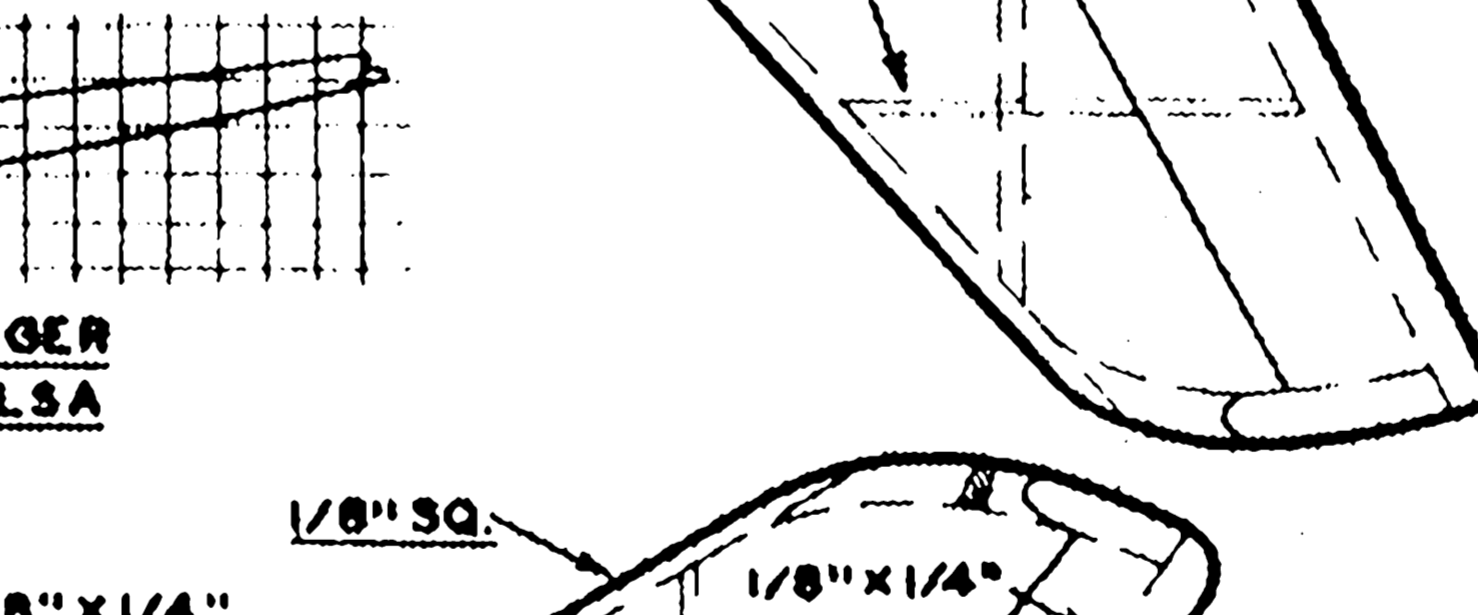
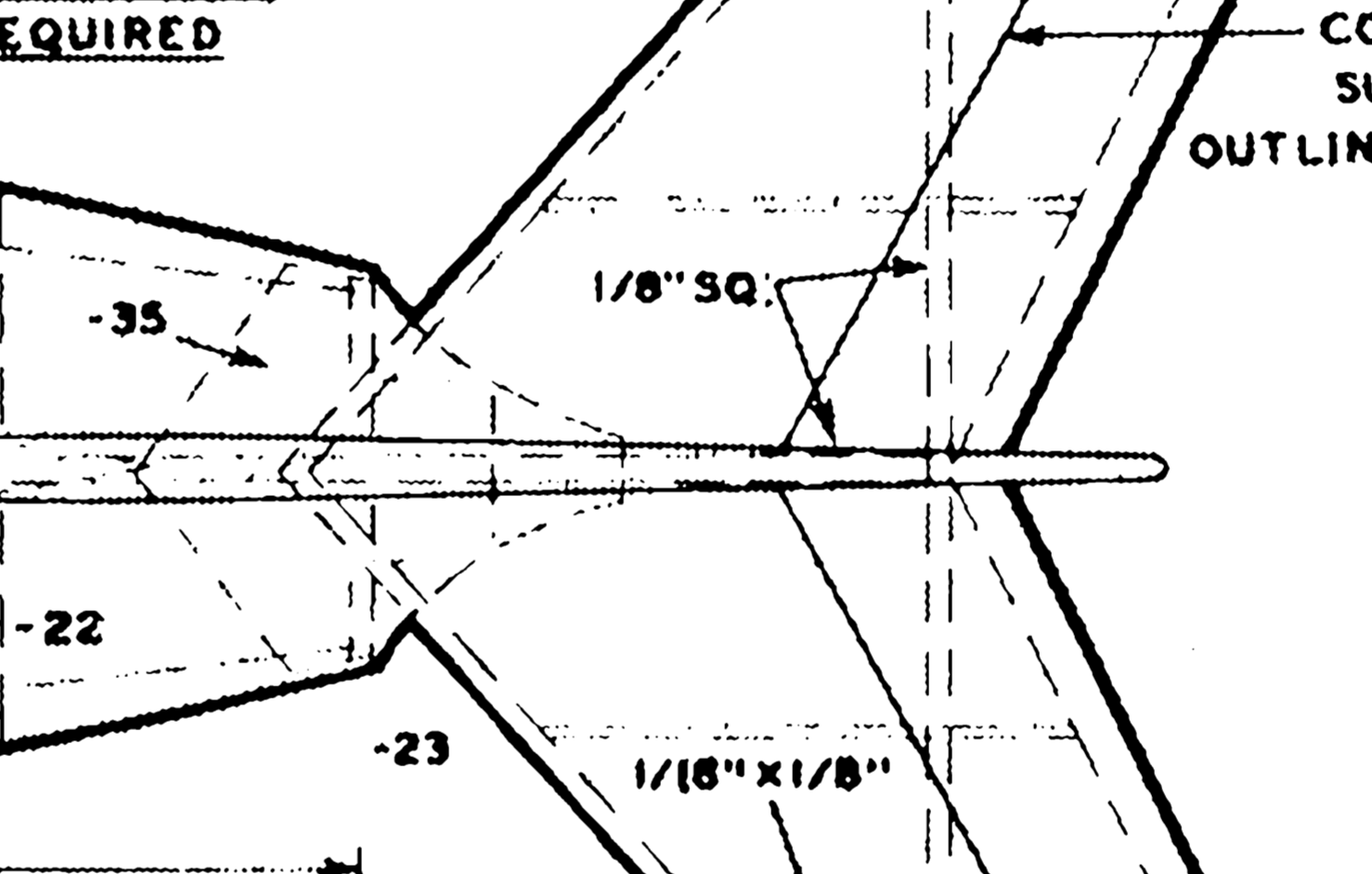
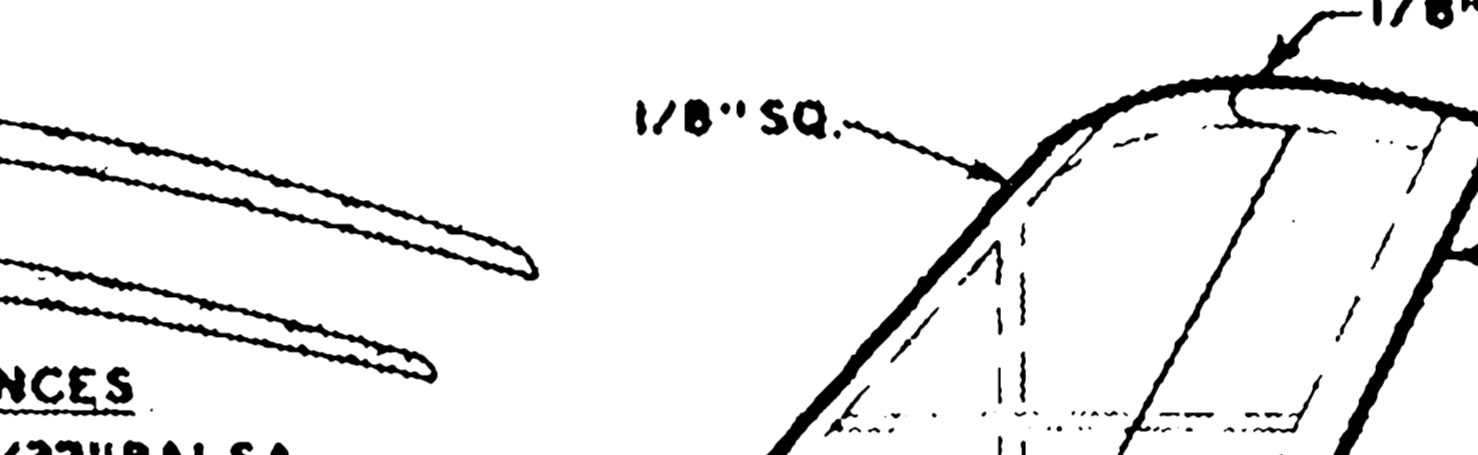
CUT FROM 3/32\"/>



LINE INSIDE OF AFT SECTION WITH ART PAPER
PLANK OUTSIDE WITH 1/16\"/>



WING ROOT RIB ANGLE TEMPLATE SCRAP BALS



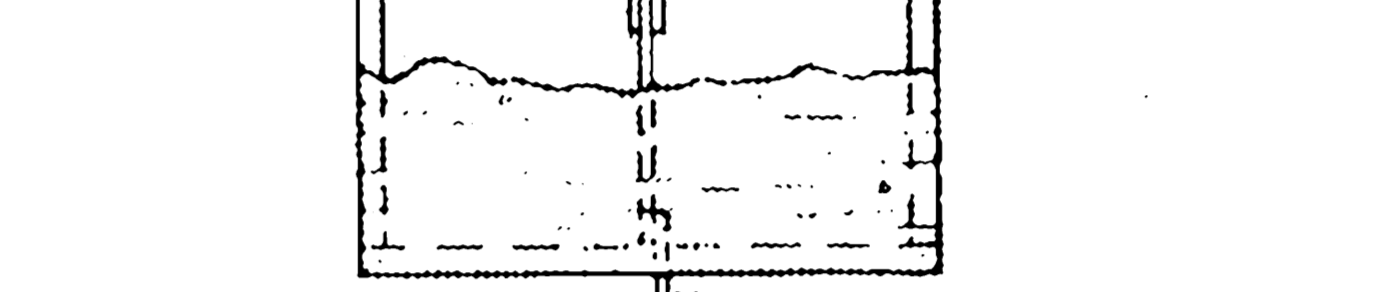
LINE INSIDE OF AFT SECTION WITH ART PAPER
PLANK OUTSIDE WITH 1/16\"/>

NOTE: -6, -13, -15, -16 & -18 FROM 1/8\"/>

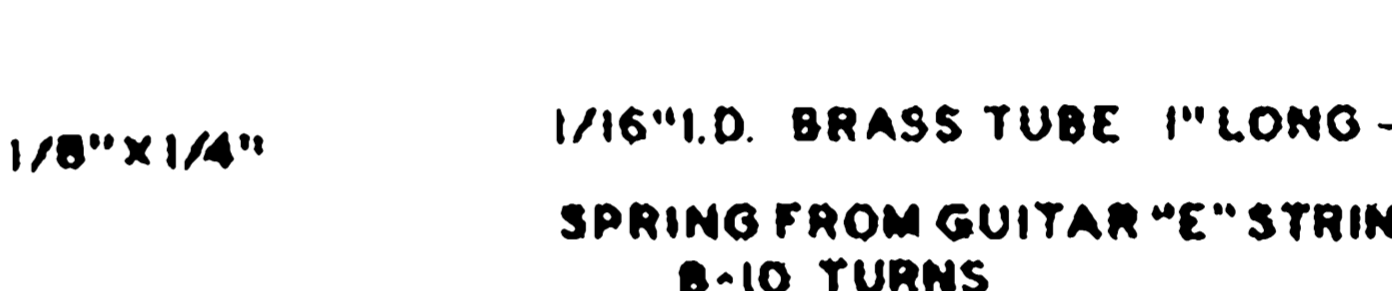
WING RIBS ALL 1/16\"/>



FAN DETAIL .020 ALUM.



-32 HATCH ASSEMBLY AND LATCH DETAIL



MID-BODY STRUCTURE ASSEMBLY



PAPER CONE ASSEMBLY



DEFLECTOR .020 SOFT ALUM.



TRIM TAB 1/32\"/>



RED STARS BOTH SIDES 2 1/2\"/>



BLACK NUMERALS BOTH SIDES

NOTE: CHECK NOTCH POSITIONS REFERRING TO CENTER LINE

DRILL 12 HOLES 1/8\"/>

BLADE PITCH AT TIPS

FAN DETAIL .020 ALUM.

-32 HATCH ASSEMBLY AND LATCH DETAIL

1/16\"/>

1/16\"/>

1/16\"/>

1/16\"/>

1/16\"/>

1/16\"/>

1/16\"/>

1/16\"/>

1/16\"/>

1/16\"/>

1/16\"/>

1/16\"/>

1/16\"/>

RUSSIAN MIG-15

DUCTED FAN MODEL

BY: W. H. PAXTON

