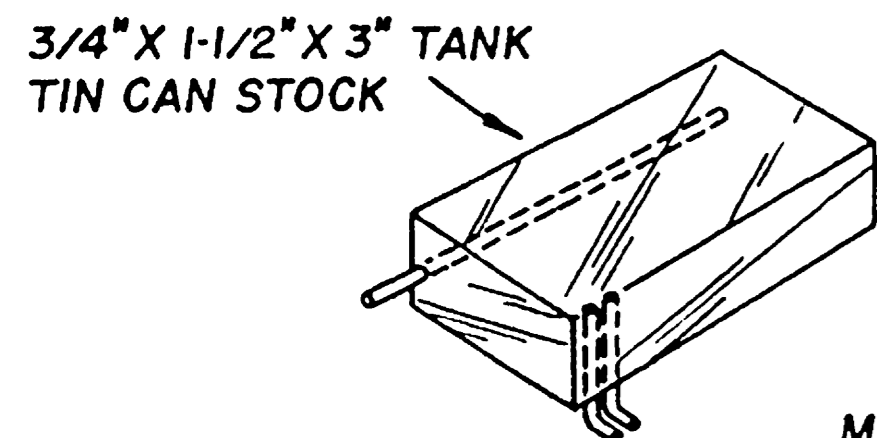
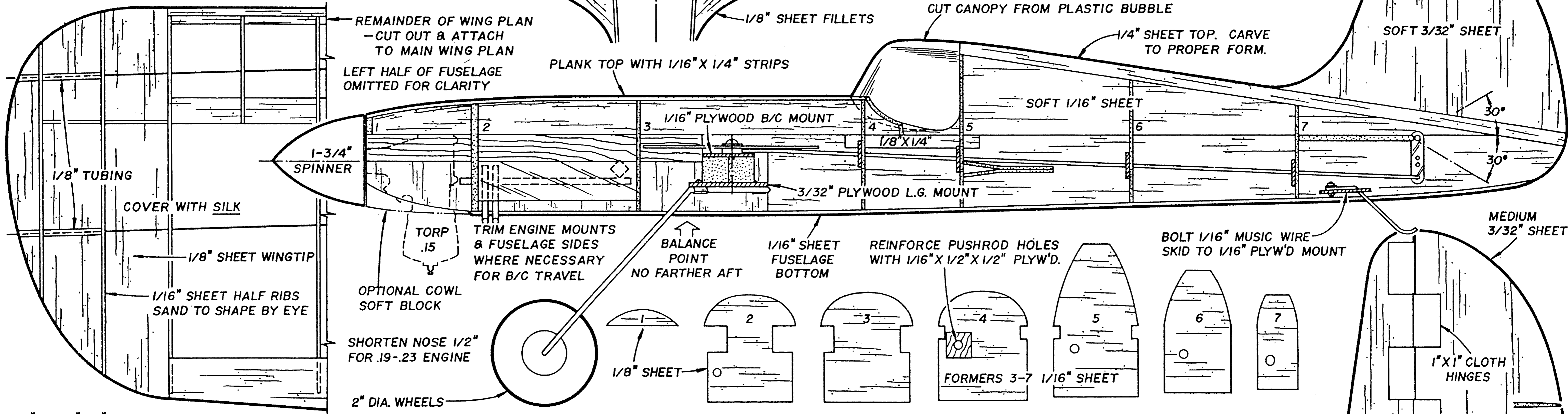
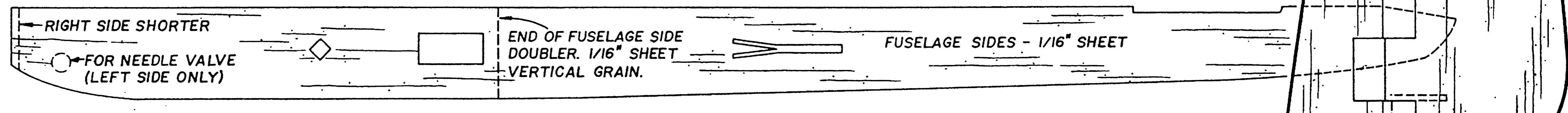


ALL WOOD IS Balsa UNLESS OTHERWISE NOTED



INCREASE TANK DEPTH 1/4" FOR .19-.23 ENGINE



LIL' DYNAMITE
 Full Stunt Controliner
 Designed & Drawn by Larry Scarinzi
 Drawn for MAN by Jerry Peck

