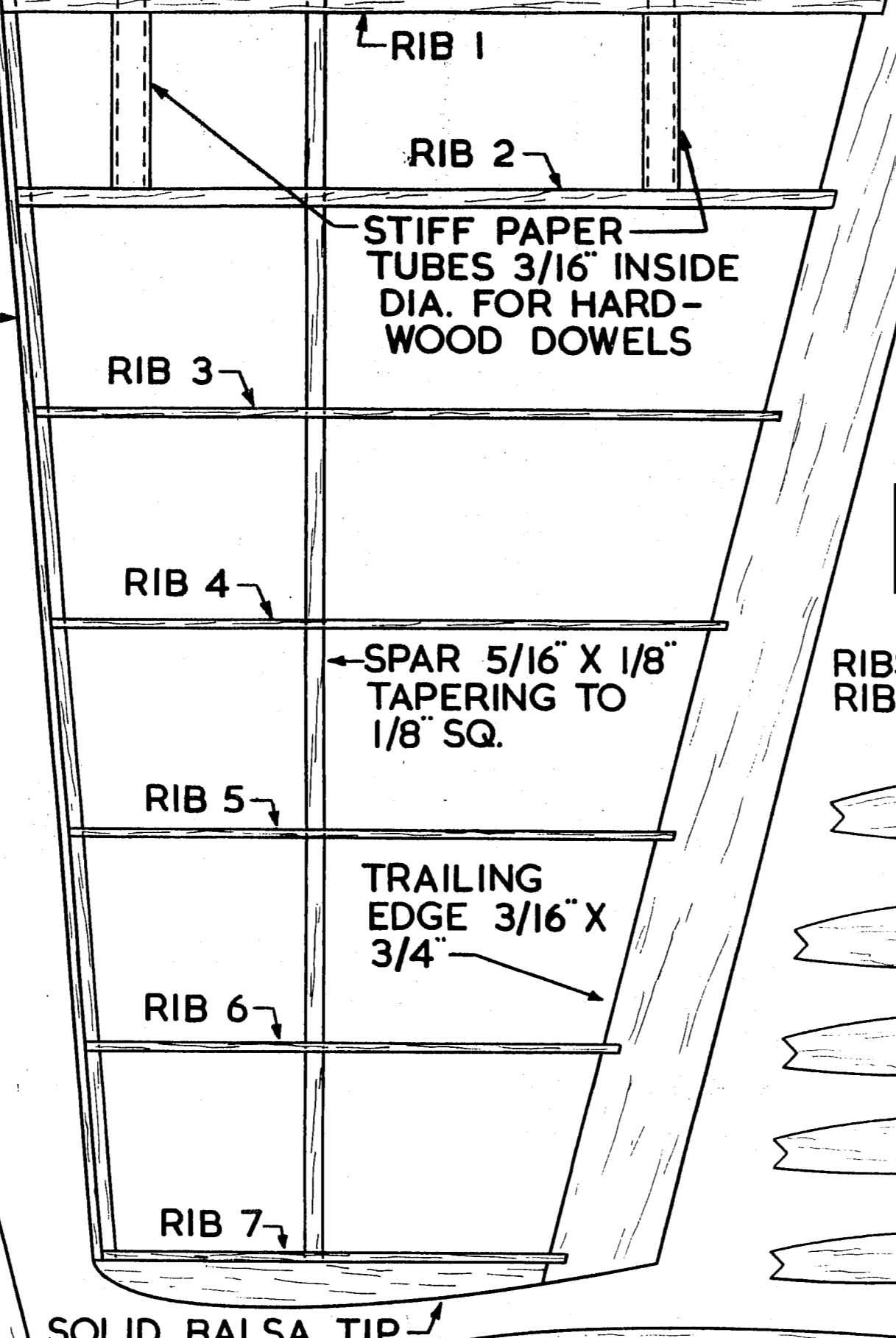
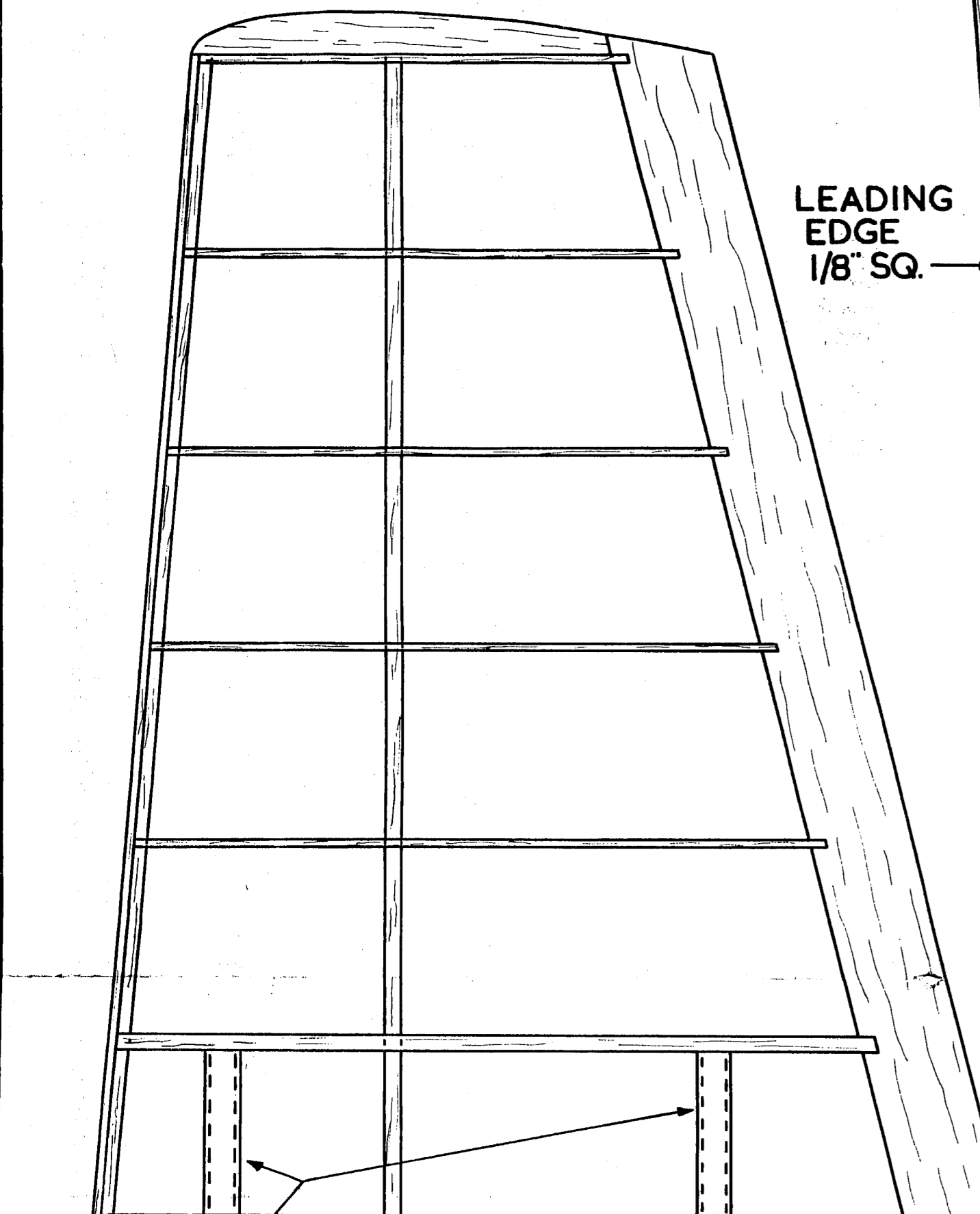
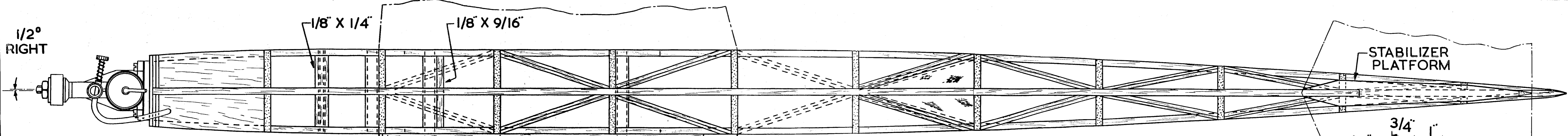
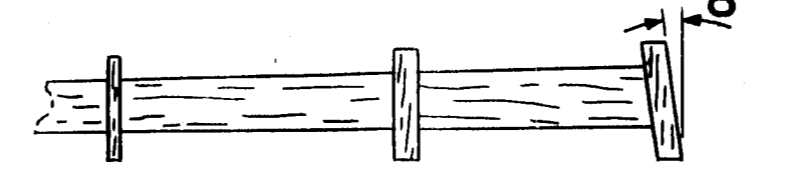


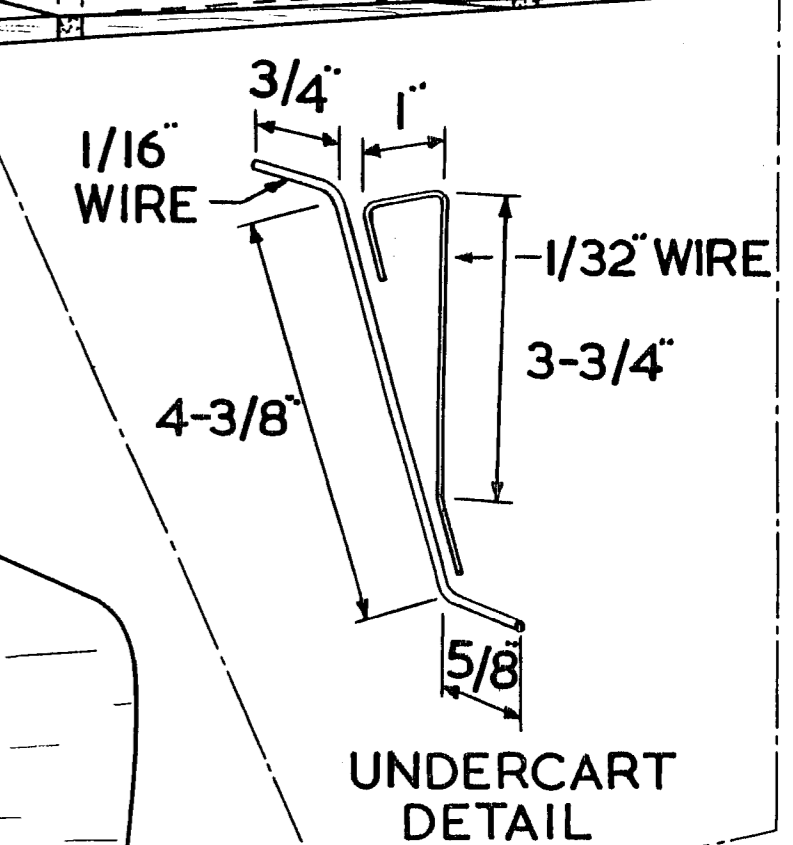
1/2° RIGHT



TILT RIB 1 AS SHOWN BELOW TO GIVE 1-5/16\"/>

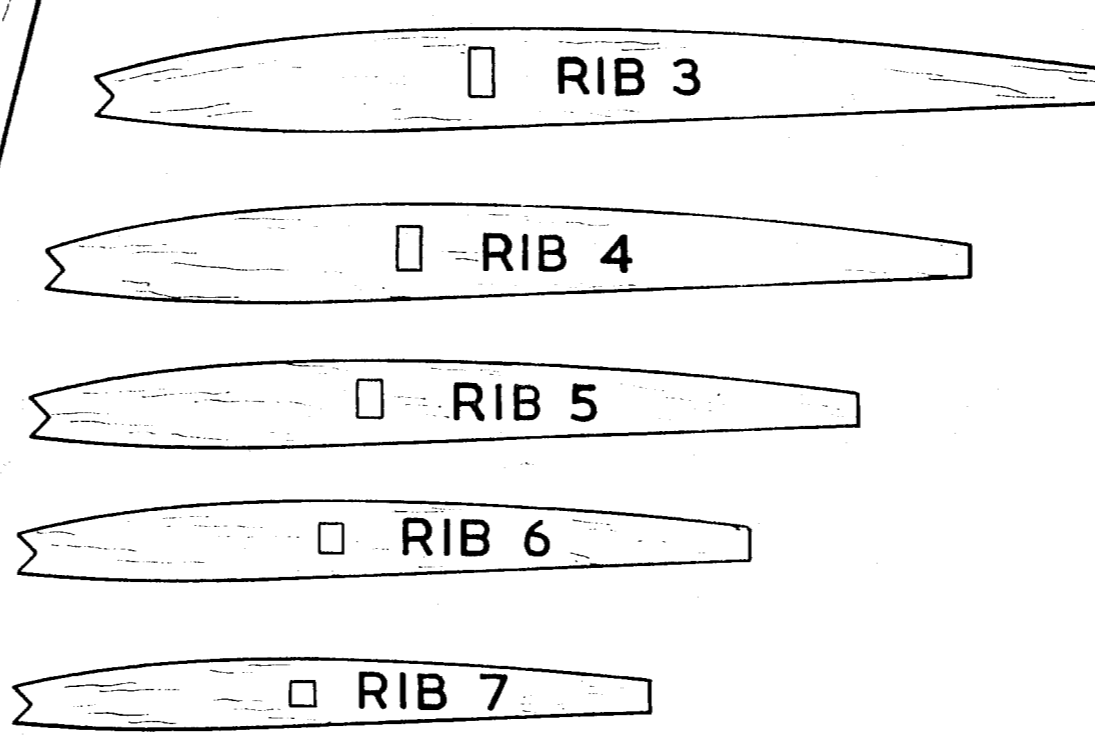


STABILIZER PLATFORM



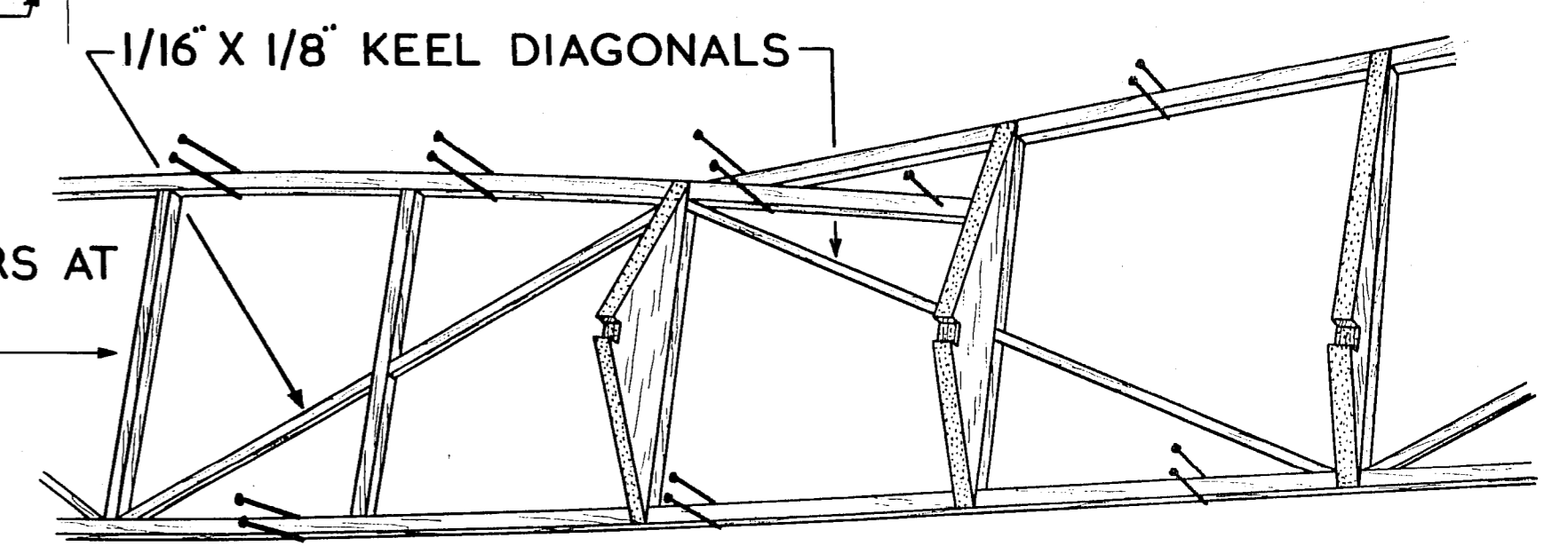
HUMDINGER

RIBS 1 & 2 ARE 1/8\"/>



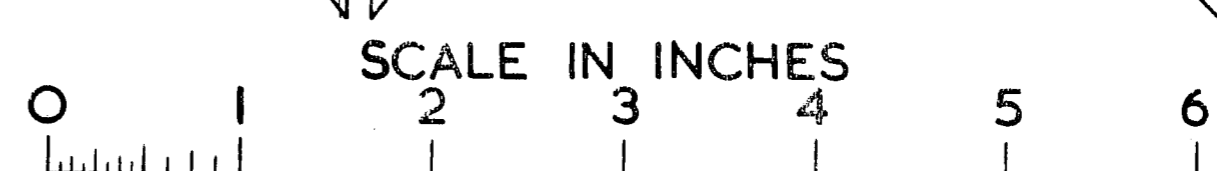
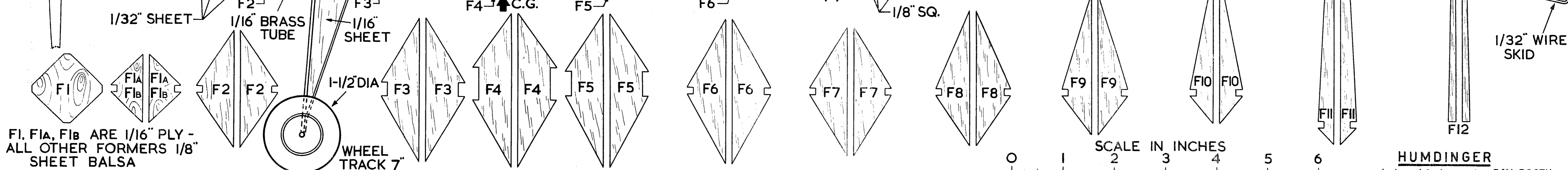
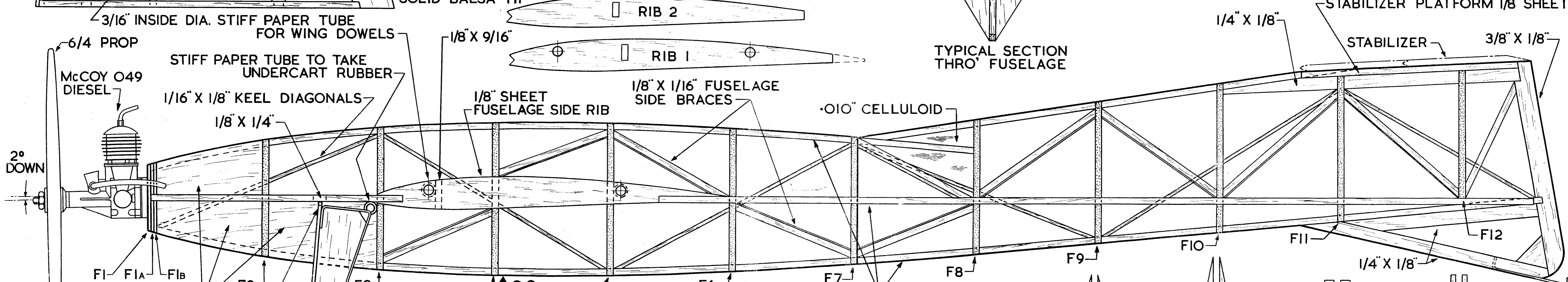
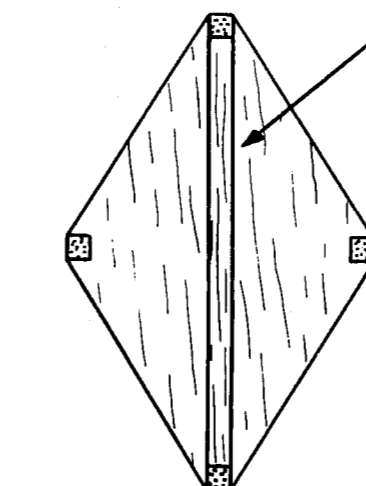
STABILIZER 1/8\"/>

1/16\"/>



CONSTRUCTION OF CENTER KEEL, SHOWING ATTACHMENT OF HALF-FORMERS (PORT SIDE) DURING ASSEMBLY OF FUSELAGE

TYPICAL SECTION THRO' FUSELAGE



HUMDINGER designed & drawn by RAY BOOTH