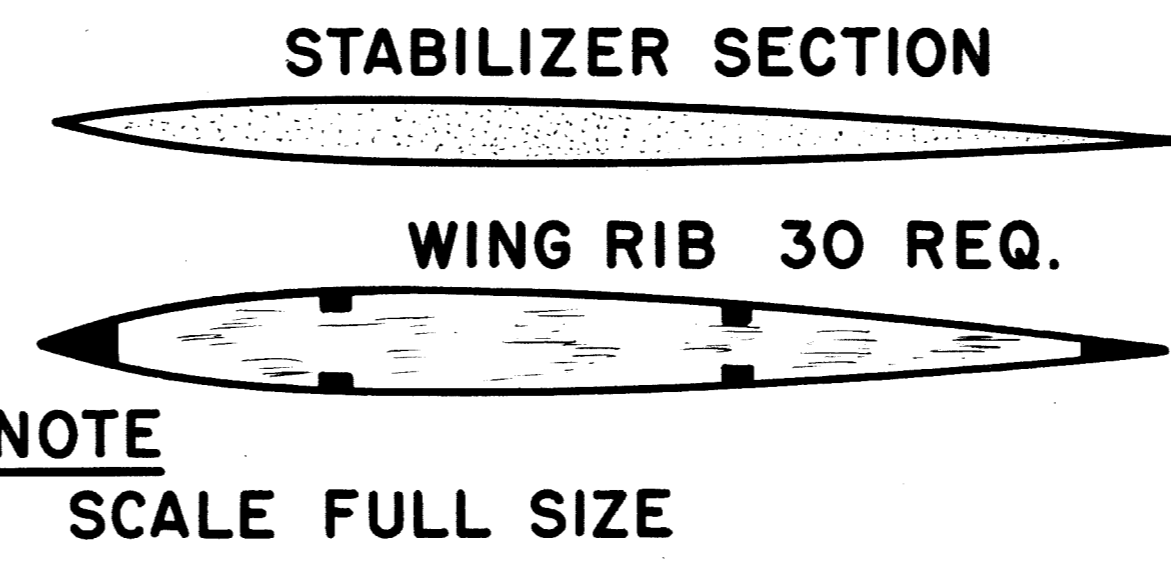
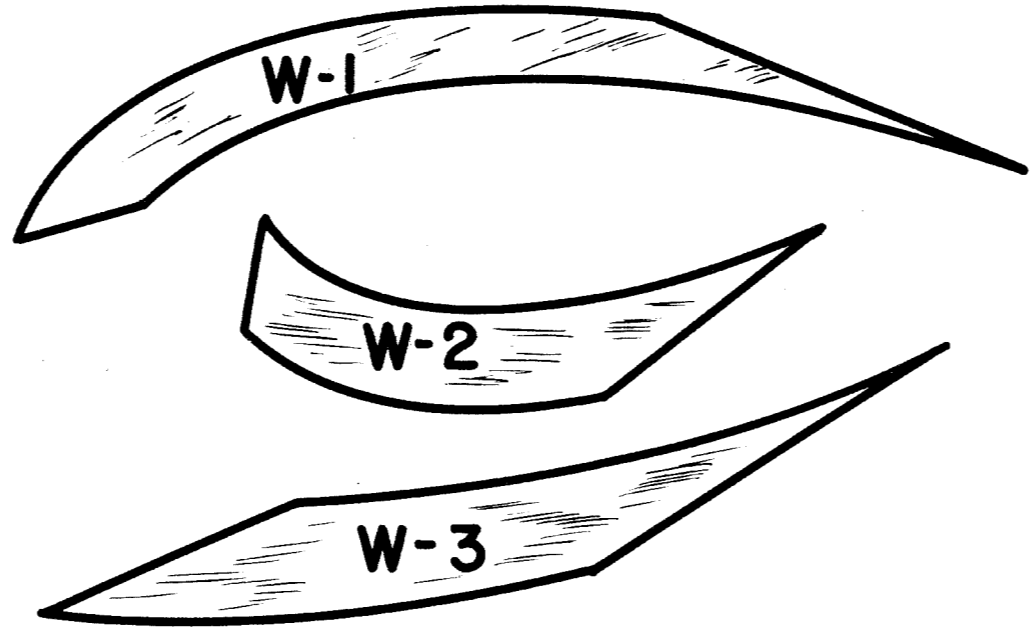


COVER LEADING EDGE WITH (C) STOCK

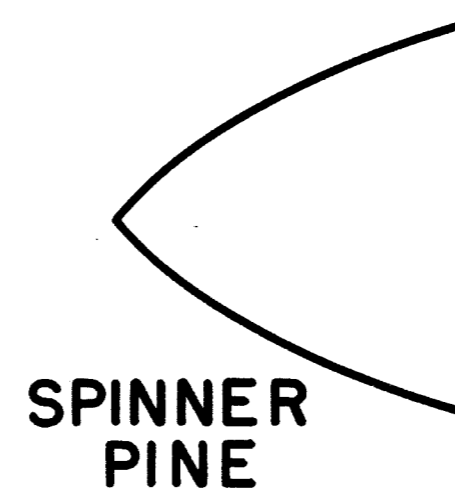


INK AILERON IN WITH RULING PEN

NOTE USE HARD Balsa UNLESS STATED.

DOUBLE FRONT FLYING WIRE

**NR2Y**



STABILIZER 1/4" SHEET Balsa

PINE STIFFENER

Balsa FAIRING

CRUTCH HARD Balsa

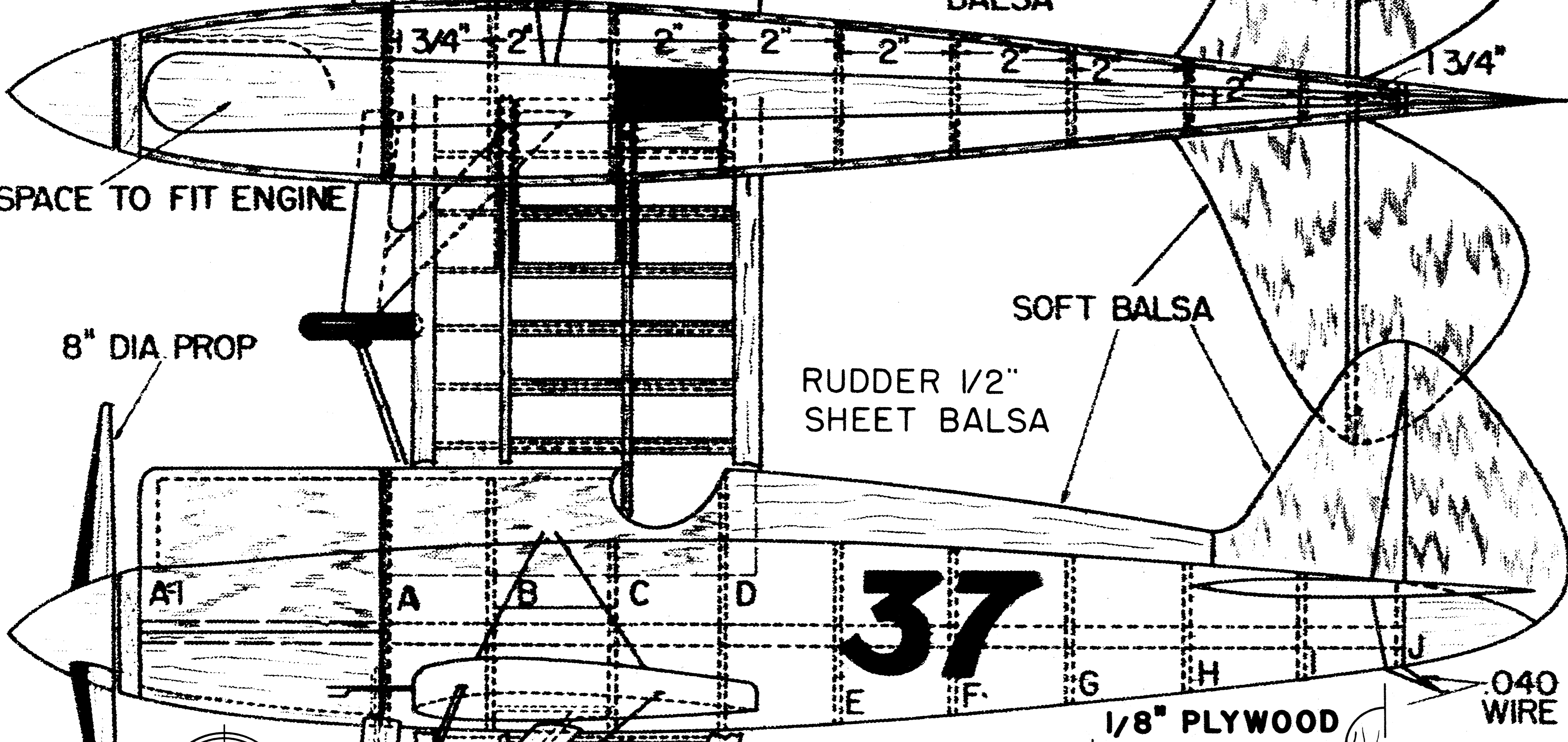
SPACE TO FIT ENGINE

8" DIA. PROP

SOFT Balsa  
RUDDER 1/2" SHEET Balsa

USE WOOD FILLER ON ALL Balsa PARTS. SAND WELL, ADD FILLER WHERE NEEDED. DOPE, LET DRY AND RESAND, REPEAT UNTIL A SMOOTH FINISH IS OBTAINED.

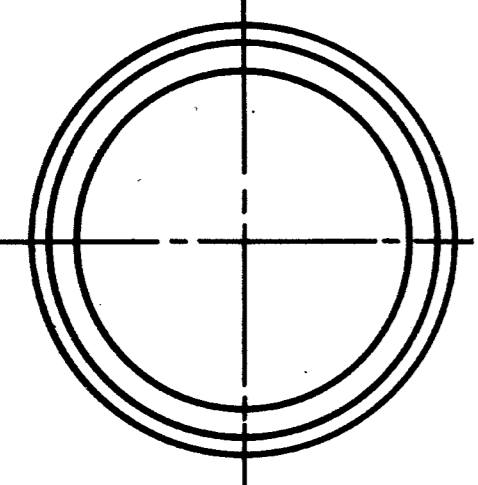
FLYING & LANDING GEAR RIGGING, THIN COPPER WIRE.



**37**

1/8" PLYWOOD

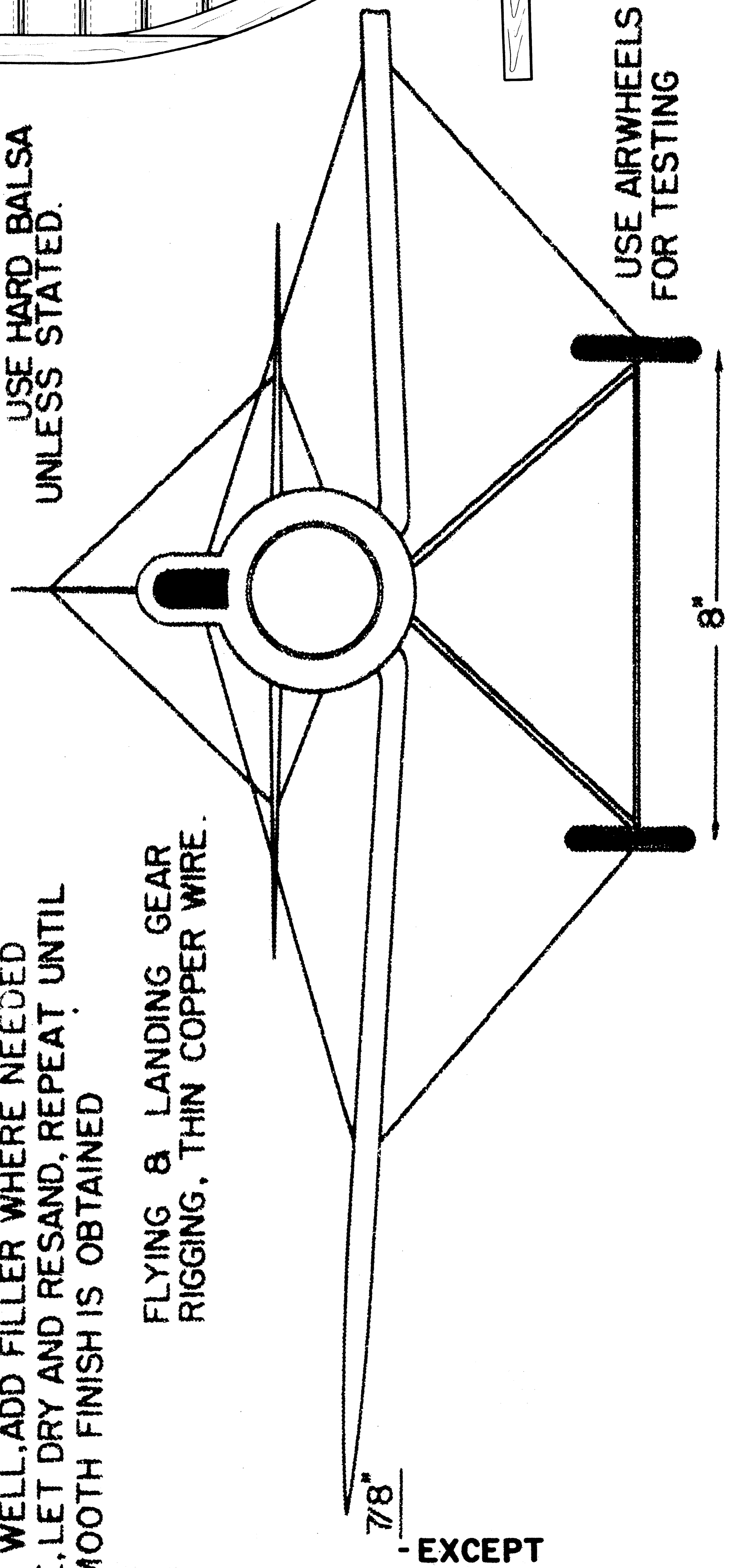
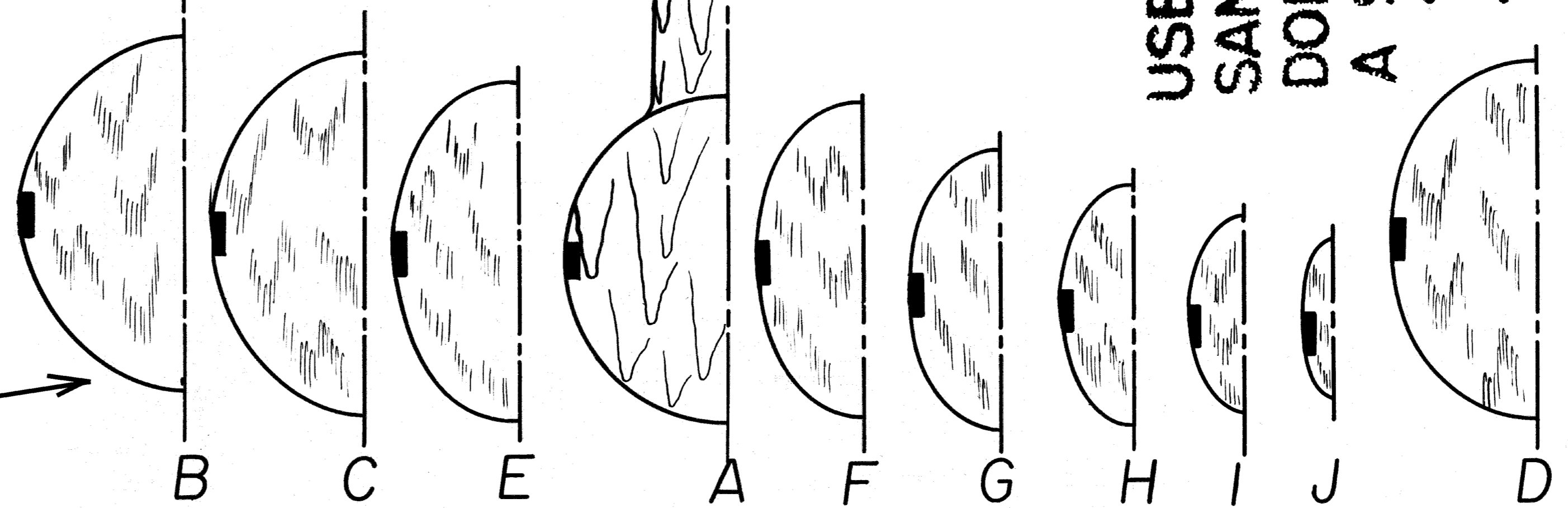
.040 WIRE



BULKHEAD (A-1) PINE

2 1/8" DIA.

CUT FROM 1/8" SHEET Balsa



**Ben O. Howard's Racer  
DGA-3**

SCALE - 1/4" = 1"  
SPAN - 30"  
L.O.A. - 27"  
POWER - .19-.29  
WEIGHT - 24 OZ.  
COLOR - ALL WHITE  
LETTERING - BLACK

F.V.B. EHLING