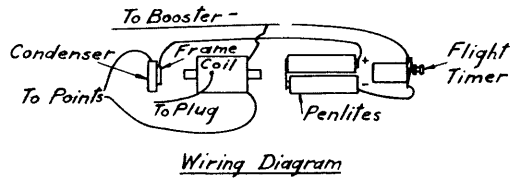
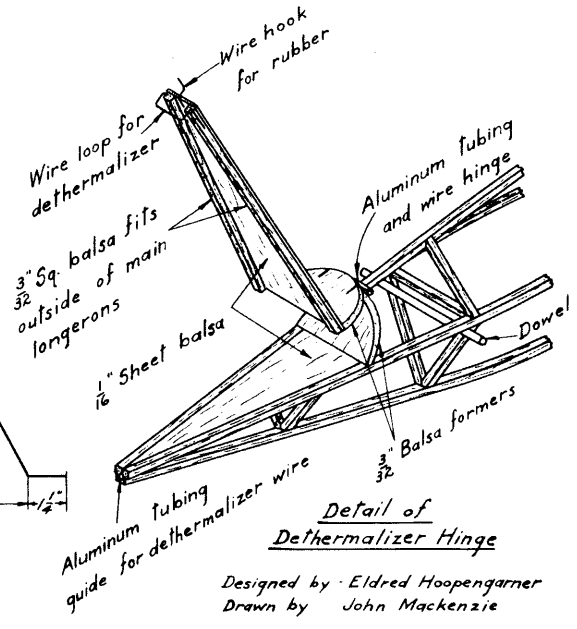
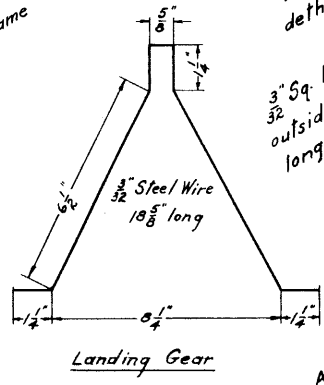
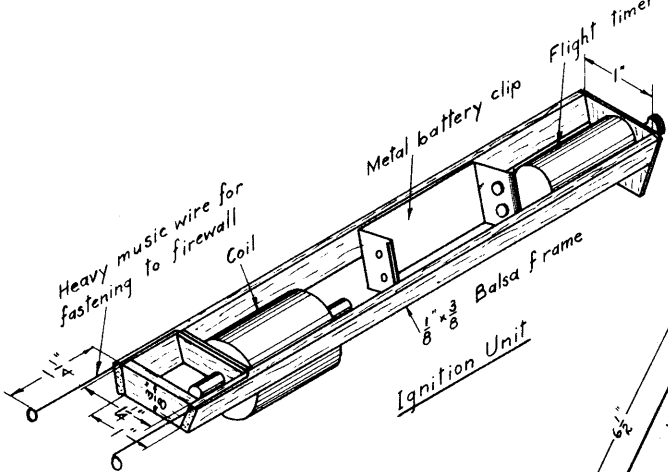
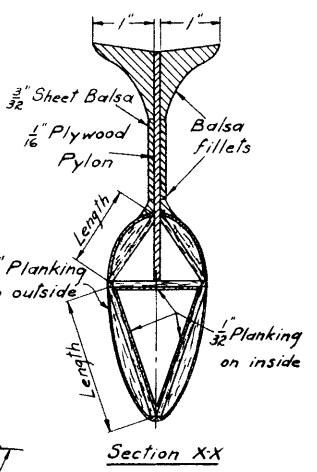
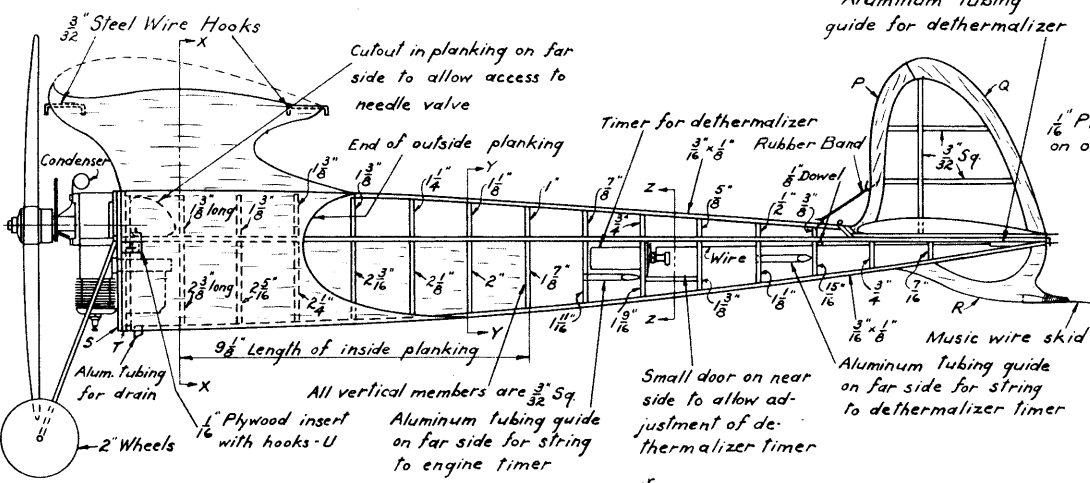
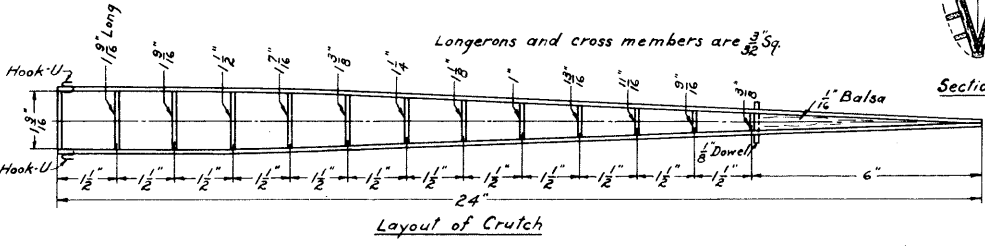
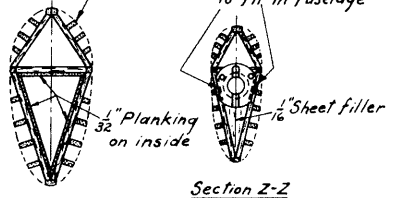


All stringers to be $\frac{1}{4} \times \frac{1}{16}$ sanded to shape shown after assembly

Stabilizer
Flange of timer to be filed off on sides to fit in fuselage



Designed by Eldred Hoopengartner
Drawn by John Mackenzie

