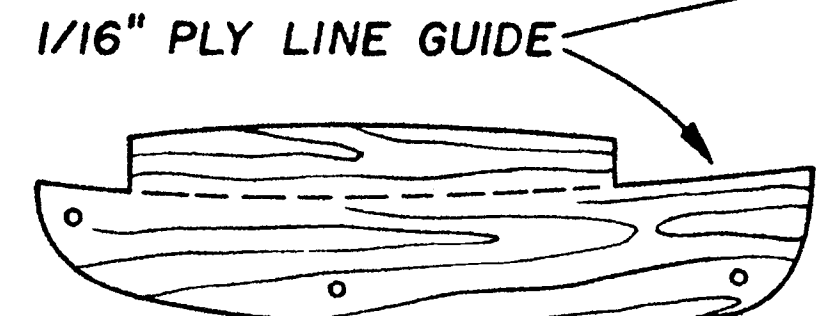
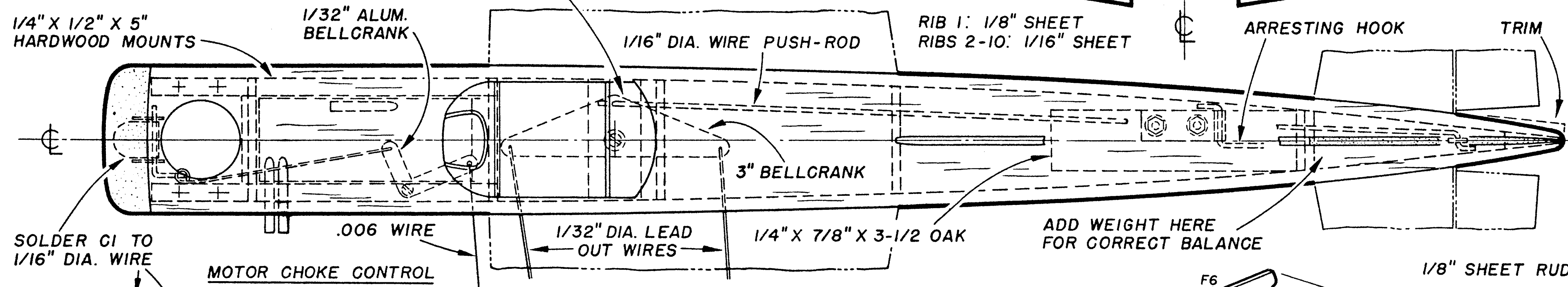


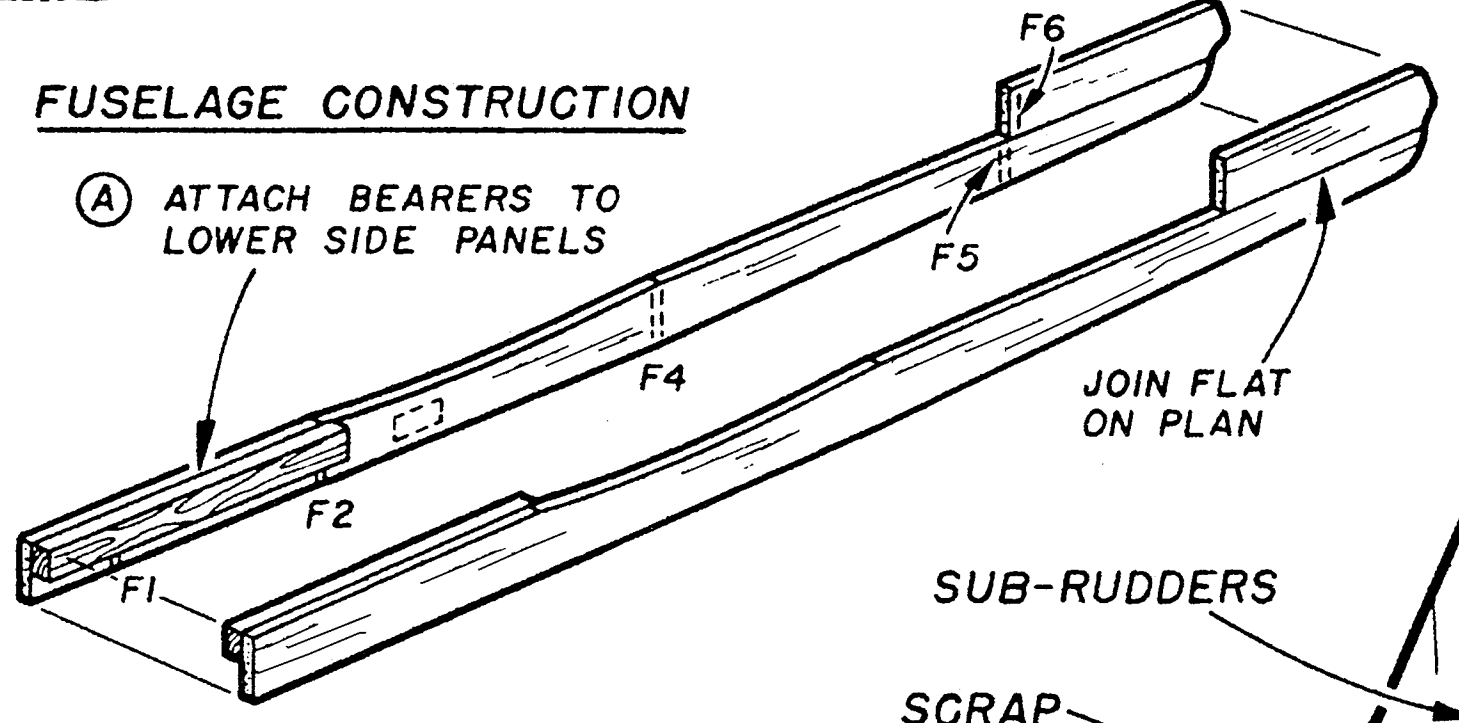
COWL BLOCK - 5/8" X 2-1/8" X 3-1/8"



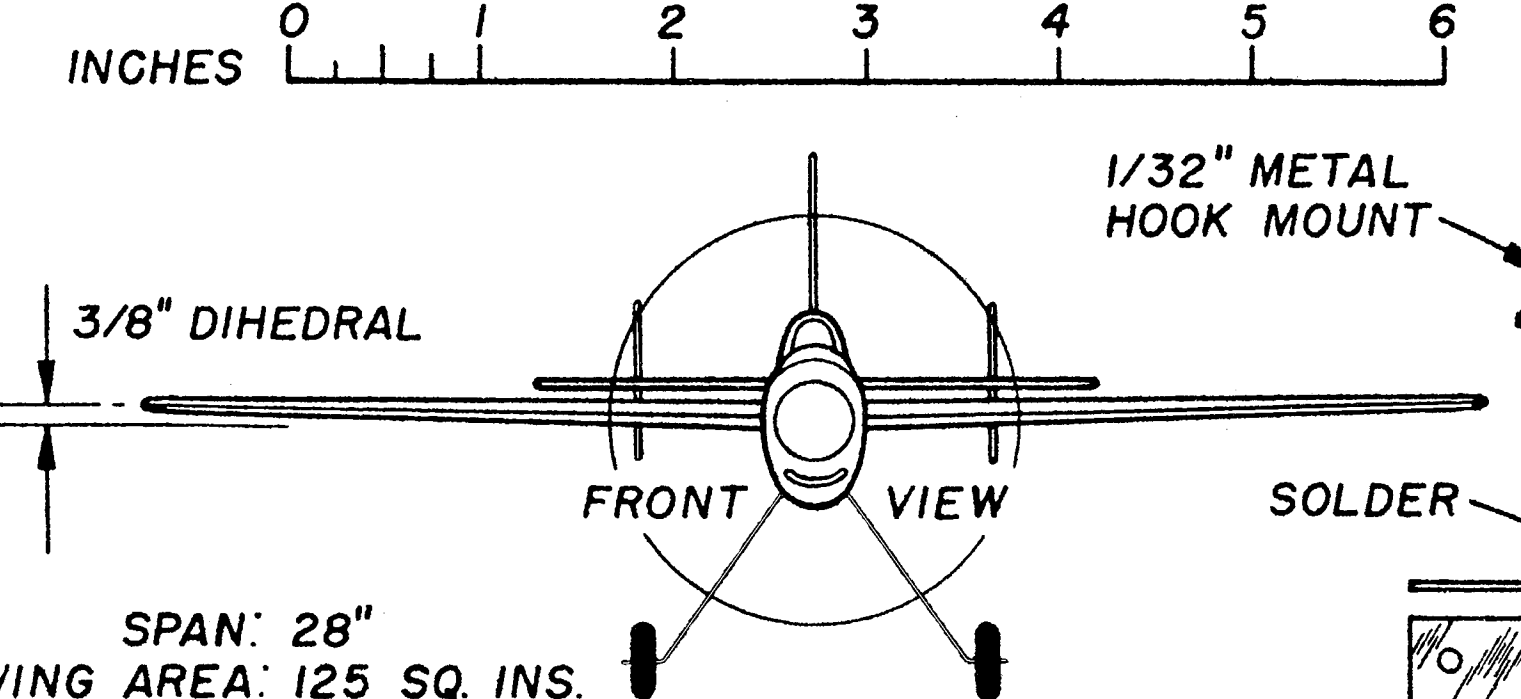
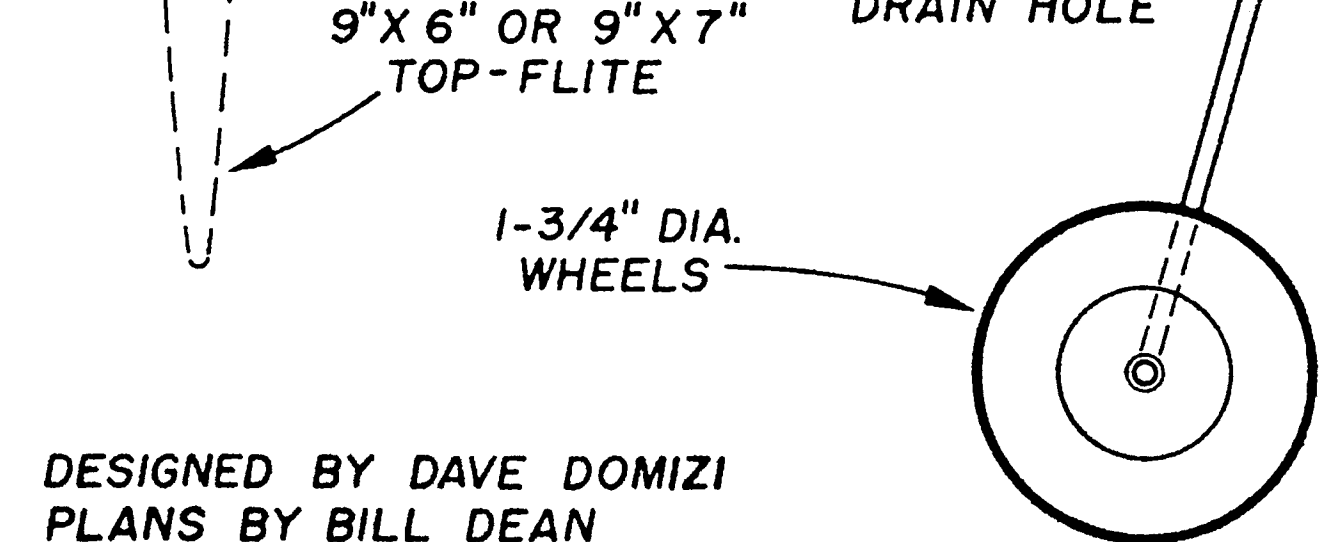
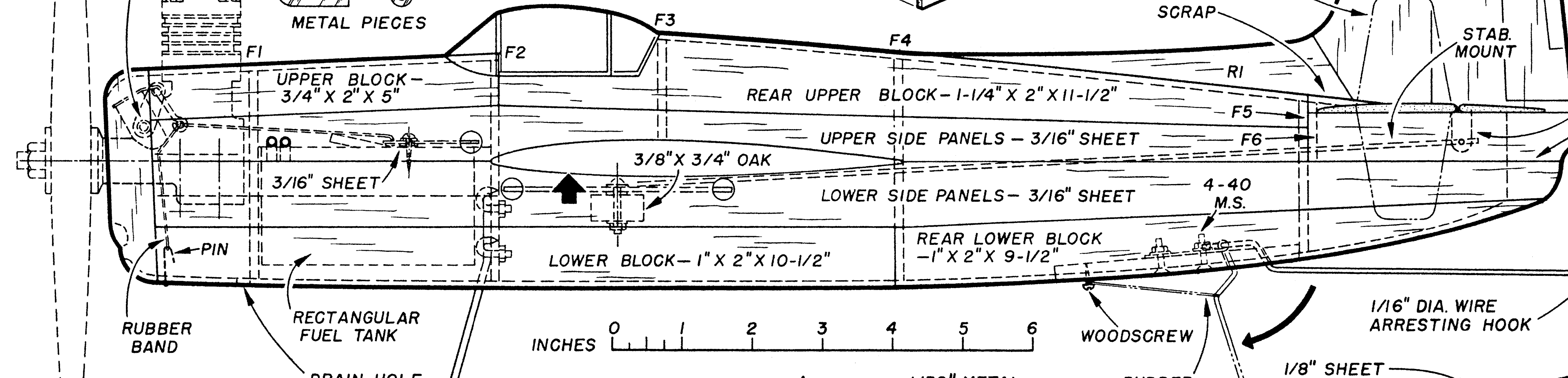
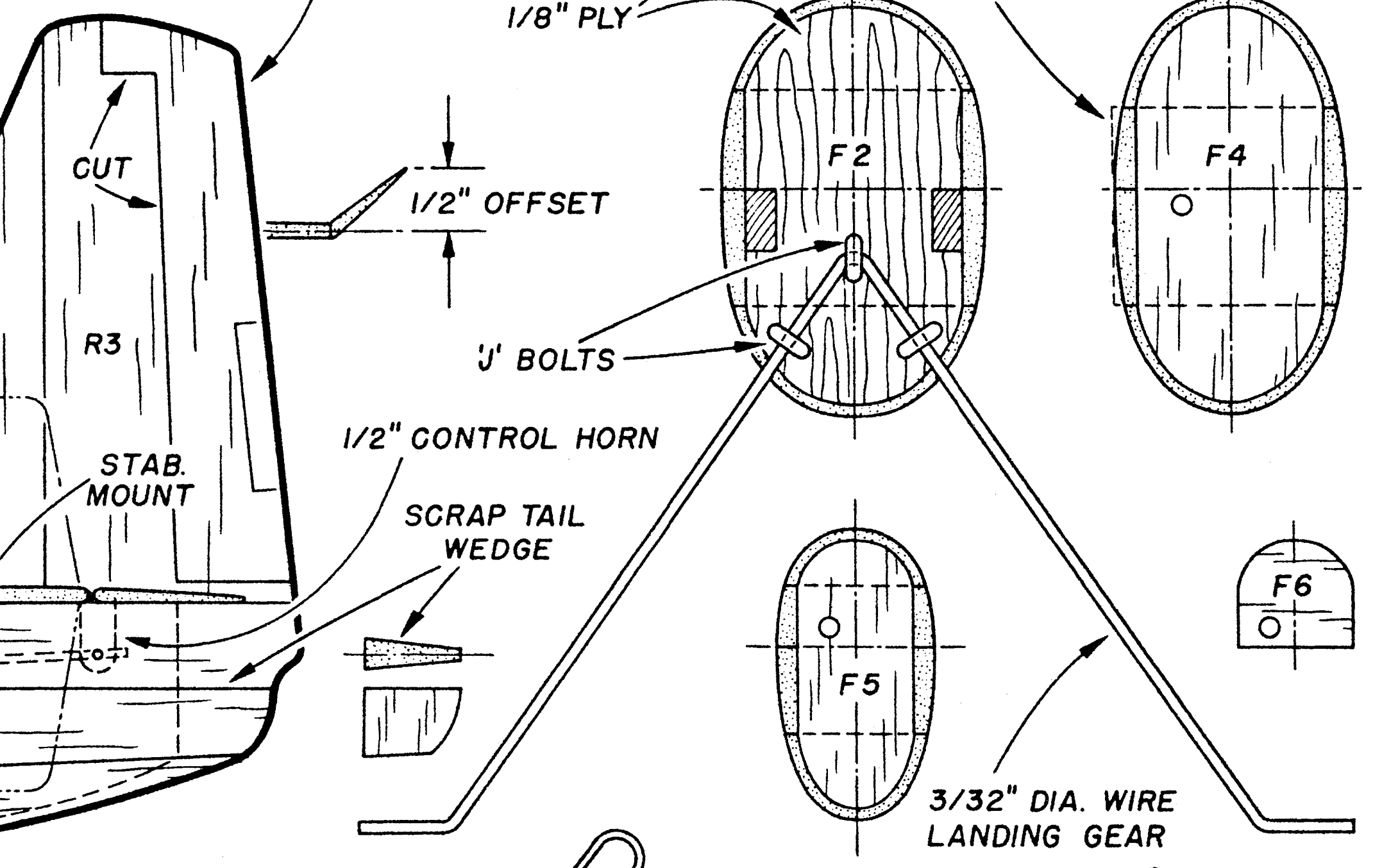
1/4" X 1/2" X 5" HARDWOOD MOUNTS



- FUSELAGE CONSTRUCTION**
- (A) ATTACH BEARERS TO LOWER SIDE PANELS
 - (B) JOIN SIDES WITH F1 AND F2
 - (C) PULL IN SIDES AT REAR AND ADD FORMERS F4, F5 AND F6
 - (D) INSTALL L.G., MOTOR, FUEL TANK, STAB. AND CONTROL SYSTEM
 - (E) ADD WING, F3, LEAD-OUT WIRES AND MOTOR CONTROL
 - (F) FIT UPPER SIDE PANELS - AND UPPER AND LOWER BLOCKS
 - (G) ADD COWL, ARRESTING HOOK ASSEMBLY AND RUDDER



1/8" SHEET RUDDER



DESIGNED BY DAVE DOMIZI
PLANS BY BILL DEAN

SPAN: 28"
WING AREA: 125 SQ. INS.