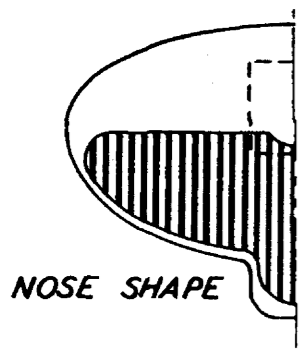
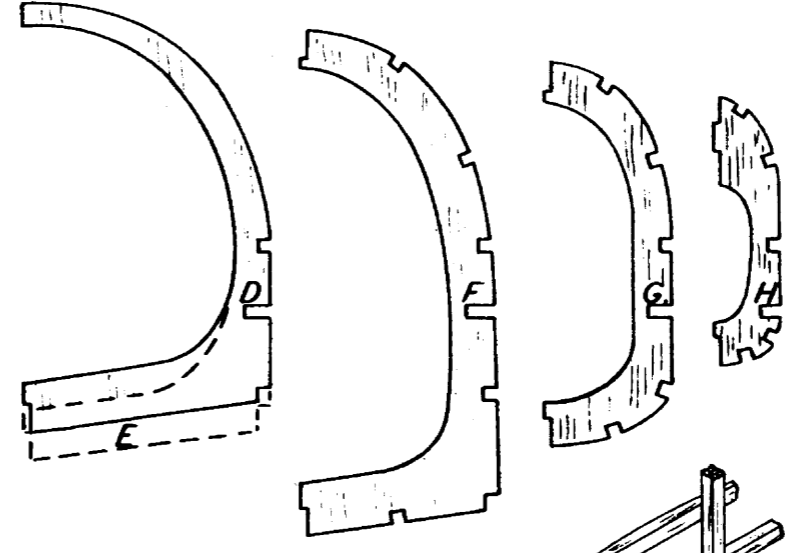


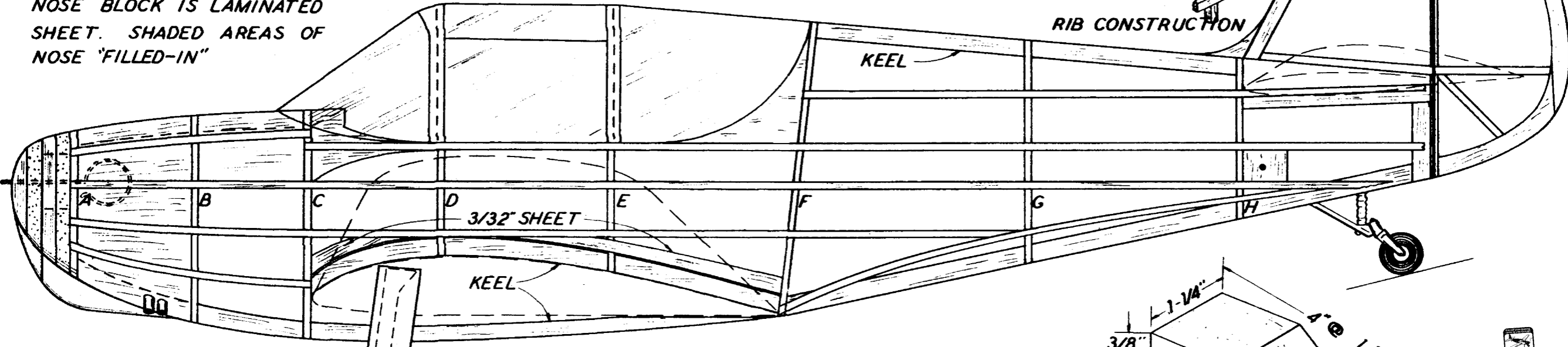
STABILIZER IS BUILT IN ONE PIECE, THEN CRACK & RAISE TIPS 7/16"

MANY STRINGERS NOT SHOWN ON FUSELAGE PLAN TO REVEAL 1/16" SHEET BALSA KEELS

FUSELAGE BULKHEADS A-H 1/16" SHEET BALSA. 2 EACH REQUIRED

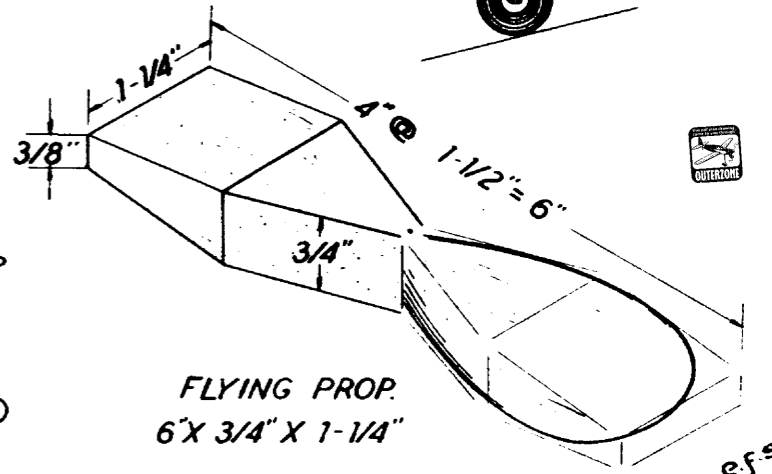
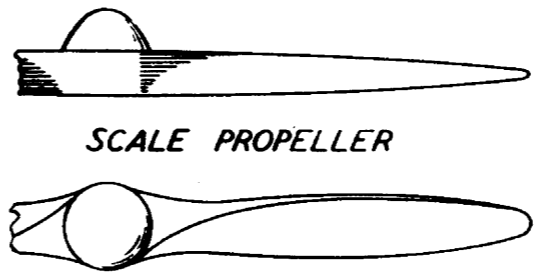


NOSE BLOCK IS LAMINATED SHEET. SHADED AREAS OF NOSE "FILLED-IN"



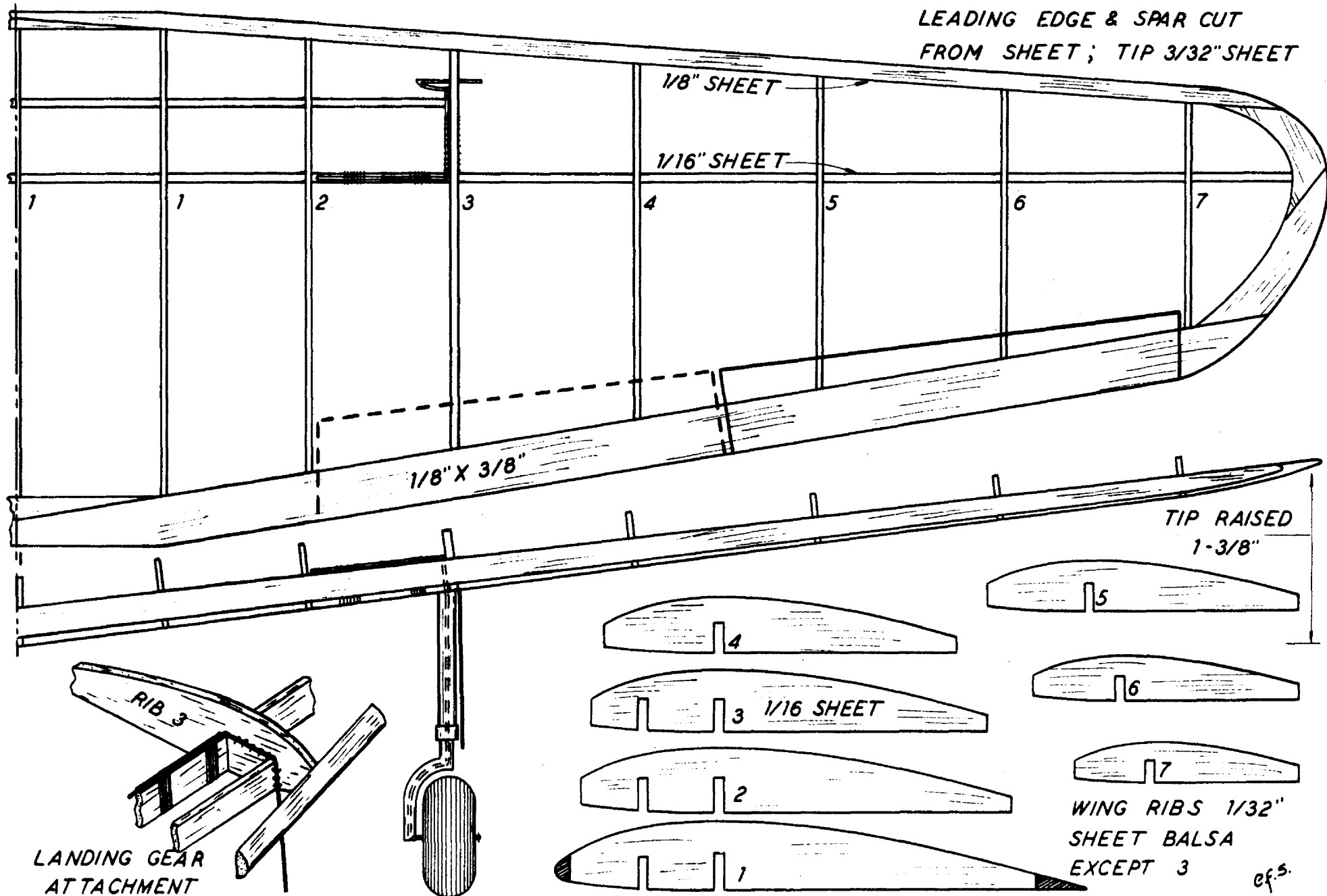
GLOBE "SWIFT" BY EARL-STAHLL

WING IS SHOWN IN BROKEN LINES; IT SLIPS THROUGH OPENING, IS CEMENTED FAST



e.f.s.

LEADING EDGE & SPAR CUT
FROM SHEET; TIP 3/32" SHEET



LANDING GEAR
ATTACHMENT

WING RIBS 1/32"
SHEET BALSA
EXCEPT 3

ef.s.