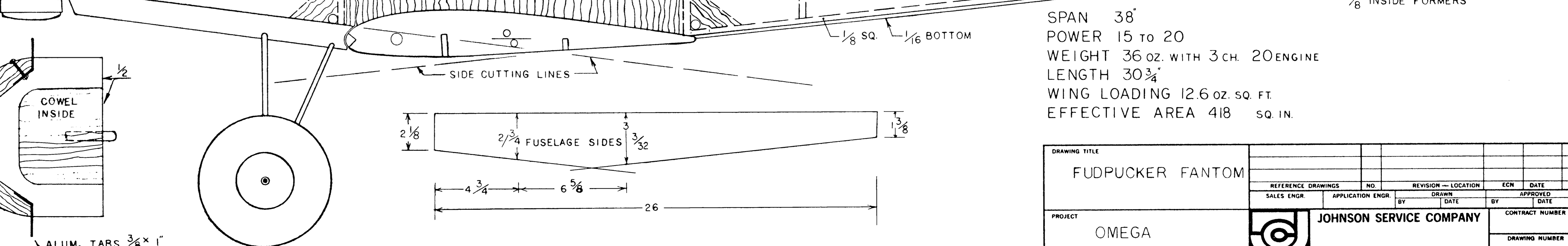
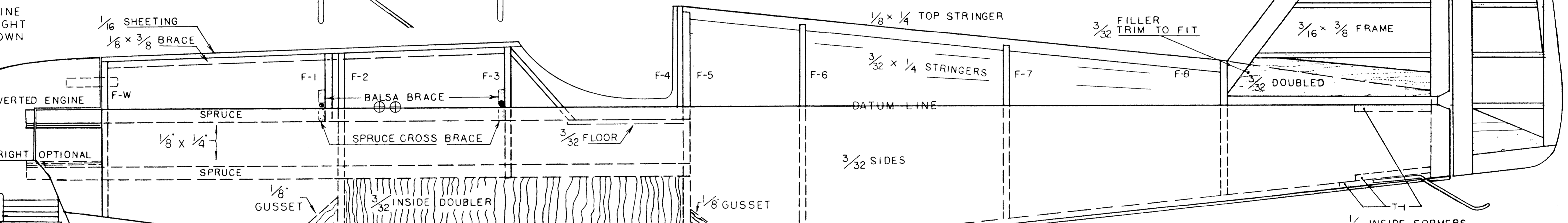
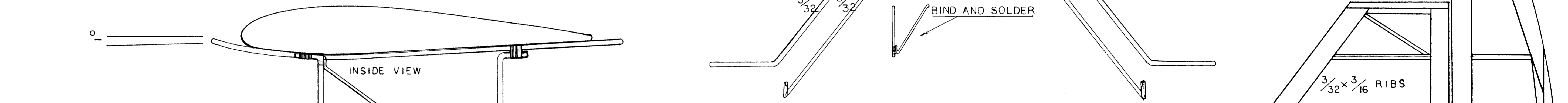
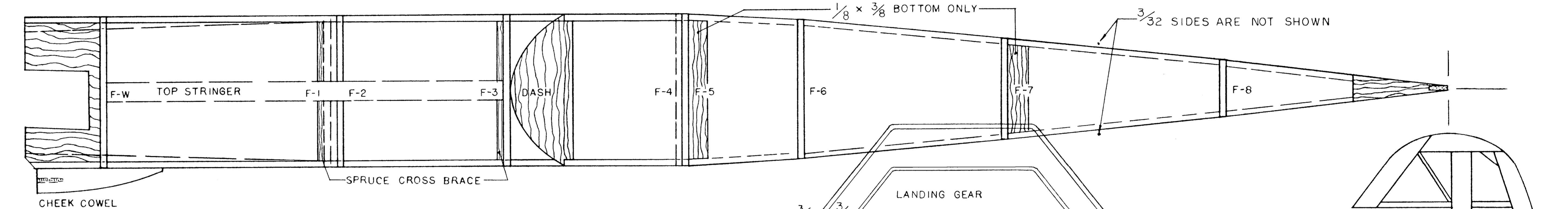
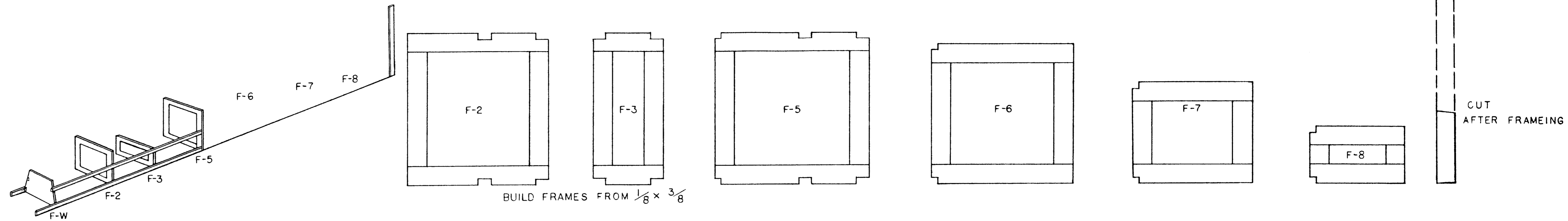
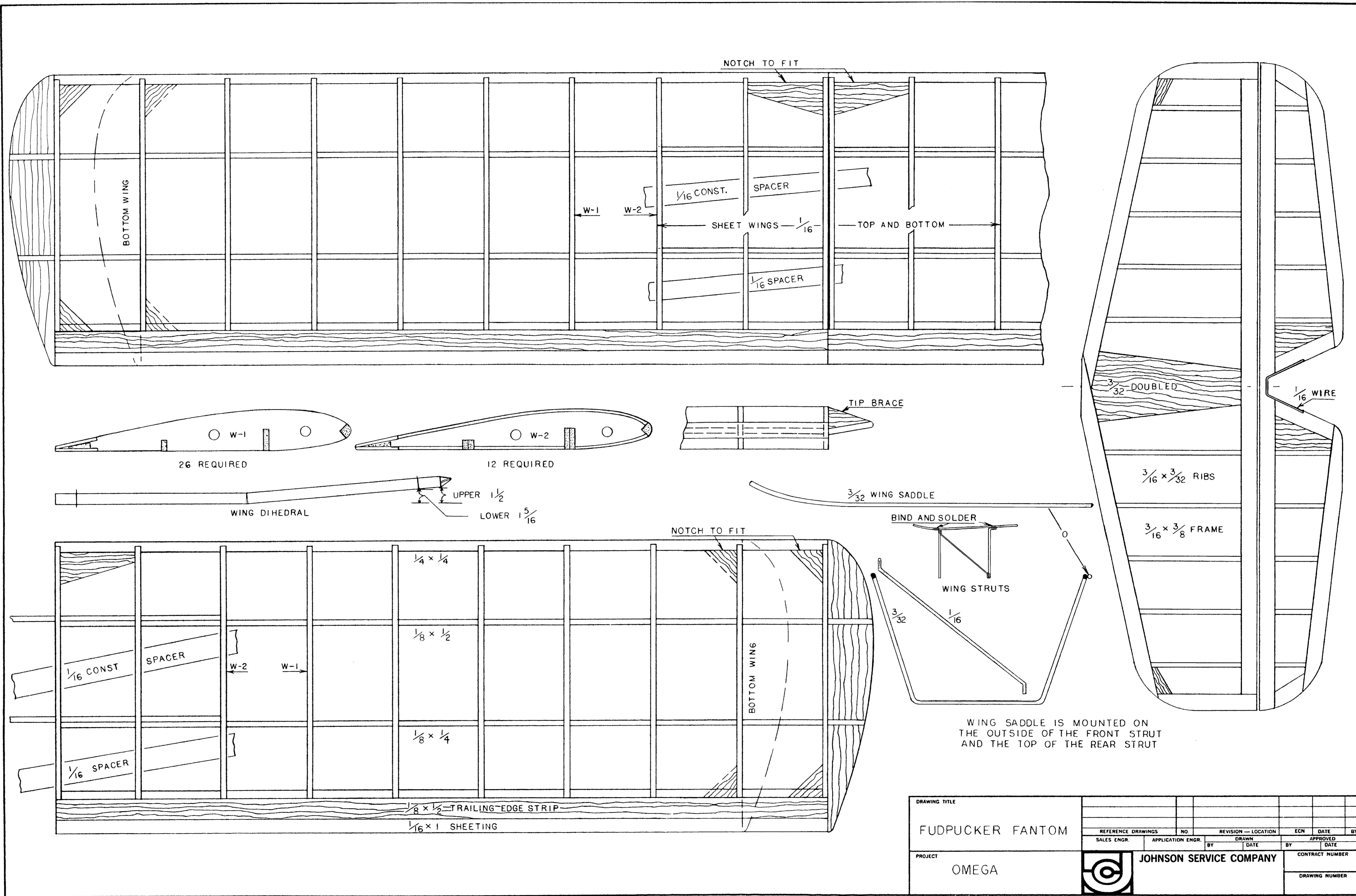
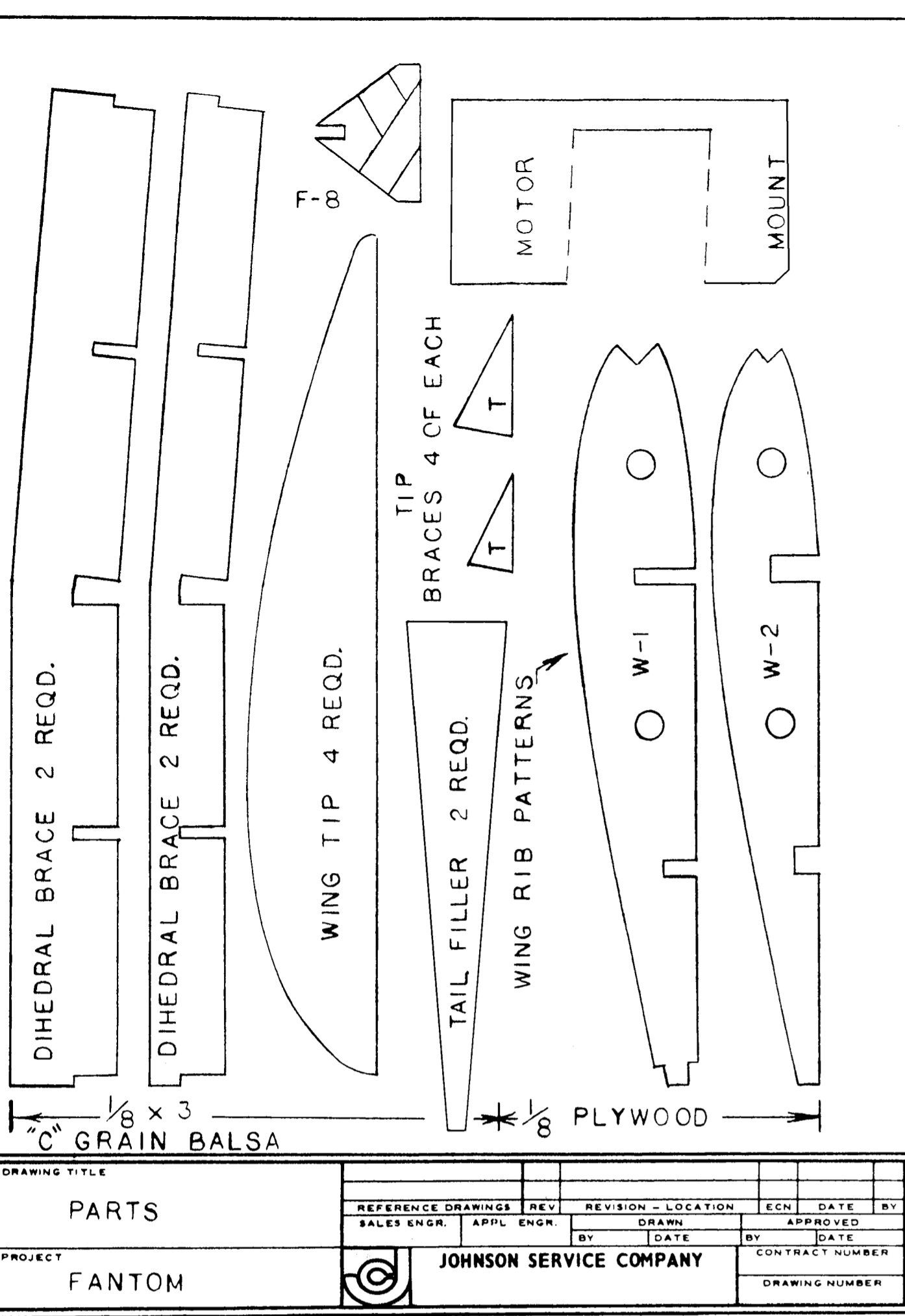


DRAWING TITLE	PARTS										
PROJECT	FANTCM										
REFERENCE DRAWINGS	REV	REVISION - LOCATION	ECN	DATE	BY	APPROVED	DATE	BY	DATE	CONTRACT NUMBER	DRAWING NUMBER
SALES ENGR.	APPL. ENGR.	BY	DATE	DATE	DATE	DATE	DATE	DATE	DATE	DATE	DATE
JOHNSON SERVICE COMPANY											



SPAN 38"
 POWER 15 to 20
 WEIGHT 36 oz. WITH 3 CH. 20 ENGINE
 LENGTH 30 3/4"
 WING LOADING 12.6 oz. SQ. FT.
 EFFECTIVE AREA 418 SQ. IN.

DRAWING TITLE	FUDPUCKER FANTOM										
PROJECT	OMEGA										
REFERENCE DRAWINGS	NO.	REVISION - LOCATION	ECN	DATE	BY	APPROVED	DATE	BY	DATE	CONTRACT NUMBER	DRAWING NUMBER
SALES ENGR.	APPLICATION ENGR.	BY	DATE	DATE	DATE	DATE	DATE	DATE	DATE	DATE	DATE
JOHNSON SERVICE COMPANY											



DRAWING TITLE	REFERENCE DRAWINGS	NO.	REVISION - LOCATION	ECN	DATE	BY
FUDPUCKER FANTOM	SALES ENGR.	APPLICATION ENGR.	DATE	DATE	DATE	DATE
PROJECT	JOHNSON SERVICE COMPANY					
OMEGA	DRAWING NUMBER					