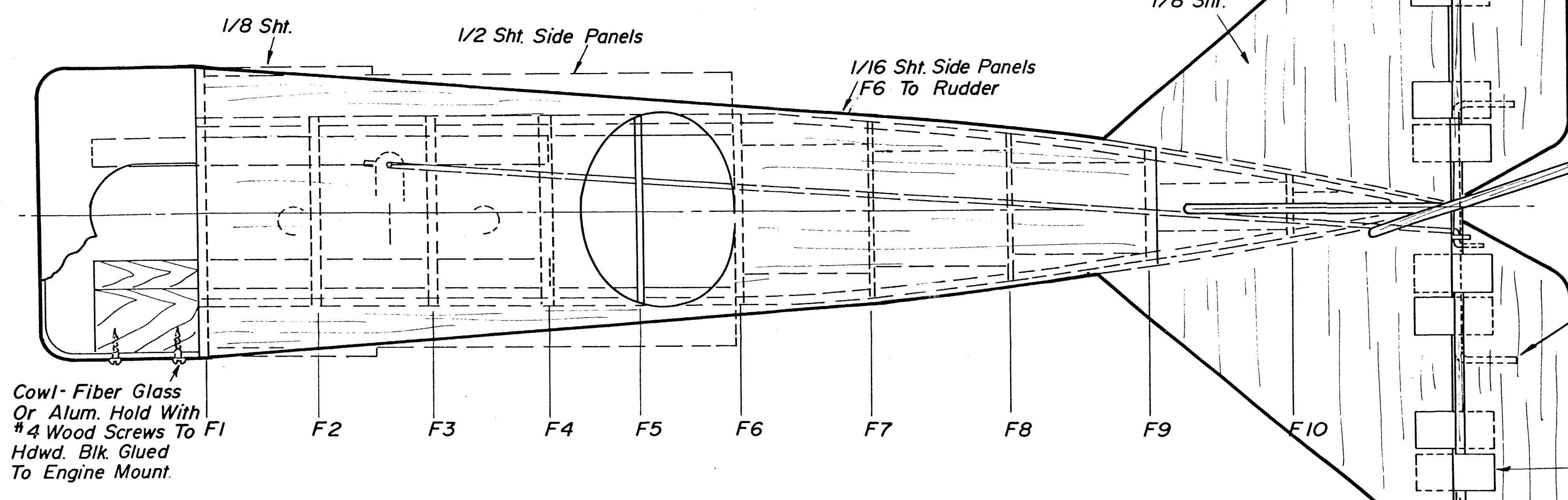
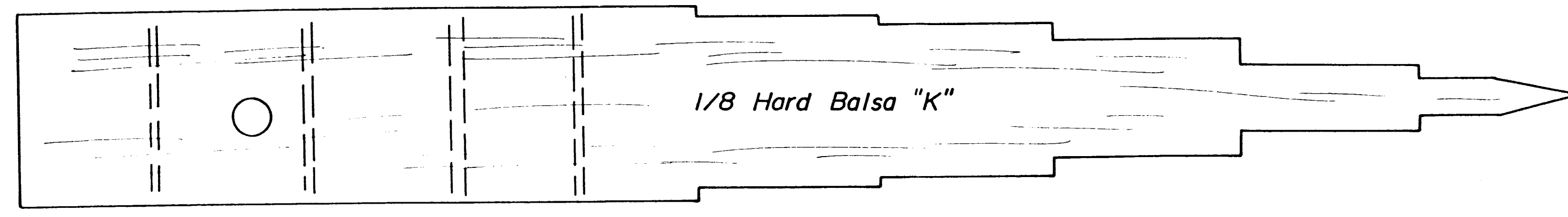
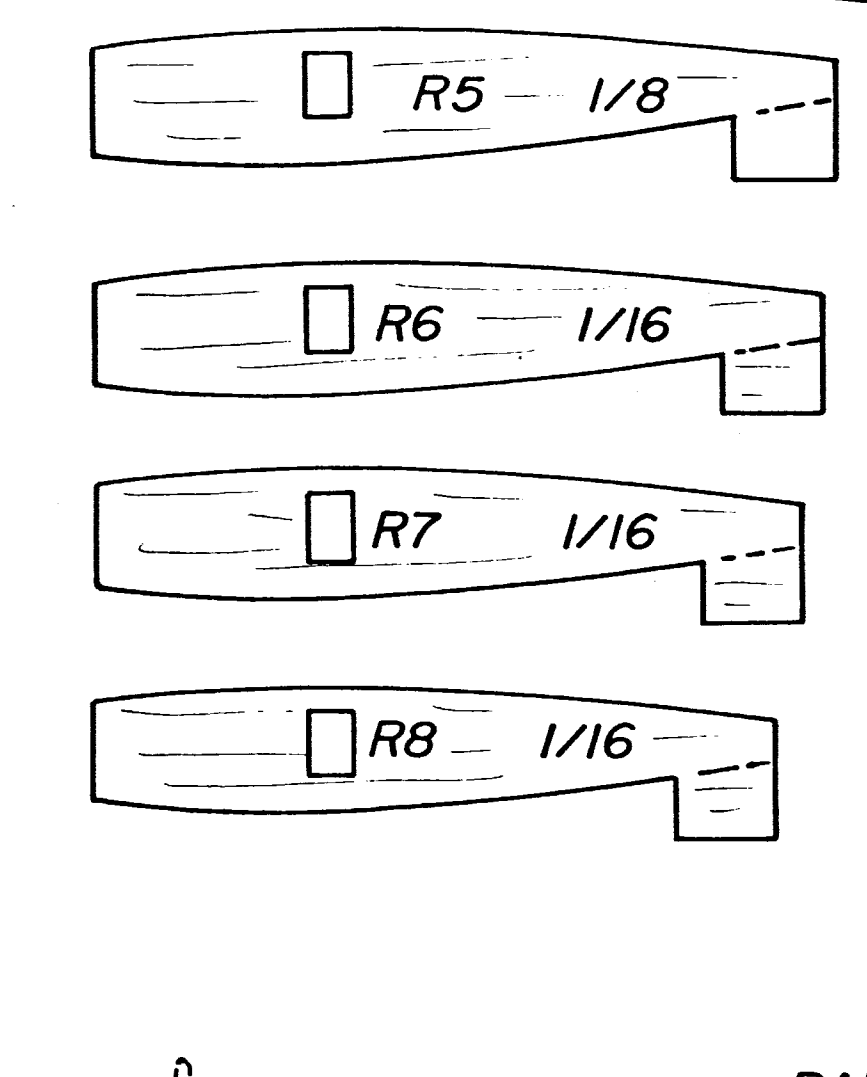
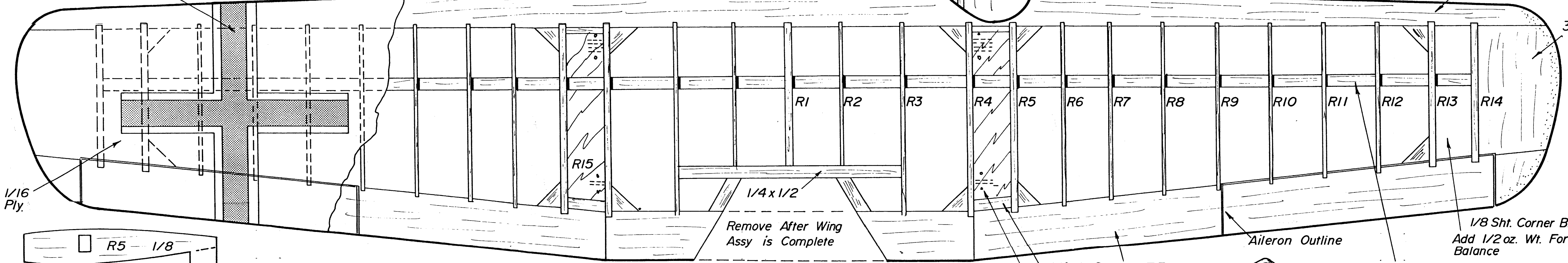


Mark Position Of Formers F2,3,4, & 5

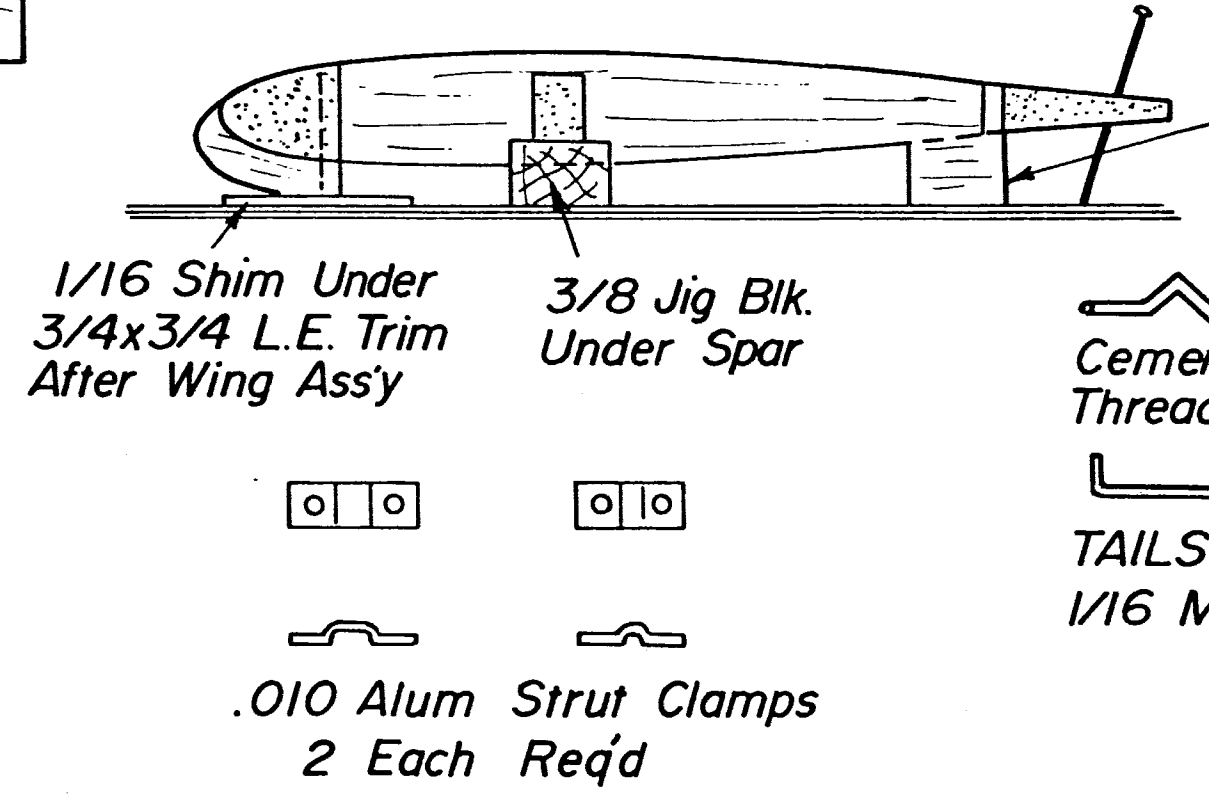


Cowl- Fiber Glass Or Alum. Hold With #4 Wood Screws To F1 Hdw. Blk. Glued To Engine Mount

4 1/2" Insignia Top & Bottom

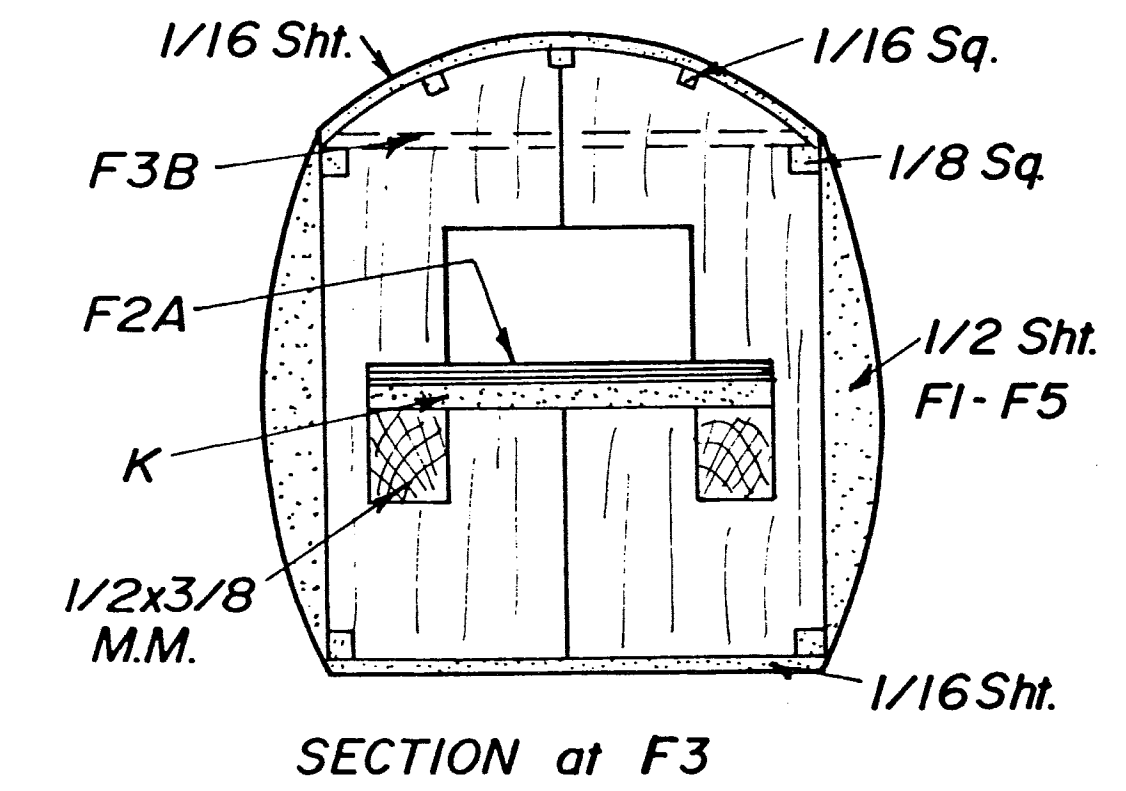
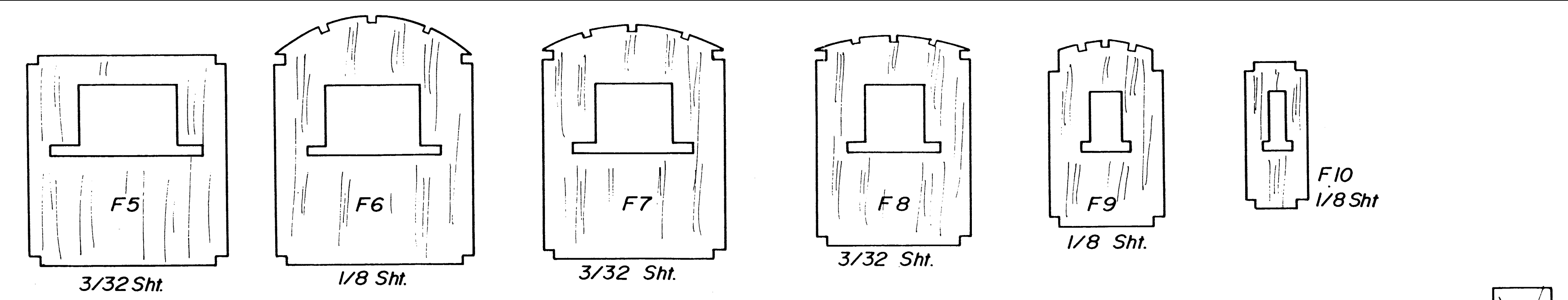


METHOD OF WING ASSY

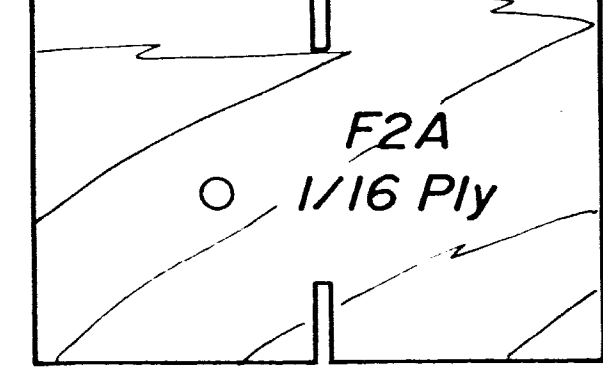
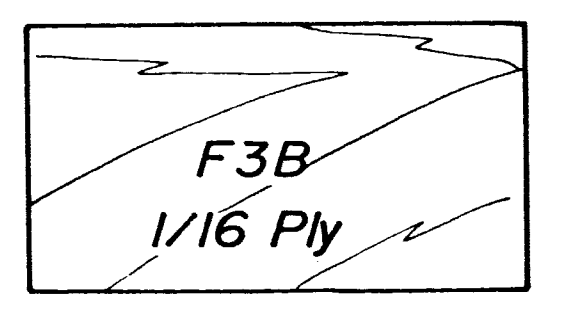
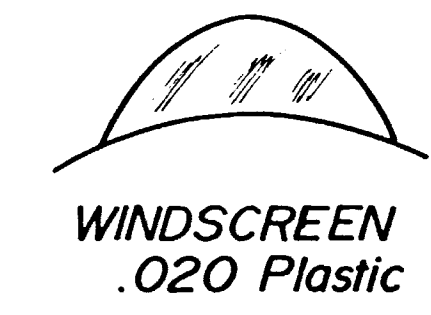


Place Jig Feet Of Rib On Surface - Pin T.E. In Place
Cement & Wrap With Thread To K Here
TAILSKID 1/16 M.W.

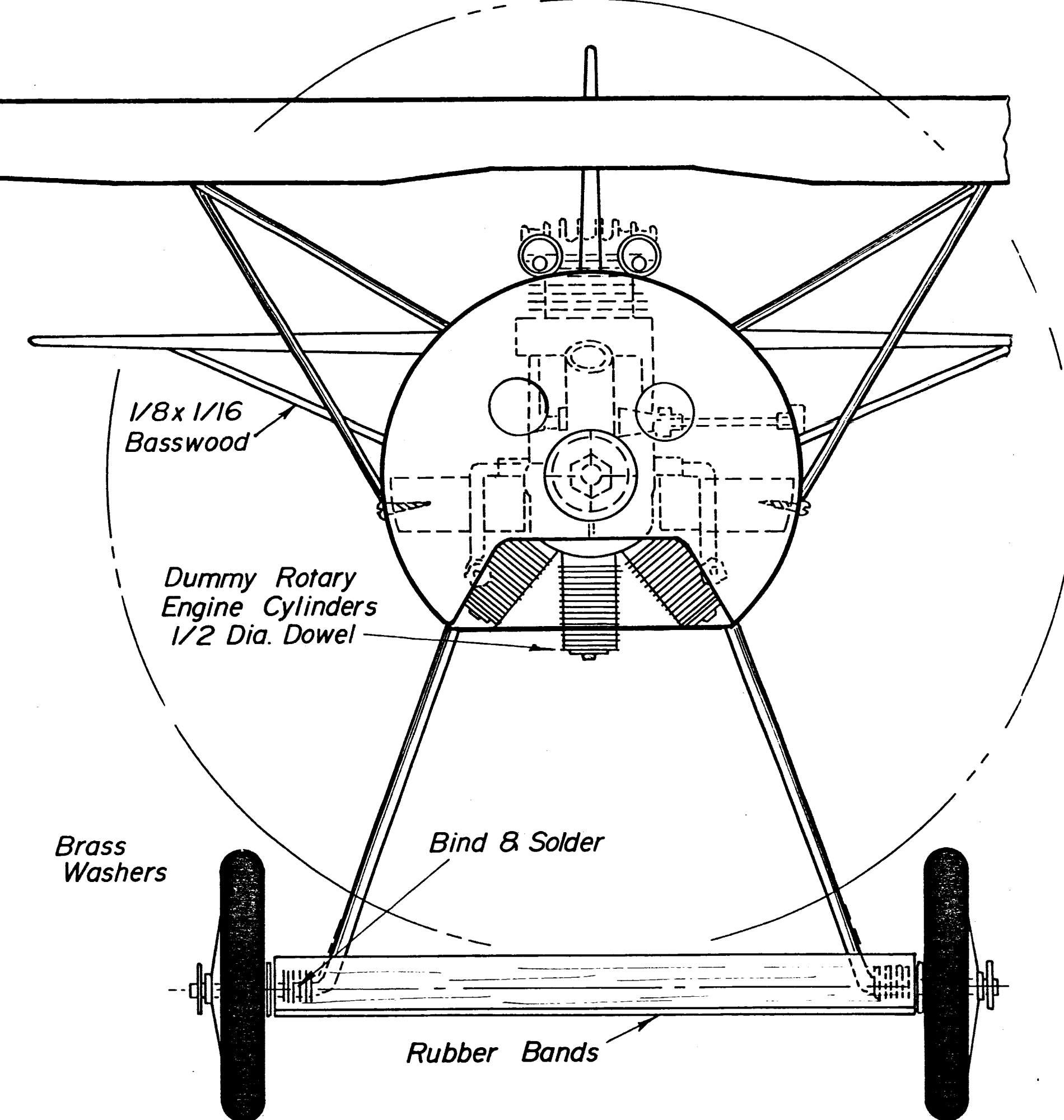
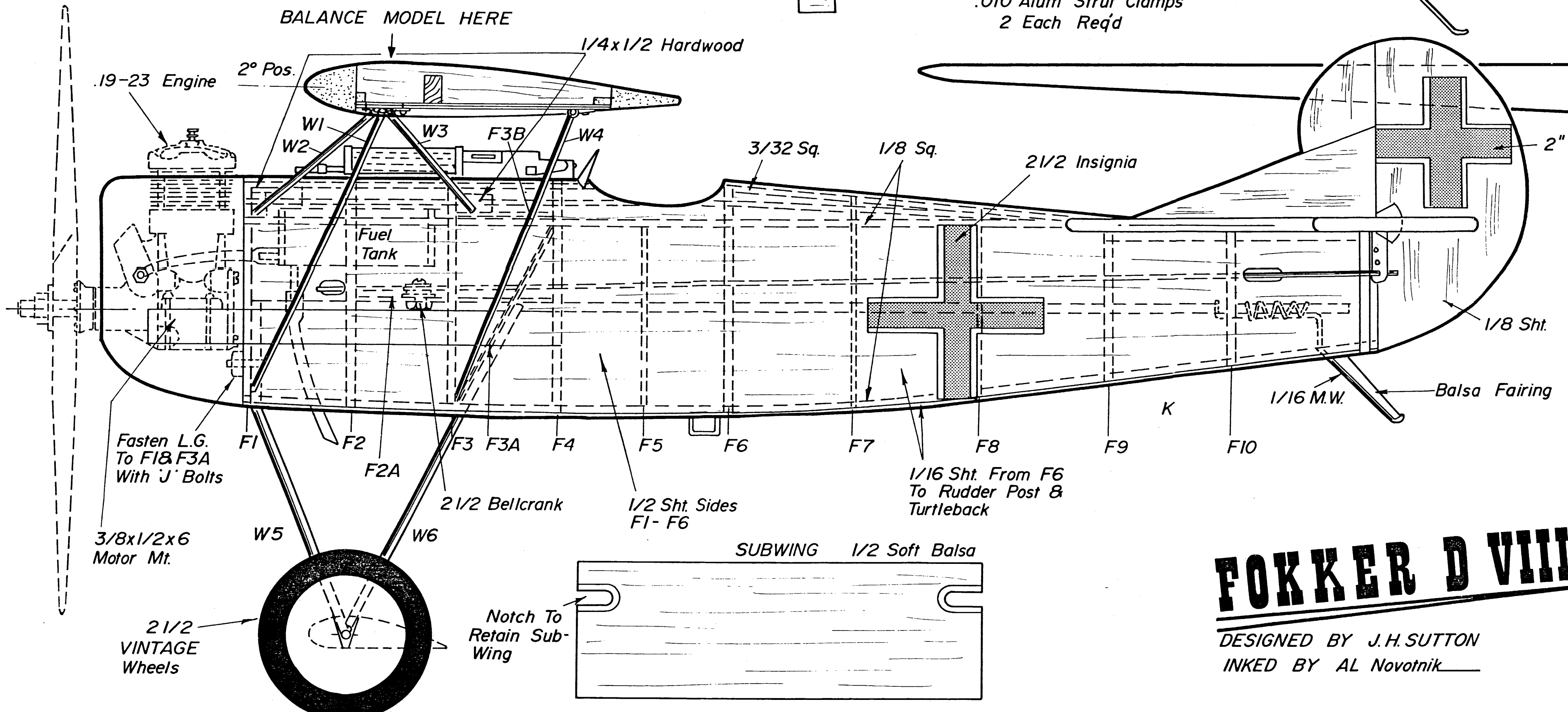
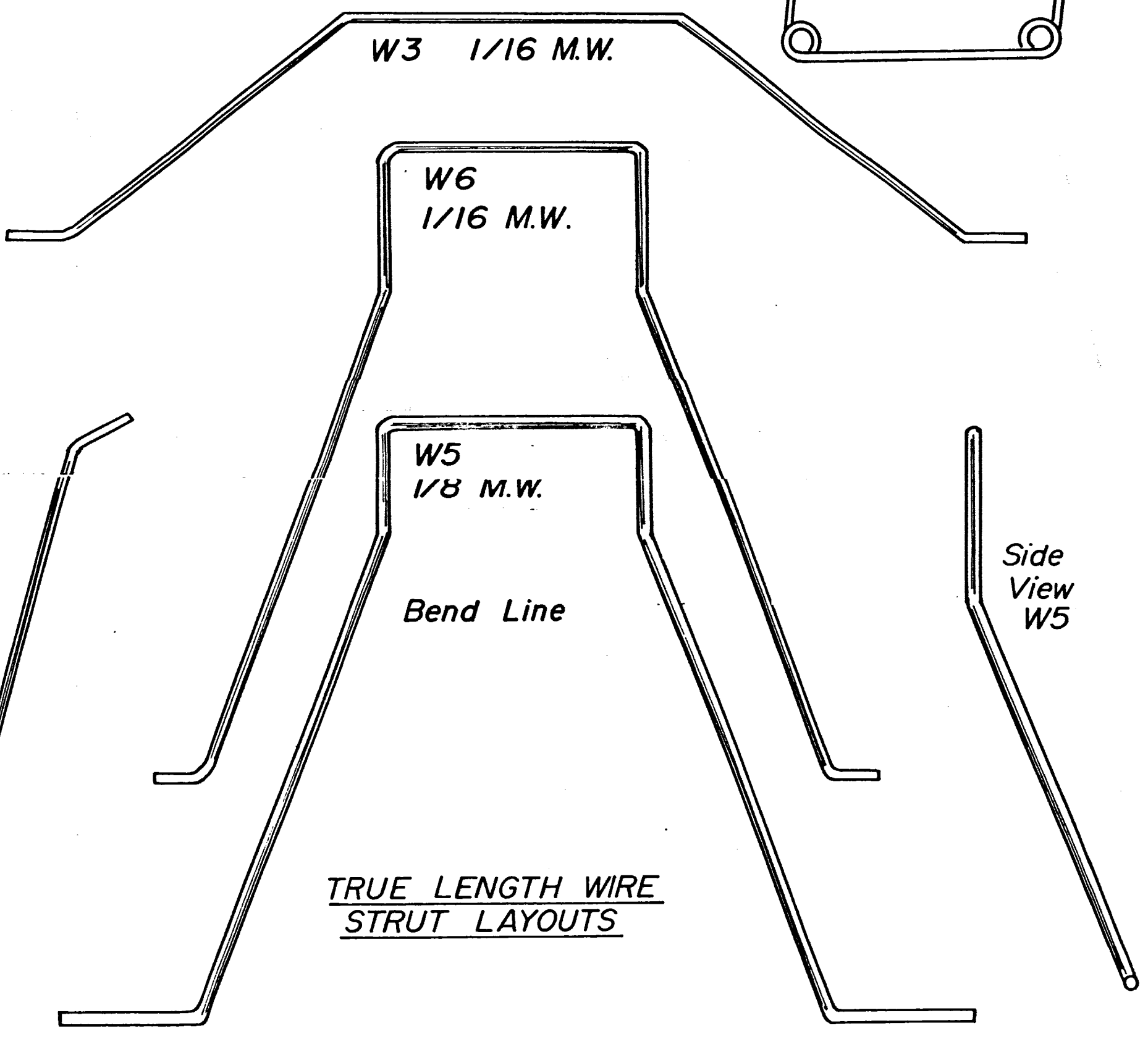
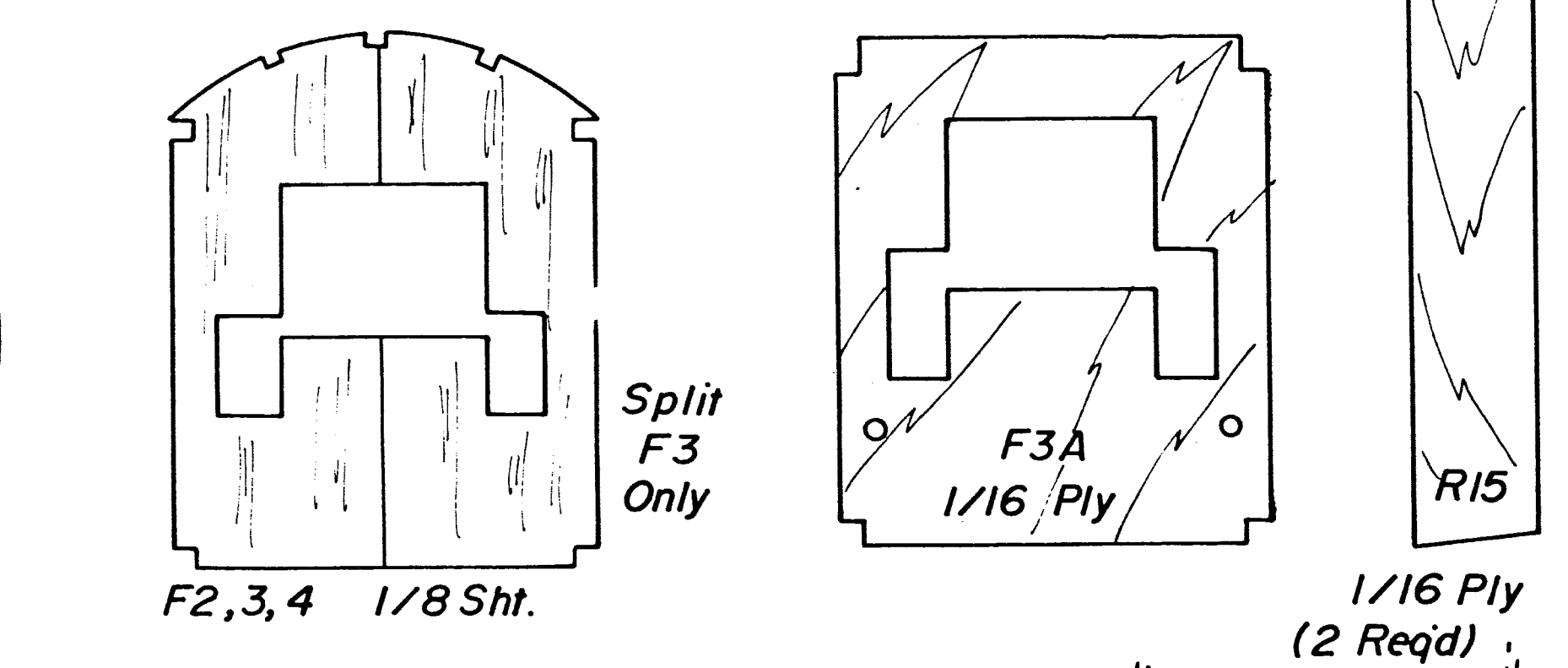
SPANDAUM MACHINE GUN (2 REQ'D) Make From Scrap Balsa & Dowel



Hdw. Block To Secure Upper Wing Struts (2) 1/4x1/2x1



Wing Tip Line Guide 3/64 Music Wire Bend Ends After Inserting Thru Ply Panel In Left Wing Tip & Cement Well



FOKKER D VIII
DESIGNED BY J.H. SUTTON
INKED BY AL Novotnik